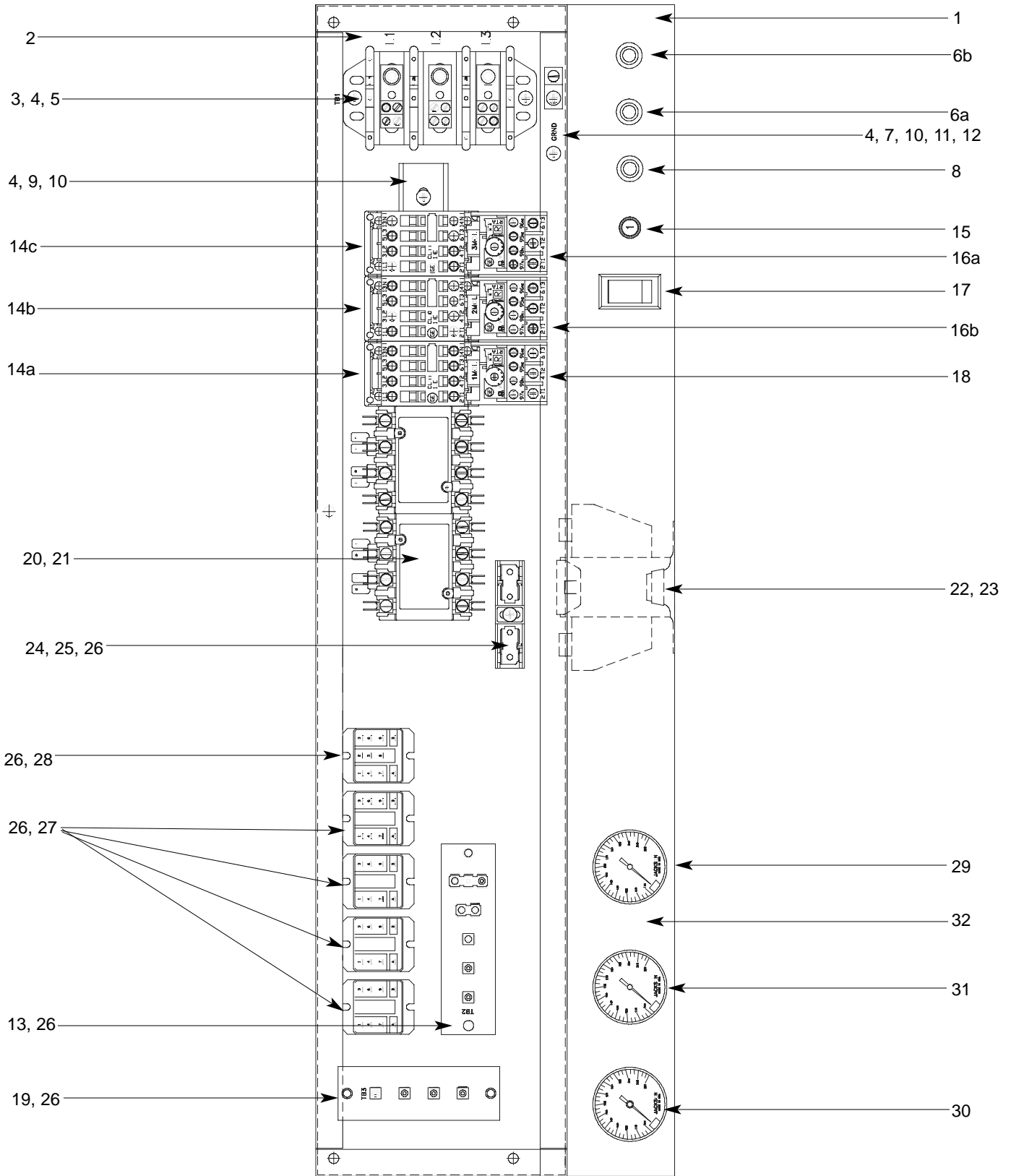

SECTION 5: PARTS SECTION

SECTION 5: PARTS SECTION

AJ-64 CONTROL BOX ASSEMBLY



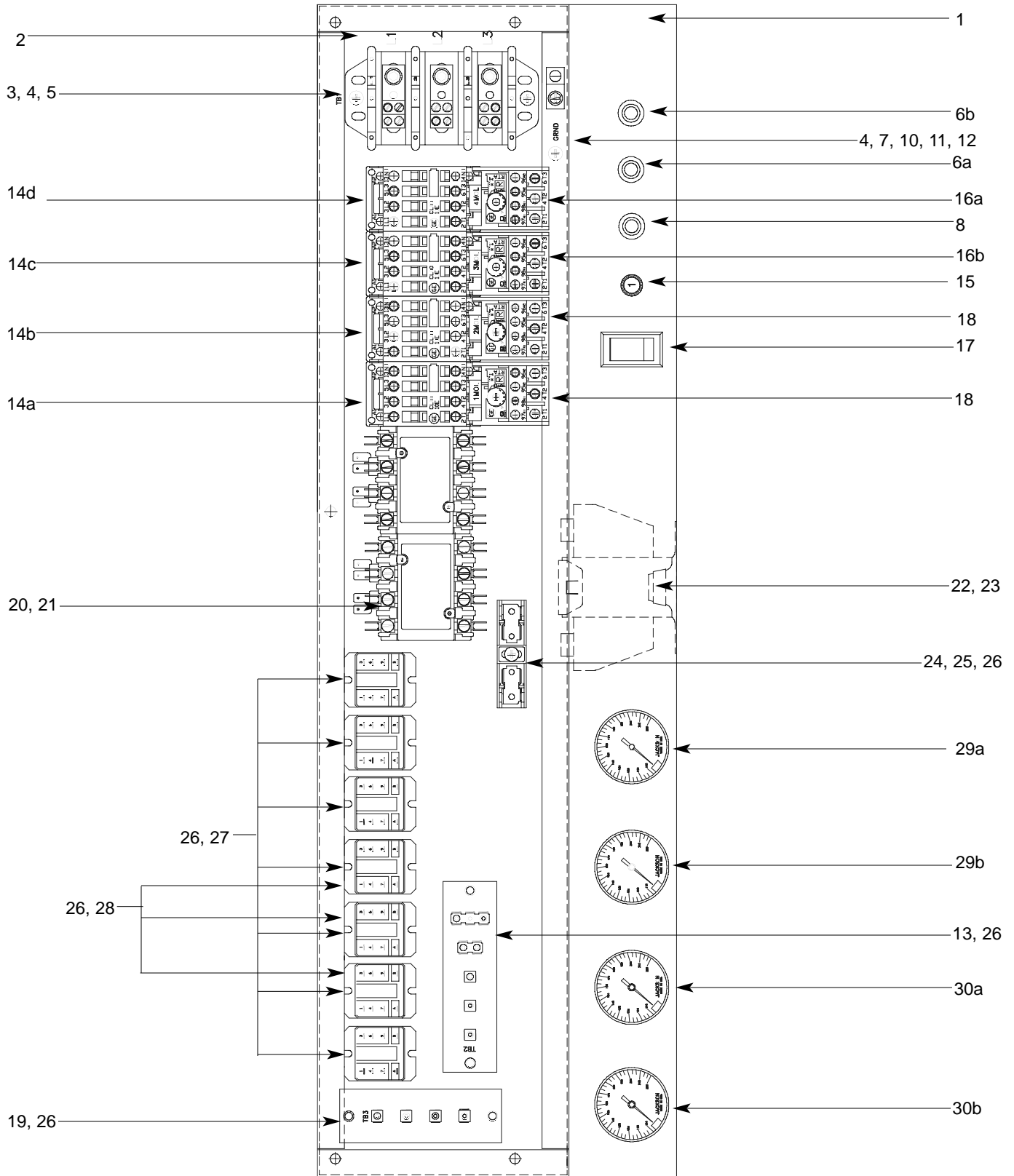
SECTION 5: PARTS SECTION
AJ-64 CONTROL BOX ASSEMBLY (CONTINUED)

ITEM	QTY	DESCRIPTION	Mfg. No.
1	1	Electrical Box Weldment	05700-041-88-50
2	1	Decal, L1-L2-L3	09905-101-12-66
3	1	Terminal Block	05940-011-48-27
4	6	Lockwasher, #10	05311-273-02-00
5	2	Screw, 10-32 x 3/4" Long Phillips Trusshead	05305-011-62-17
6a	1	Light, Amber (Wash Heater Overload) (Not used on steam or gas models)	05945-111-44-44
6b	1	Light, Amber (Rinse Heater Overload) (Not used on steam or gas models)	05945-111-44-44
7	1	Wire Lug, 2 AWG to 14 AWG	05940-200-76-00
8	1	Light, Red (Power)	05945-111-44-45
9	1	Din Rail	05700-021-72-75
10	3	Screw, 10-32 x 1/2" Long Phillips Trusshead	05305-011-39-36
11	1	Washer, Flat, 1/4"	05311-174-01-00
12	1	Decal, Ground	09905-011-86-86
13	1	Terminal Board	05940-002-78-97
14a	1	Drive Motor Contactor	05945-111-68-38
14b	1	Wash Pump Motor Contactor	05945-111-68-38
14c	1	Recirculating Rinse Pump Motor Contactor	05945-111-68-38
15	1	Circuit Breaker (208 & 230 volt models only)	05925-011-68-34
16a	1	Recirculating Rinse Pump Motor Overload (See motor overloads chart)	N/A
16b	1	Wash Pump Motor Overload (See motor overloads chart)	N/A
17	1	Switch, ON/FILL & OFF/DRAIN	05930-011-49-55
18	1	Drive Motor Overload (See motor overloads chart)	N/A
19	1	Terminal Board	05940-021-89-41
20	2	Heater Contactor (Not available on steam or gas models)	05945-002-24-70
21	2	Screw, 10-32 x 3/8" Long Phillips Trusshead	05305-173-12-00
22	1	Transformer	05950-011-68-35
23	4	Locknut, 10-24 with Nylon Insert	05310-373-01-00
24	1	Fuse Holder (460 volt models only)	05920-011-72-89
25	1	Fuse (460 volt models only)	05920-011-72-88
26	12	Screw, 6-32 x 3/8" Long Phillipshead	05305-171-02-00
27	4	Control Relay, 2 Pole	05945-111-35-19
28	1	Relay, 3 Pole	05945-111-72-51
29	1	Rinse Thermometer	06685-111-68-49
		Decal, Rinse 180°F	09905-002-97-62
30	1	Wash Thermometer	06685-111-87-13
		Decal, Wash 150°F	09905-002-97-61
31	1	Power Rinse Thermometer	06685-111-87-13
		Decal, Power Rinse 160°F	09905-003-01-31
32	1	Decal, Gauge	09905-021-82-65

Items not shown:

Grommet, 1/2" OD x 3/8" ID	05325-011-46-73
Bushing, Heyco SB100	05975-210-09-00
Plug, Heyco 2700 G-875	05975-011-47-81
Control Box Cover	05700-031-66-88
Control Box Cover Hinge Weldment	05700-021-68-57
Control Hinge Rod	05700-011-68-58
MANUAL/DELIME Switch (Located on rear of control box)	05930-301-22-18
MANUAL/DELIME Decal	09905-011-74-61
Copper Conductors Only Decal	09905-011-47-35
Control Box Leg	05700-011-71-47

SECTION 5: PARTS SECTION
AJ-86 & AJ-100 CONTROL BOX ASSEMBLY



SECTION 5: PARTS SECTION

AJ-86 & AJ-100 CONTROL BOX ASSEMBLY (CONTINUED)

ITEM	QTY	DESCRIPTION	Mfg. No.
1	1	Electrical Box Weldment	05700-041-88-50
2	1	Decal, L1-L2-L3	09905-101-12-66
3	1	Terminal Block	05940-011-48-27
4	6	Lockwasher, #10	05311-273-02-00
5	2	Screw, 10-32 x 3/4" Long Phillips Trusshead	05305-011-62-17
6a	1	Light, Amber (Wash Heater Overload) (Not used on steam or gas models)	05945-111-44-44
6b	1	Light, Amber (Rinse Heater Overload) (Not used on steam or gas models)	05945-111-44-44
7	1	Wire Lug, 2 AWG to 14 AWG	05940-200-76-00
8	1	Light, Red (Power)	05945-111-44-45
9	1	Din Rail	05700-021-94-96
10	3	Screw, 10-32 x 1/2" Long Phillips Trusshead	05305-011-39-36
11	1	Washer, Flat, 1/4"	05311-174-01-00
12	1	Decal, Ground	09905-011-86-86
13	1	Terminal Board	05940-002-78-97
14a	1	Drive Motor Contactor	05945-111-68-38
14b	1	Wash Pump Motor Contactor	05945-111-68-38
14c	1	Recirculating Rinse Pump Motor Contactor	05945-111-68-38
14d	1	Prewash Pump Motor Contactor	05945-111-68-38
15	1	Circuit Breaker (208 & 230 volt models only)	05925-011-68-34
16a	1	Recirculating Rinse Pump Motor Overload (See motor overloads chart)	N/A
16b	1	Wash Pump Motor Overload (See motor overloads chart)	N/A
17	1	Switch, ON/FILL & OFF/DRAIN	05930-011-49-55
18	1	Drive Motor Overload (See motor overloads chart)	N/A
19	1	Terminal Board	05940-021-89-41
20	2	Heater Contactor (Not available on seam models)	05945-002-24-70
21	2	Screw, 10-32 x 3/8" Long Phillips Trusshead	05305-173-12-00
22	1	Transformer	05950-011-68-35
23	4	Locknut, 10-24 with Nylon Insert	05310-373-01-00
24	1	Fuse Holder (460 volt models only)	05920-011-72-89
25	1	Fuse (460 volt models only)	05920-011-72-88
26	12	Screw, 6-32 x 3/8" Long Phillipshead	05305-171-02-00
27	7	Control Relay, 2 Pole (5 for Gas models, 1 not shown)	05945-111-35-19
28	3	Relay, 3 Pole (Gas models only)	05945-111-72-51
29a	1	Rinse Thermometer, 96" (L-R & R-L models)	06685-111-68-49
		Decal, Rinse 180°F	09905-002-97-62
29b	1	Power Rinse Thermometer, 96" (L-R models)	06685-111-68-49
29b	1	Power Rinse Thermometer, 120" (R-L models)	06685-111-87-13
		Decal, Power Rinse 160°F	09905-003-01-31
30a	1	Wash Thermometer, 120" (L-R models)	06685-111-87-13
30a	1	Wash Thermometer, 96" (R-L models)	06685-111-68-49
		Decal, Wash 150°F	09905-002-97-61
30b	1	Prewash Thermometer, 120" (L-R & R-L models)	06685-111-87-13
31	1	Power Rinse Thermometer	06685-111-87-13
		Decal, Power Rinse 160°F	09905-003-01-31
32	1	Decal, Gauge	09905-021-82-65
Items not shown:			
		Grommet, 1/2" OD x 3/8" ID	05325-011-46-73
		Bushing, Heyco SB100	05975-210-09-00
		Plug, Heyco 2700 G-875	05975-011-47-81
		Control Box Cover	05700-031-66-88
		Control Box Cover Hinge Weldment	05700-021-68-57
		Control Hinge Rod	05700-011-68-58
		MANUAL/DELIME Switch (Located on rear of control box)	05930-301-22-18
		MANUAL/DELIME Decal	09905-011-74-61
		Copper Conductors Only Decal	09905-011-47-35
		Control Box Leg	05700-011-71-47

SECTION 5: PARTS SECTION
MOTOR OVERLOADS

AJ-64 SERIES MOTOR OVERLOAD CHART:

	<u>208-230V/60 HZ/1 PHASE</u>	<u>208-230V/60 HZ/3 PHASE</u>	<u>460V/60 HZ/3 PHASE</u>
Drive Motor	Not Applicable	05945-111-68-39	05945-111-69-12
PreWash Motor	Not Applicable	Not Applicable	Not Applicable
Wash Motor	Not Applicable	05945-111-68-40	05945-111-68-41
Power Rinse Motor	Not Applicable	05945-111-68-40	05945-111-68-41

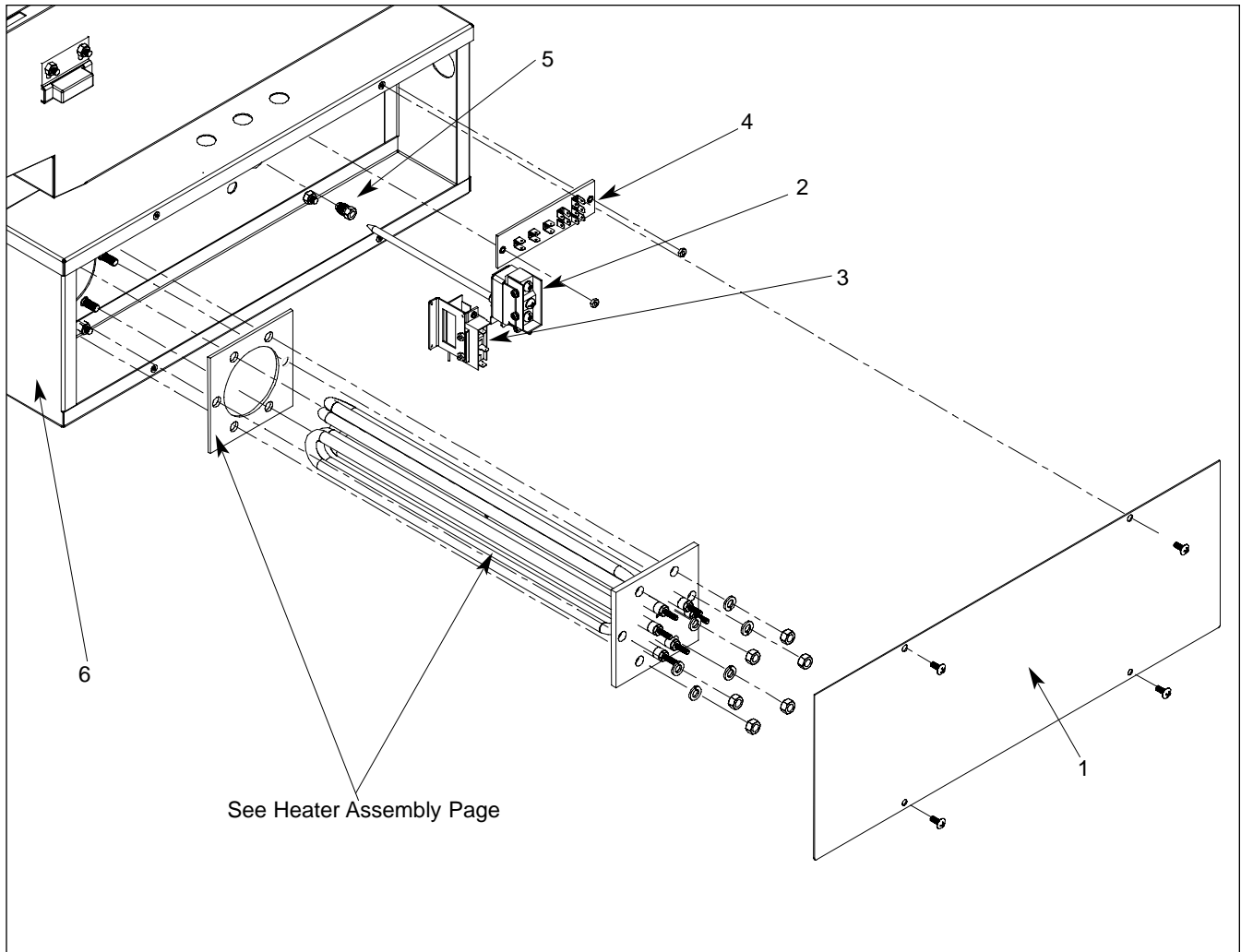
AJ-86 SERIES MOTOR OVERLOAD CHART:

	<u>208-230V/60 HZ/1 PHASE</u>	<u>208-230V/60 HZ/3 PHASE</u>	<u>460V/60 HZ/3 PHASE</u>
Drive Motor	Not Applicable	05945-111-68-39	05945-111-69-12
PreWash Motor	Not Applicable	05945-111-68-41	05945-111-69-13
Wash Motor	Not Applicable	05945-111-68-40	05945-111-68-41
Power Rinse Motor	Not Applicable	05945-111-68-40	05945-111-68-41

AJ-100 SERIES MOTOR OVERLOAD CHART:

	<u>208-230V/60 HZ/1 PHASE</u>	<u>208-230V/60 HZ/3 PHASE</u>	<u>460V/60 HZ/3 PHASE</u>
Drive Motor	Not Applicable	05945-111-68-39	05945-111-69-12
PreWash Motor	Not Applicable	05945-111-68-40	05945-111-68-41
Wash Motor	Not Applicable	05945-111-68-40	05945-111-68-41
Power Rinse Motor	Not Applicable	05945-111-68-40	05945-111-68-41

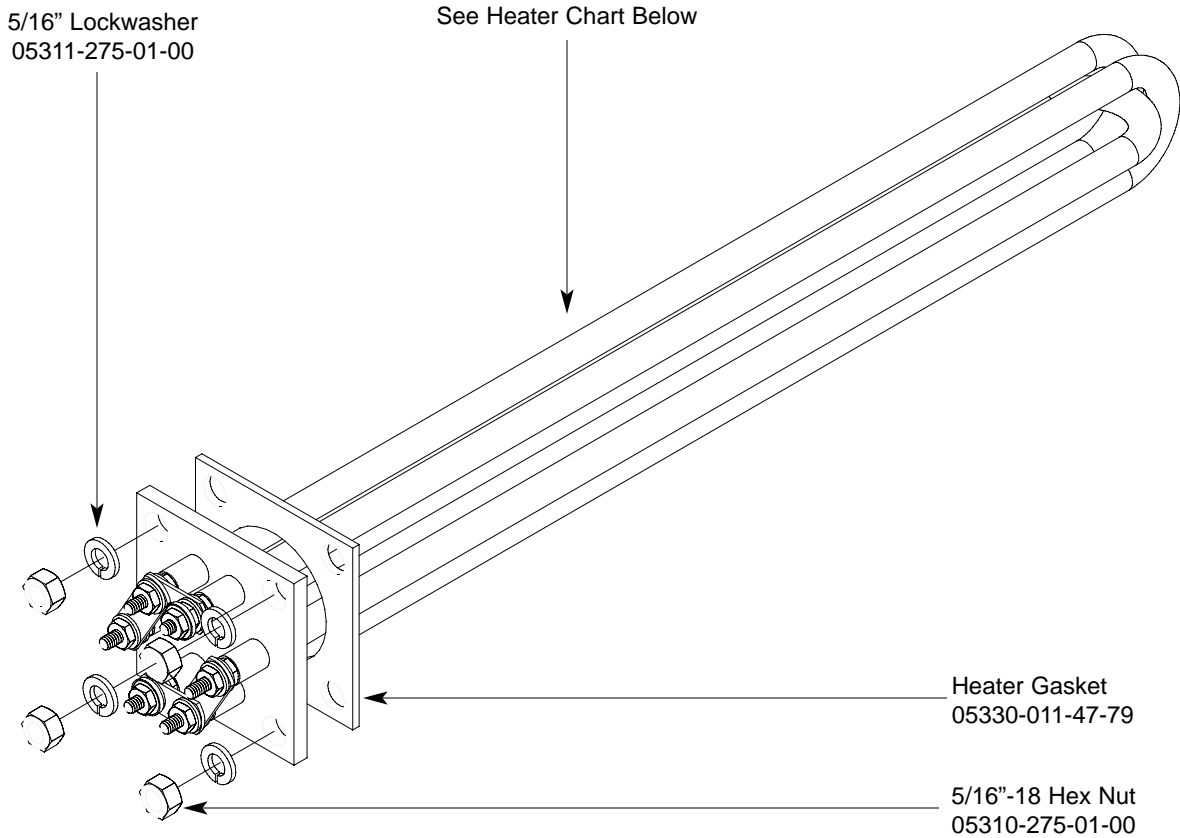
SECTION 5: PARTS SECTION
HEATER BOX ASSEMBLY



ITEM	QTY	DESCRIPTION	Mfg. No.
1	1	Heater Box Cover	05700-031-81-61
2	1	Kit, Thermostat, Wash Regulating (Electrically Heated)	06401-003-18-20
3	1	Kit, Thermostat, Wash Regulating (Steam Heated)	06401-003-18-21
4	1	Thermostat, High Limit	05930-011-49-43
5	1	Terminal Board	05940-002-78-97
6	1	Fitting, 1/4", Imperial Brass	05310-924-02-05
6	1	Heater Box Weldment	05700-002-41-18

SECTION 5: PARTS SECTION

HEATER ASSEMBLY



Heater Chart

<u>Model</u>	<u>Volts</u>	<u>Phase</u>	<u>KW</u>	<u>Part Number</u>
All*	208	1	10	06401-003-12-94
	230	1	10	06401-003-12-95
	208	3	10	06401-003-12-94
	230	3	10	06401-003-12-95
	460	3	10	06401-003-12-96

Heater Chart

<u>Model</u>	<u>KW</u>	<u>208V Models</u>	<u>230V Models</u>	<u>460V Models</u>
All*	15	04540-121-68-45	04540-121-68-46	04540-121-68-47

* - "CS" & "CGP" models do not use electric heaters in the wash tank or power rinse tank.

SERVICE NOTE: When replacing the tub heaters, it is HIGHLY recommended that you also change out the gasket as well. Once installed, gaskets become compressed and are subjected to extreme temperature changes. Replacing the gasket with a new one when replacing the heater may prevent future leaks.

SERVICE NOTE: The nuts used to secure the heater to the tub should be torqued to 16 in-lbs. After tightening, the unit should be allowed to heat up and operate normally for approximately 30 minutes. Secure power to the machine and check the nuts once more to ensure that they are torqued to 16 in-lbs.

SECTION 5: PARTS SECTION

HEATER ASSEMBLY (CONTINUED)

The wash tank heater system is electrically connected in the circuit so that they are dependent upon the dishwasher being properly filled with and maintaining a safe water level, two thermostats (mounted in the heater box behind the dress panel), float switch (mounted in the wash tank), and the heater relay (mounted in control box) with the heater being activated by the thermostats.

Once the dishwasher has been filled to the correct level, the heater should operate automatically. Should the tank heat be too high, too low or no indication of temperatures at all, the following checkout should be made.

Note: The following checkout should be made by either a qualified service person or electrician.

A- Checkout of the heater system

- 1- If the temperature is too high, adjust thermostat using instructions on the page entitled "Thermostats".
- 2- If temperature is too low, adjust thermostat as above, then:
 - a - Turn off power to machine by placing customer's circuit breaker in the "OFF" position. Turn off machine circuit breaker located on right side of control box.
 - b - Remove cover from control box on top of dishwasher.
 - c - Make sure water temperature is below 140° F.(preferably about 130°F.).
 - d - Turn on both circuit breakers. Observe heater relay (R1) while the power switch is turned "ON" and "OFF". If relay contacts move in and out, the heater relay is operating correctly: if not proceed to "C".

B- If heater relay (R1) closes:

- 1 - Check power supply at incoming terminal board L1, L2 & L3. It should be the same voltage as indicated on the machine data plate.
- 2 - Check power at connections on heater relay (R1). The voltage should agree with the voltage on the machine data plate. If not, check wires for breaks or bad connections.
- 3 - Check power at terminals of heater which should agree with the data plate. If not check wires for breaks or bad connections.
- 4 - Temperatures should rise as explained in "C-1", and amperage may be checked according to those instructions. Replace any defective elements.

C - If heater relay (R1) does not close.

- 1 - There is an insulated movable insulated movable bar on relay across the top. With an insulated probe, depress this bar and observe the thermometer: the temperature should rise noticeably in a minute or two. If it moves slowly, it would indicate that the element is faulty. If it moves constantly higher at a good rate, elements should be good.

Note: A check with an amp probe at heater relay (R1) terminals should be made to verify the amp draw on each leg. This should be appropriate for the voltage and phase indicated on the data plate

HEATER PROTECTION & AUTOMATIC FILL

This control is activated when the power switch is turned "ON". The primary function is to automatically energize the wash tank heat circuit. It will also cutoff the wash tank heat circuit should the water be accidently drained from the machine with the power switch still "ON". The power switch should always be turned-off before draining the unit.

This water level control consists of two (2) floats that operate when the power switch is turned on and works in conjunction with the thermostats and heater relays.

When the power switch is turned "ON" water starts to enter the dishmachine. When it reaches the proper level the normally open contacts in the water level float switch close activating the heating circuit for tank heat.

If the water level below the correct level while power is still on, the float switch will sense the lack of water and de-activate the heater.

SECTION 5: PARTS SECTION
FRAME WELDMENTS/DRESS PANELS

FRAME WELDMENTS

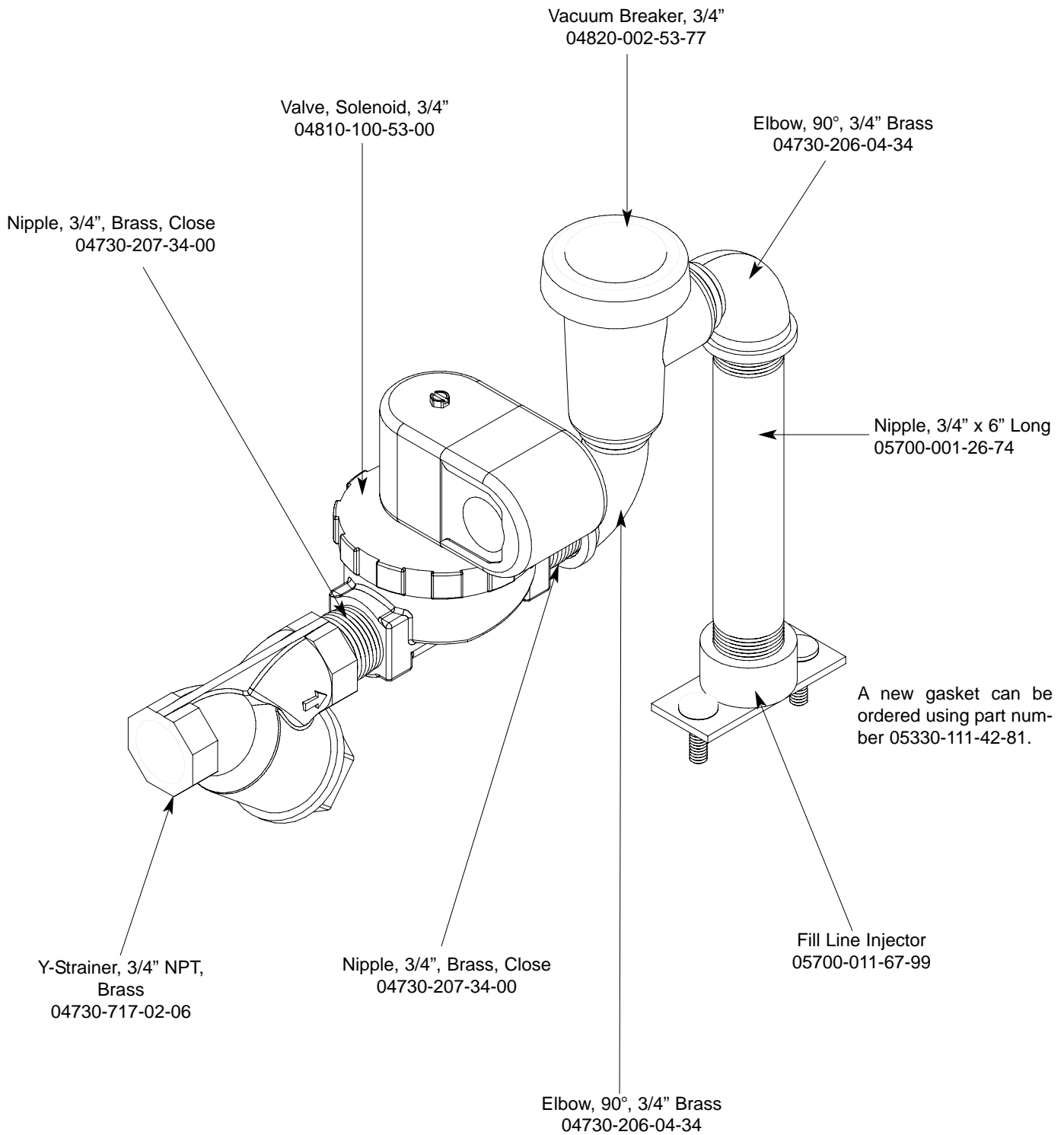
<u>Model</u>	<u>Left to Right Part Number</u>	<u>Right to Left Part Number</u>
AJ-64's	05700-002-73-00	05700-002-73-00
AJ-86's	05700-041-83-65	05700-041-83-65
AJ-86CGP	05700-041-83-65	05700-041-83-65
AJ-100's	05700-041-91-00	05700-041-91-00
AJ-100CGP	05700-041-91-00	05700-041-91-00

Bullet Feet (4 per model) - order using part number 05340-011-71-74.

FRONT DRESS PANELS

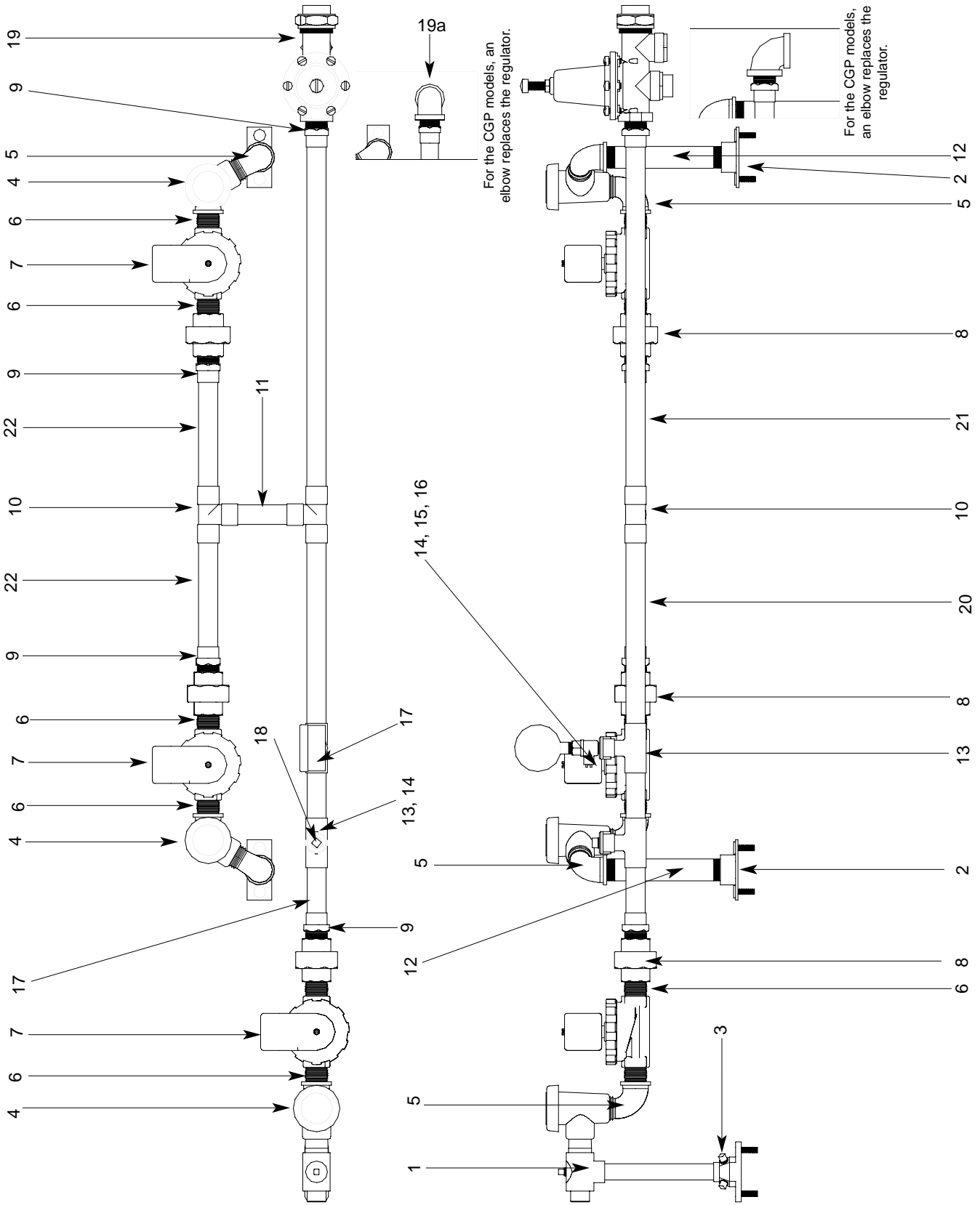
<u>Model</u>	<u>Left to Right Part Number</u>	<u>Right to Left Part Number</u>
AJ-64's	05700-002-40-41	05700-002-40-41
AJ-86's	05700-031-83-68	05700-041-86-60
AJ-86CGP	05700-002-89-68	05700-041-86-60
AJ-100's	05700-041-94-89	05700-041-91-06
AJ-100CGP	05700-041-94-89	05700-041-91-06

SECTION 5: PARTS SECTION
PREWASH PLUMBING ASSEMBLY



SECTION 5: PARTS SECTION

INCOMING PLUMBING ASSEMBLY (ELECTRIC & GAS HEATED MODELS)

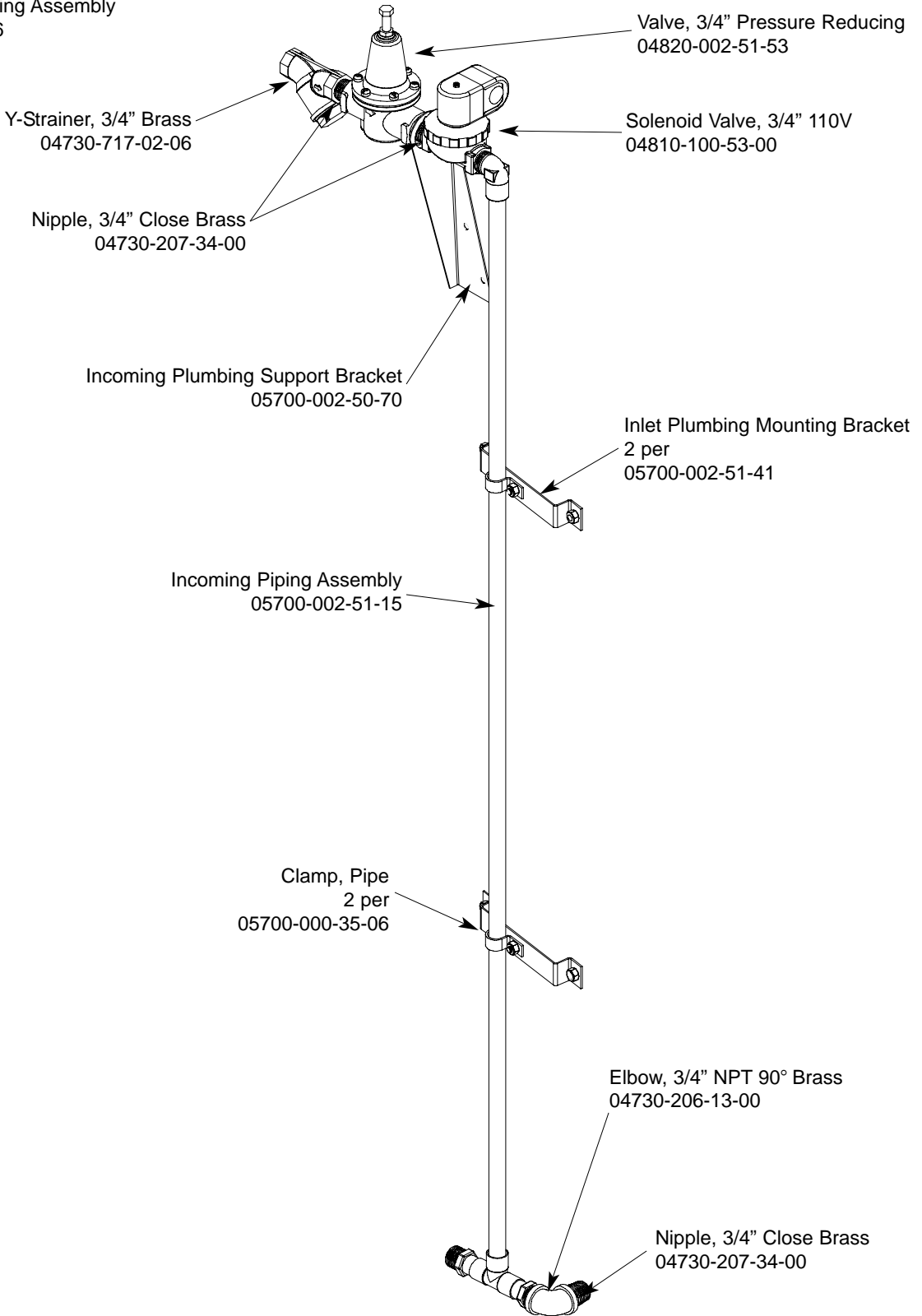


SECTION 5: PARTS SECTION
INCOMING PLUMBING ASSEMBLY(CONTINUED)

ITEM	QTY	DESCRIPTION	Mfg. No.
1	1	Injector, Rinse Weldment (L-R all units)	05700-021-67-98
1	1	Injector, Rinse Weldment (R-L CGP units only)	05700-002-57-87
2	2	Fill Line, Injector	05700-011-67-99
3	3	Plug, 1/8" NPT, Brass	04730-209-07-37
4	3	Vacuum Breaker, 3/4" NPT, Brass	04820-002-53-77
5	5	Elbow, 3/4" NPT, Street, Brass	04730-206-04-34
6	6	Nipple, 3/4" NPT, Close, Brass	04730-207-34-00
7	3	Valve, Solenoid, 3/4" NPT, 110 Volt	04810-100-53-00
8	3	Union, 3/4" NPT, Brass	04730-212-05-00
9	4	Adapter, 3/4" Male	04730-401-11-01
10	2	Tee, Copper, 3/4" CU x CU x CU	04730-411-46-01
11	1	Tube, Copper, 3/4" x 3" Long	05700-000-54-85
12	2	Nipple, 3/4" NPT, Brass, 6" Long	05700-001-26-74
13	2	Tee, Copper, 3/4" x 3/4" x 1/2"	04730-411-03-01
14	2	Adapter, Threaded, 1/4"	04730-401-41-01
15	1	Valve, Ball, Test Cock, 1/4" NPT	04810-011-72-67
16	1	Gauge, 0-100 PSI	06685-111-88-34
	1	Decal, 15-25 PSI	09905-002-97-74
17	2	Tube, 3/4" x 2-13/16" Long	05700-011-72-72
18	1	Plug, 1/4"	04730-209-01-00
19	1	Regulator, Pressure, 3/4" NPT (Not used on CGP models)	06685-011-58-22
19a	1	Elbow, 3/4" 90° Brass (Used on CGP models only)	04730-206-13-00
20	1	Tube, 3/4" x 9" Long	05700-000-75-61
21	1	Tube, 3/4" x 16-1/4" Long	05700-011-31-48
22	2	Tube, 3/4" x 5-1/2" Long	05700-002-61-46

SECTION 5: PARTS SECTION
RINSE HEADER PLUMBING ASSEMBLY (CGP MODELS)

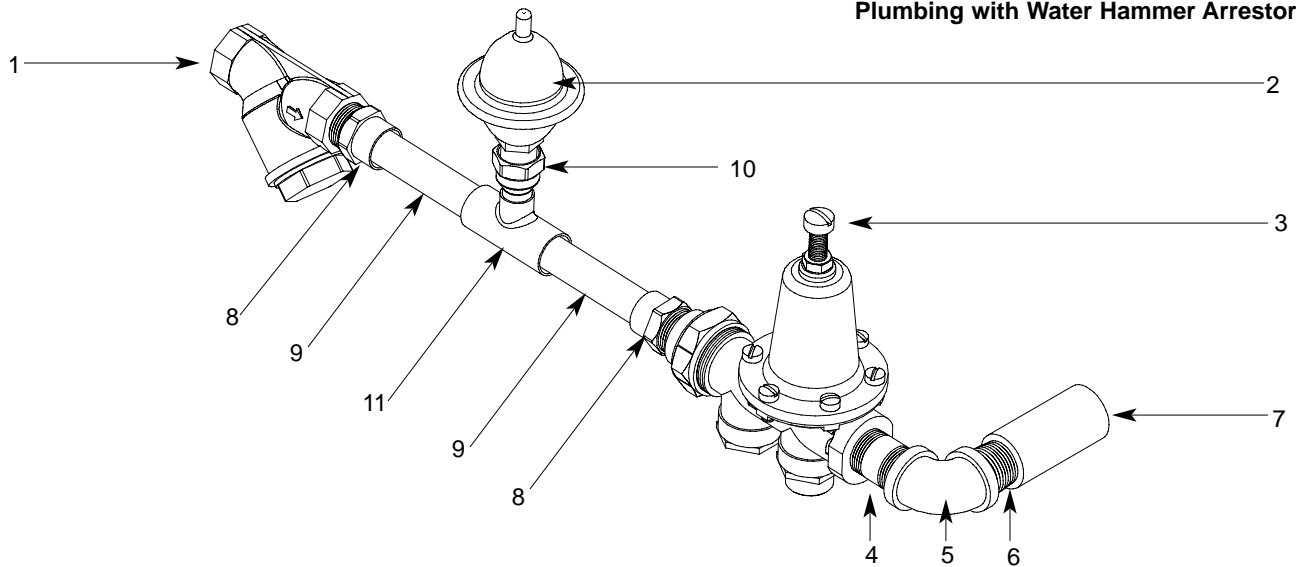
Complete Plumbing Assembly
05700-002-51-16



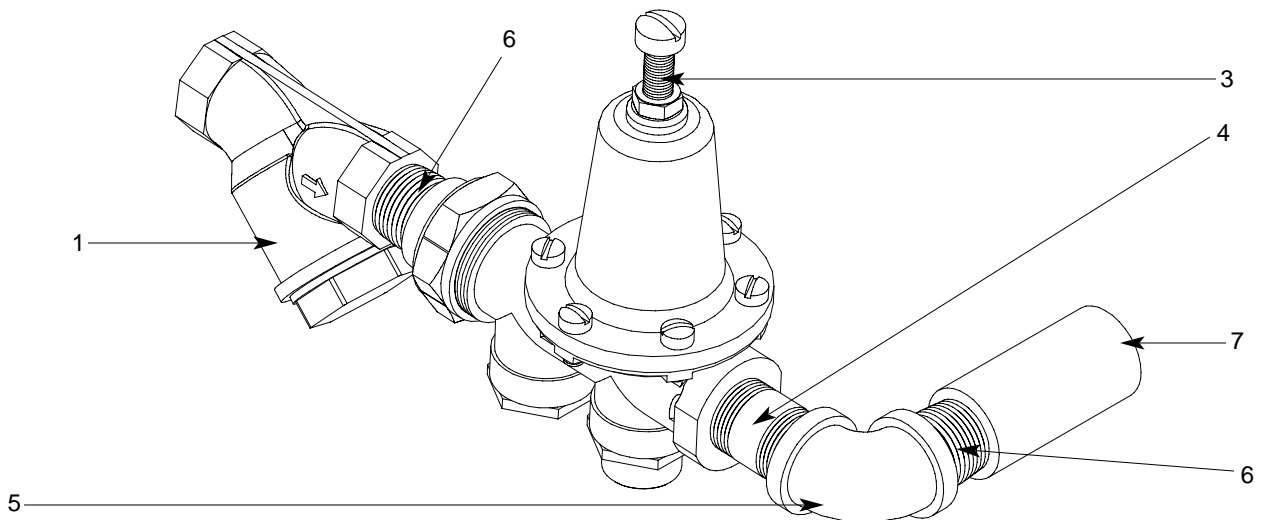
SECTION 5: PARTS SECTION

EXTERNAL ELECTRIC BOOSTER INCOMING PLUMBING ASSEMBLIES

Plumbing with Water Hammer Arrestor

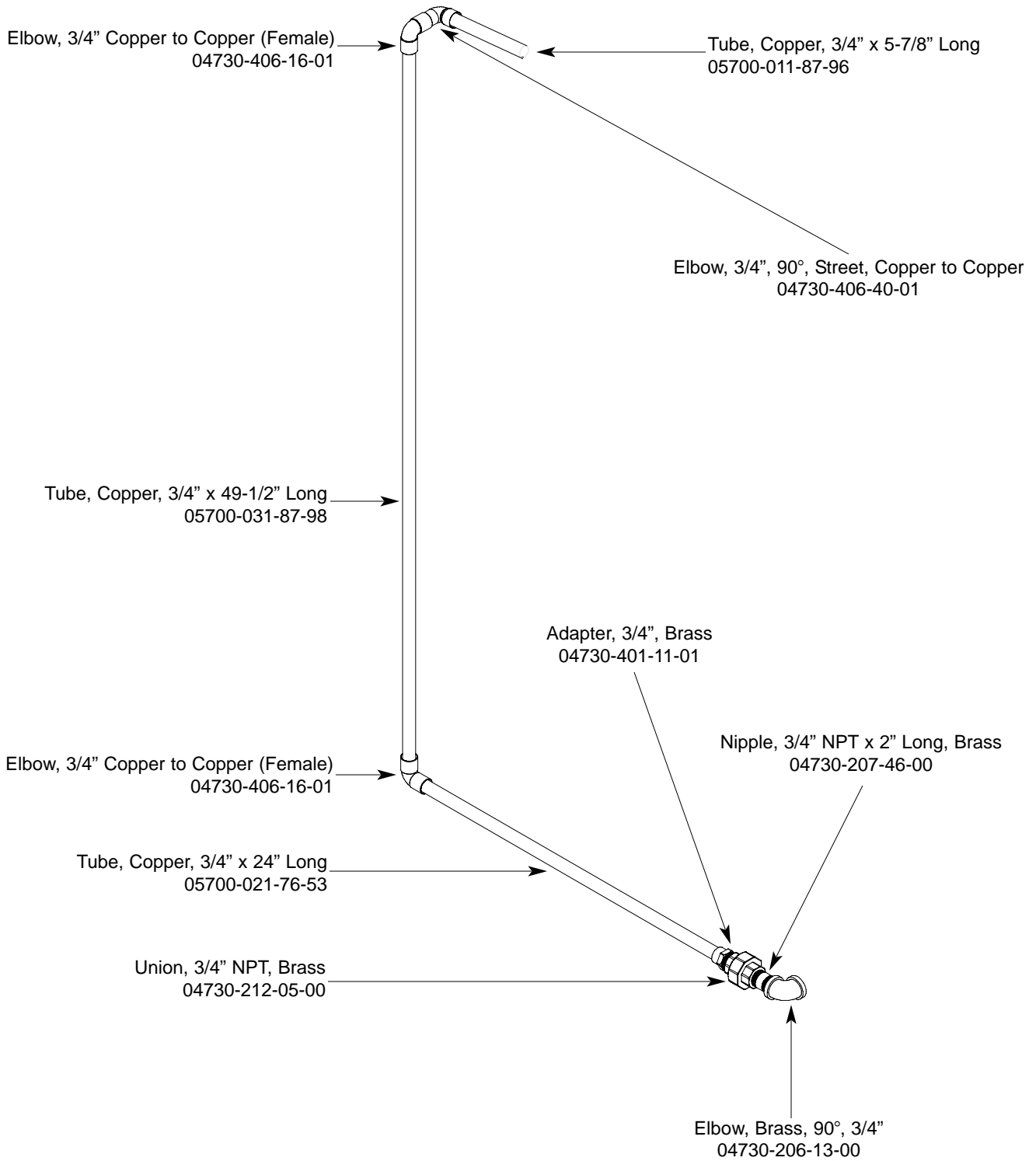


Plumbing without Water Hammer Arrestor



ITEM	QTY	DESCRIPTION	Mfg. No.
1	-	Y-Strainer, 3/4" NPT, Brass	04730-717-02-06
2	-	Arrestor, Water Hammer, 1/2" NPT	06685-100-05-00
3	-	Regulator, Pressure, 3/4" NPT, Brass	06685-011-58-22
4	-	Nipple, 3/4" NPT x 2" Long, Brass	04730-207-46-00
5	-	Elbow, Brass, 90°, 3/4"	04730-206-13-00
6	-	Nipple, 3/4" NPT, Close, Brass	04730-207-34-00
7	-	Coupling, 3/4" FNPT x 3/4" FNPT, Brass	04730-011-87-95
8	-	Adapter, 3/4" Male	04730-401-11-01
9	-	Tube, Copper, 3/4" x 3-7/16" Long	05700-011-72-70
10	-	Adapter, 1/2" NPT x Male	04730-401-07-01
11	-	Tee, Copper, 3/4" x 3/4" x 1/2"	04730-411-03-01

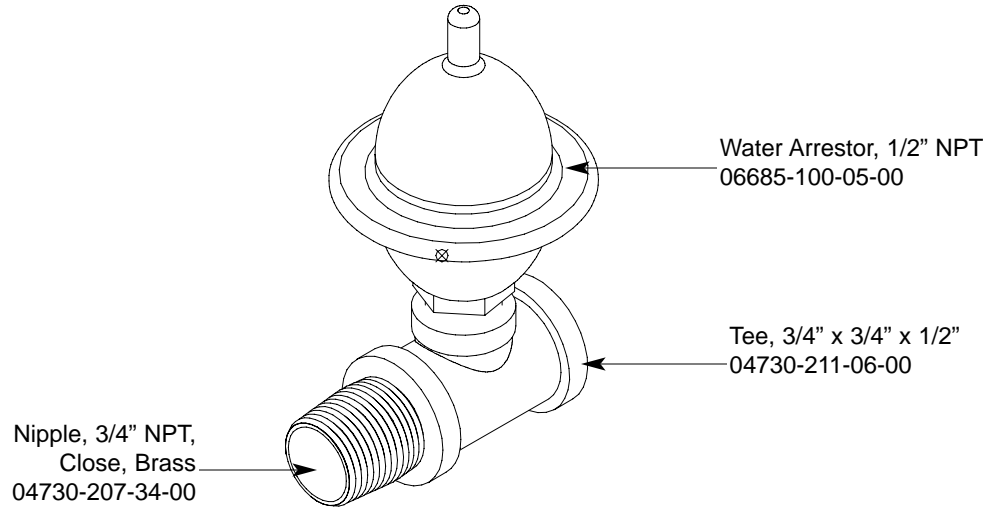
SECTION 5: PARTS SECTION
EXTERNAL ELECTRIC BOOSTER OPTION OUTLET PLUMBING



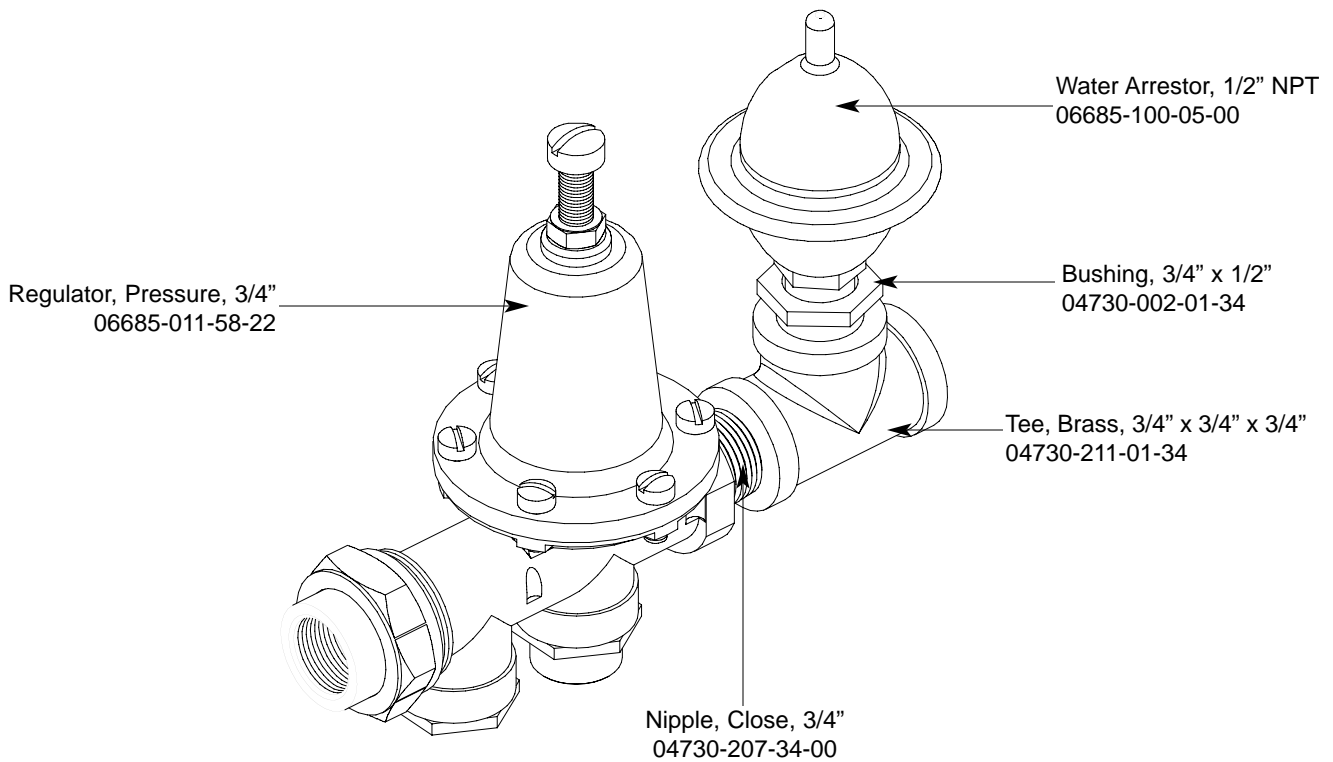
SECTION 5: PARTS SECTION

WATER HAMMER ARRESTOR OPTION/WATER PRESSURE REGULATOR KIT OPTION

WATER HAMMER ARRESTOR OPTION

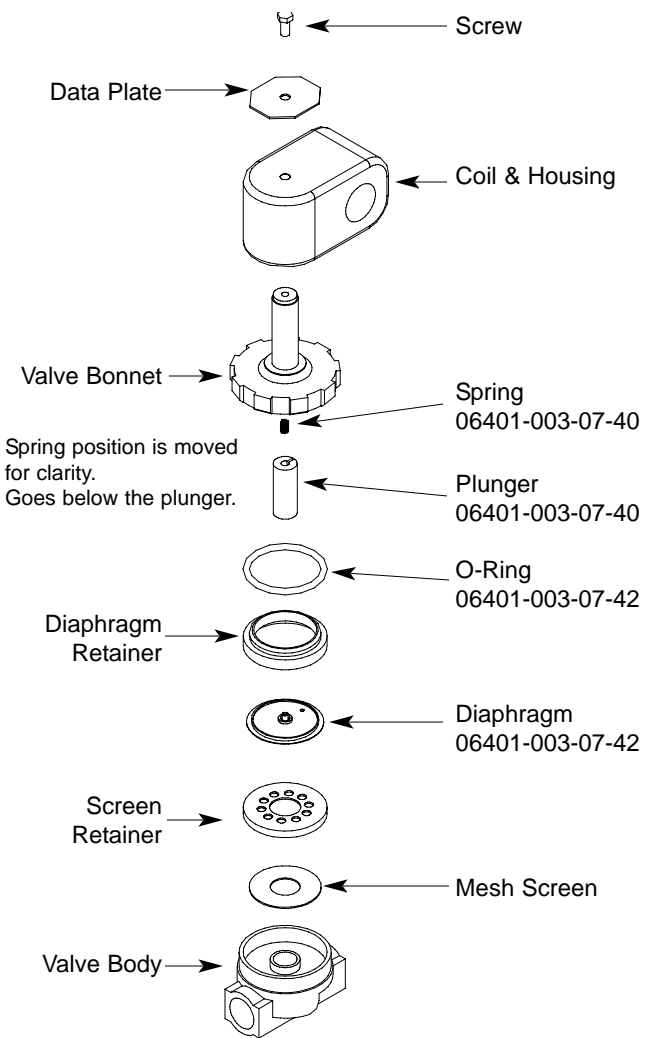


WATER PRESSURE REGULATOR WITH ARRESTOR KIT OPTION



SECTION 5: PARTS SECTION

RINSE SOLENOID VALVE & VACUUM BREAKER REPAIR PARTS KITS

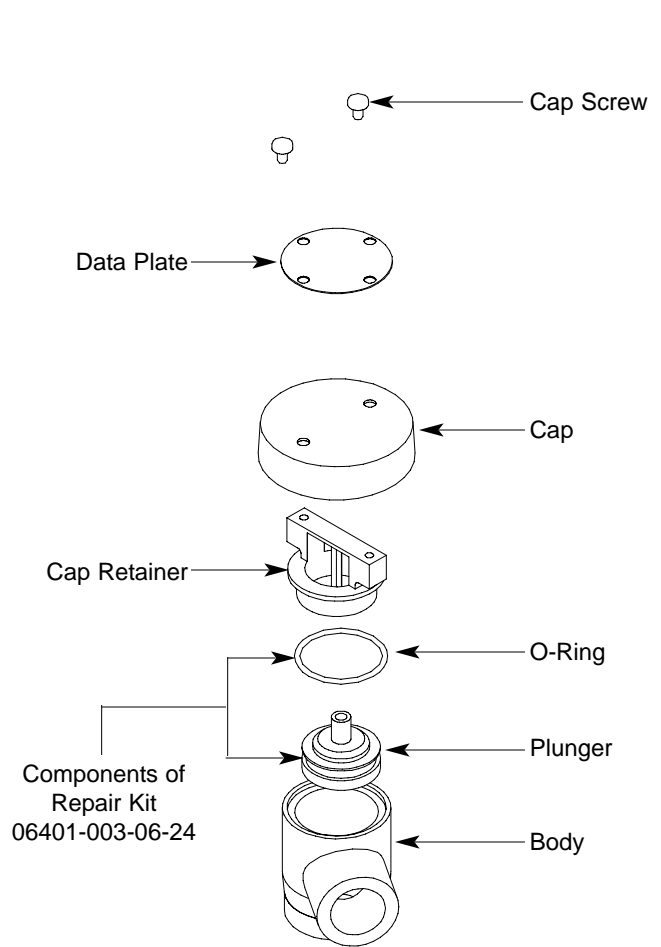
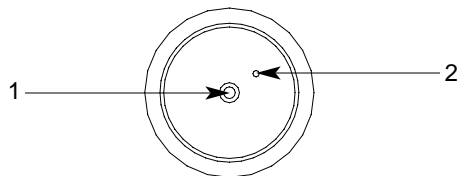


Complete 110 Volt Solenoid Valve Assembly, 3/4"
04810-100-53-00

Coil & Housing only, 3/4"
04810-200-01-18

Possible Problems:

1. Pilot port extension #1 clogged. Clean hole.
2. Hole #2 Clogged. Pass heated straight pin through hole.



Complete Vacuum Breaker Assembly, 3/4" NPT
04820-002-53-77

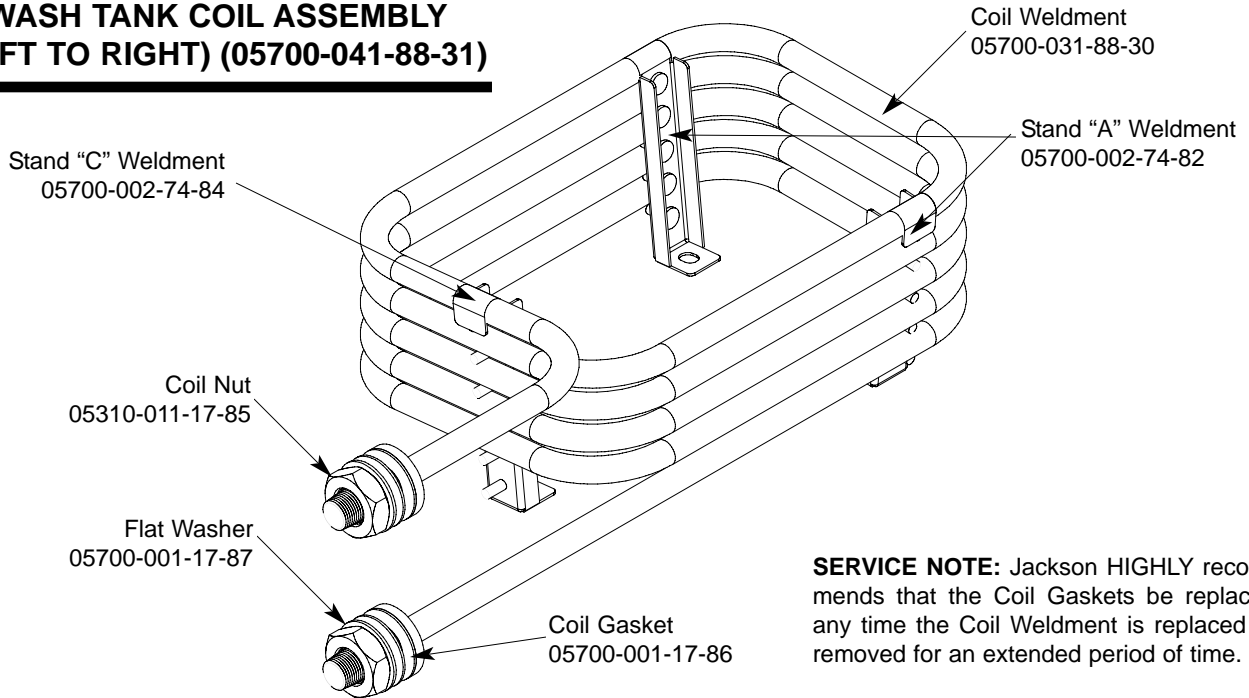
DISASSEMBLY - These valves may be taken apart by unscrewing the bonnet and the enclosing tube assembly from the valve body assembly. After unscrewing, carefully lift off the bonnet and enclosing tube assembly. Don't drop the plunger. The o-ring seal and diaphragm cartridge can now be lifted out. Be careful not to damage the machined faces while the valve is apart.

TO REASSEMBLE - Place the diaphragm cartridge in the body with the pilot port extension UP. Hold the plunger with the synthetic seat against the pilot port. Make sure the o-ring is in place, then lower the bonnet and enclosing tube assembly over the plunger. Screw the bonnet assembly snugly down on the body assembly.

SECTION 5: PARTS SECTION

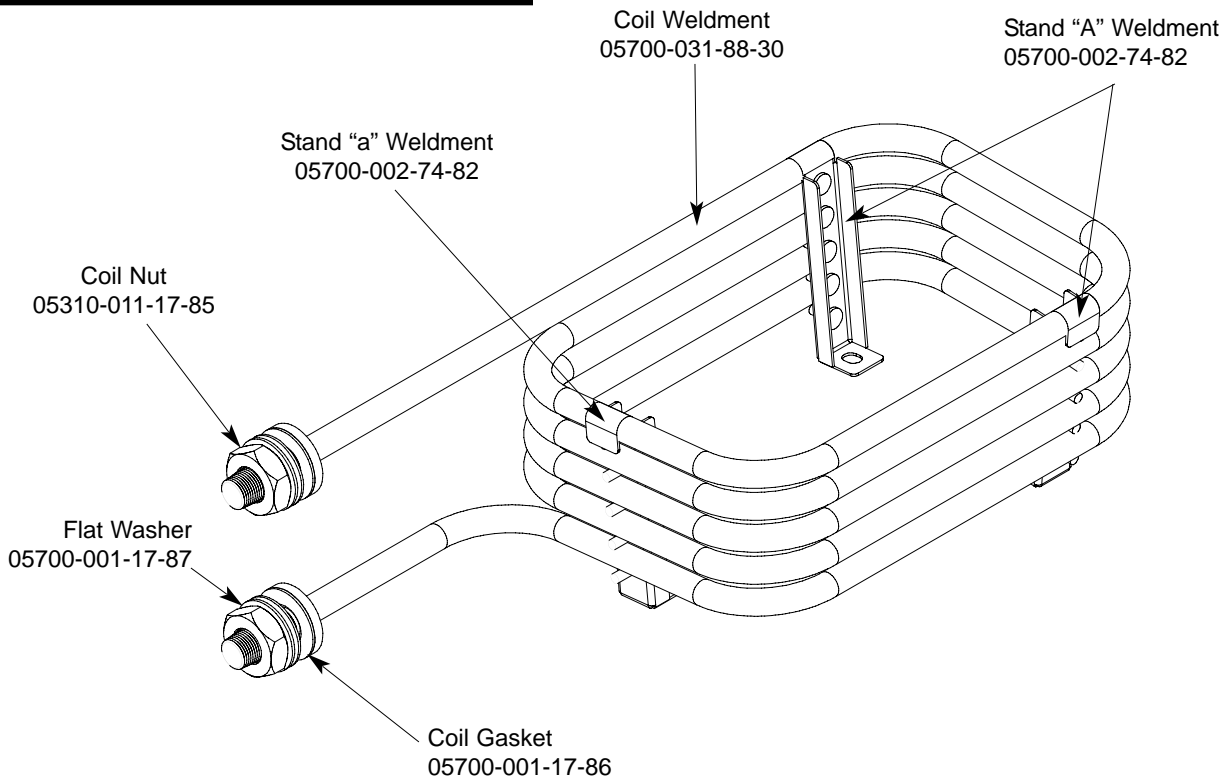
WASH TANK COIL ASSEMBLY

**WASH TANK COIL ASSEMBLY
(LEFT TO RIGHT) (05700-041-88-31)**

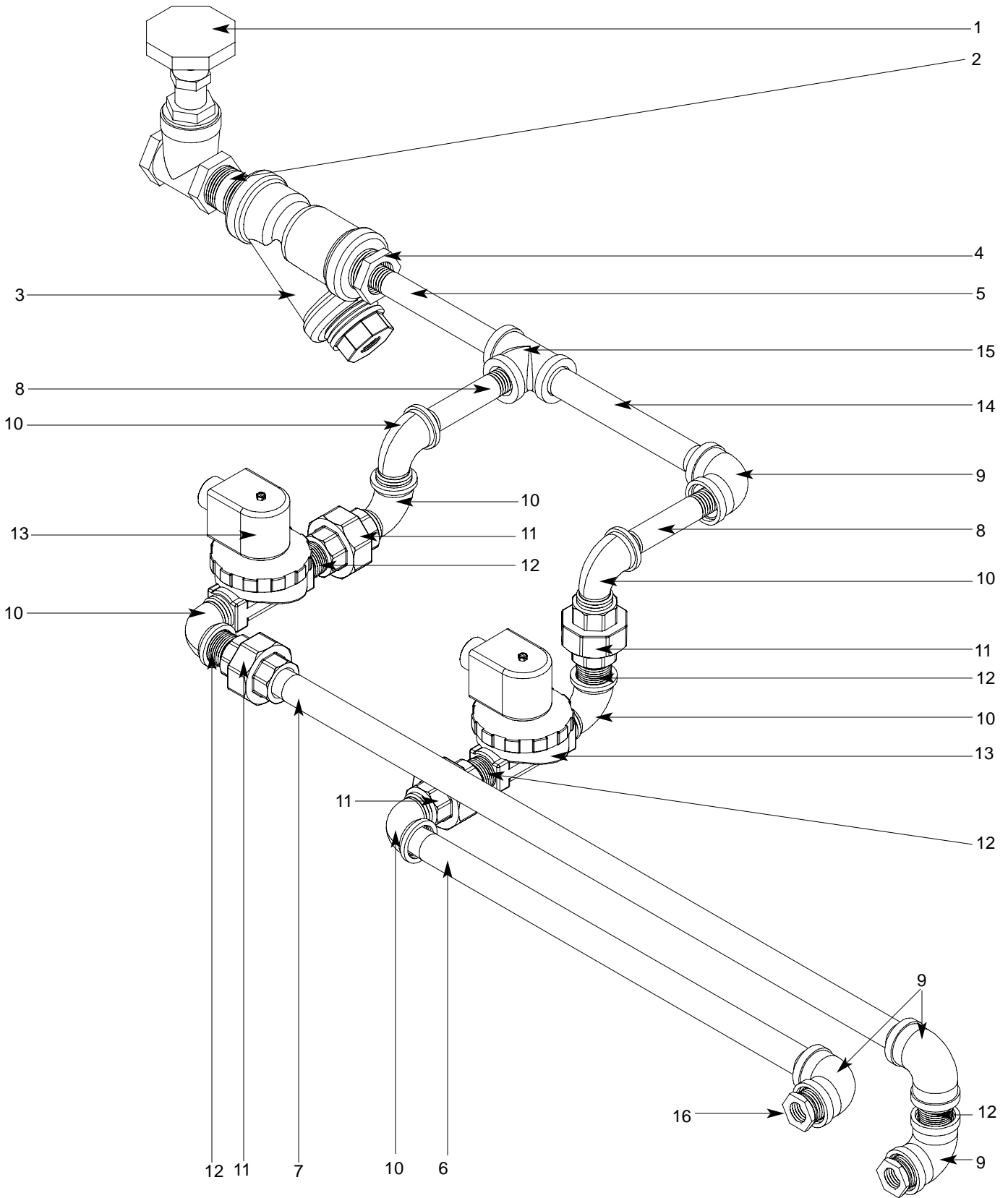


SERVICE NOTE: Jackson HIGHLY recommends that the Coil Gaskets be replaced any time the Coil Weldment is replaced or removed for an extended period of time.

**WASH TANK COIL ASSEMBLY
(RIGHT TO LEFT) (05700-002-81-44)**



SECTION 5: PARTS SECTION
STEAM INLET PLUMBING ASSEMBLY (LEFT TO RIGHT MODELS)

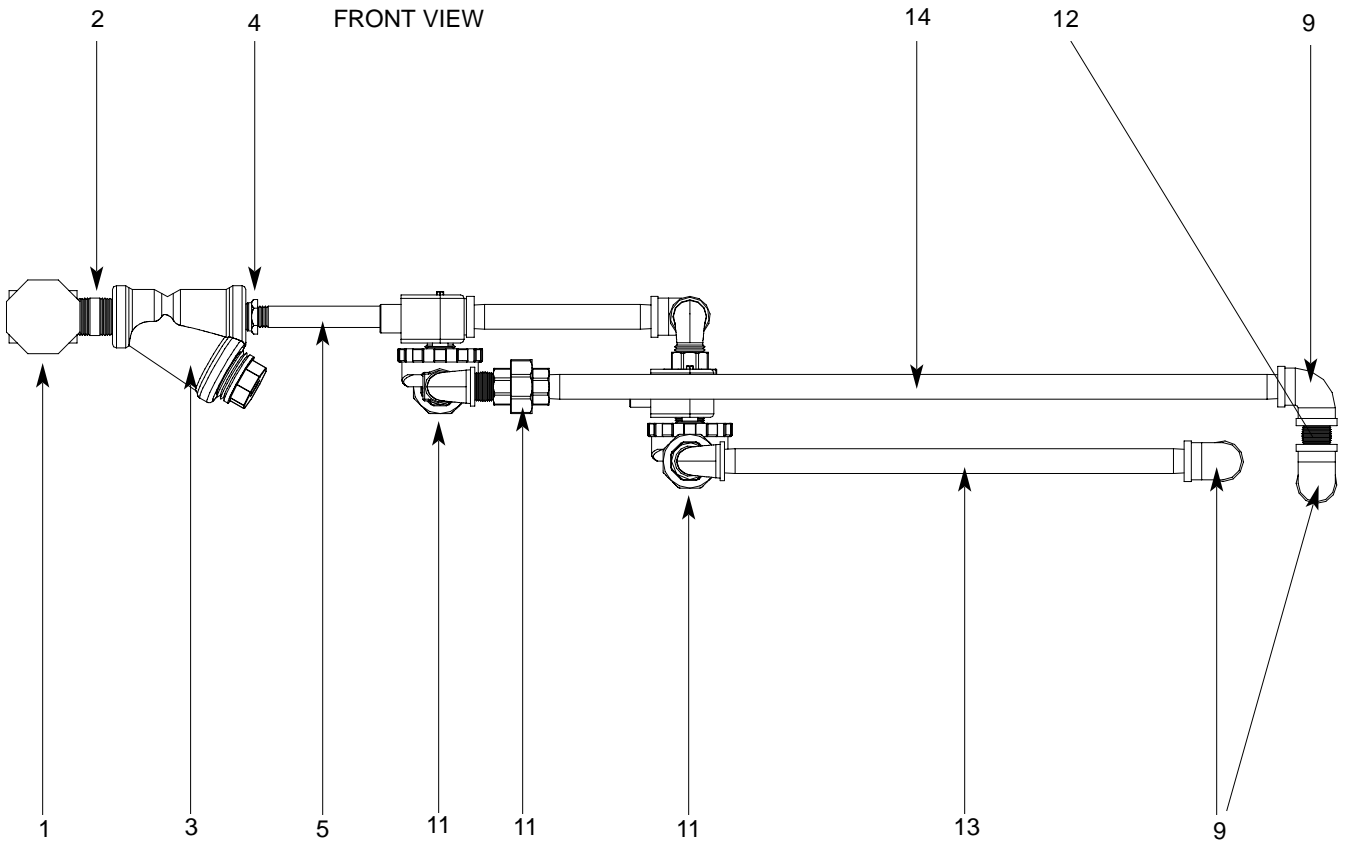
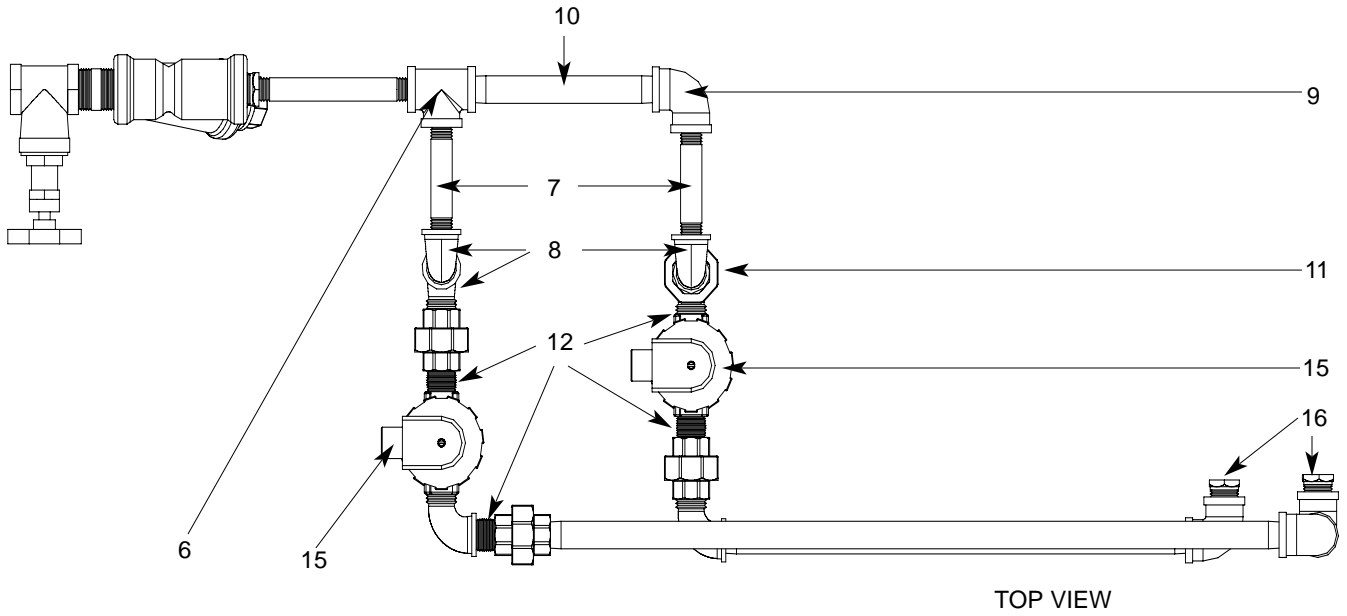


SECTION 5: PARTS SECTION

STEAM INLET PLUMBING ASSEMBLY (LEFT TO RIGHT MODELS) (CONTINUED)

ITEM	QTY	DESCRIPTION	Mfg. No.
1	1	Valve, 1" Gate, Steam	04820-011-87-30
2	1	Nipple, 1" NPT, Close, Black Iron	04730-907-08-34
3	1	Y-Strainer, 1" NPT, Black Iron	04730-217-02-32
4	1	Reducer, 1" to 3/4"	04730-011-95-66
5	1	Nipple, 3/4" NPT x 6" Long, Black Iron	04730-907-01-34
6	1	Nipple, 3/4" NPT x 17" Long, Black Iron	05700-002-74-16
7	1	Nipple, 3/4" NPT x 26-1/2" Long, Black Iron	05700-002-74-17
8	2	Nipple, 3/4" NPT x 2" Long, Black Iron	04730-907-02-34
9	4	Elbow, 90°, 3/4" NPT, Black Iron	04730-906-10-34
10	6	Elbow, 90°, 3/4" NPT, Street, Black Iron	04730-011-87-37
11	4	Union, 3/4" NPT, Black Iron	04730-912-01-00
12	5	Nipple, Close, 3/4" NPT, Black Iron	04730-907-04-00
13	2	Valve, Solenoid, Steam, 120V, 3/4" NPT	04820-011-87-39
14	1	Nipple, 3/4" NPT x 7" Long, Black Iron	05700-002-74-15
15	1	Tee, 3/4" NPT x 3/4" NPT x 3/4" NPT, Black Iron	04730-002-74-14
16	2	Reducer, 3/4" NPT to 1/2" NPT, Black Iron	04730-911-02-34

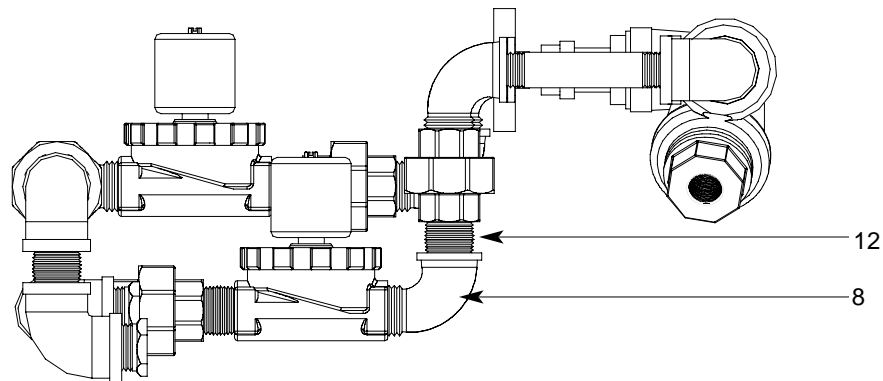
SECTION 5: PARTS SECTION
STEAM INLET PLUMBING ASSEMBLY (RIGHT TO LEFT MODELS)



SECTION 5: PARTS SECTION

STEAM INLET PLUMBING ASSEMBLY (RIGHT TO LEFT MODELS)(CONTINUED)

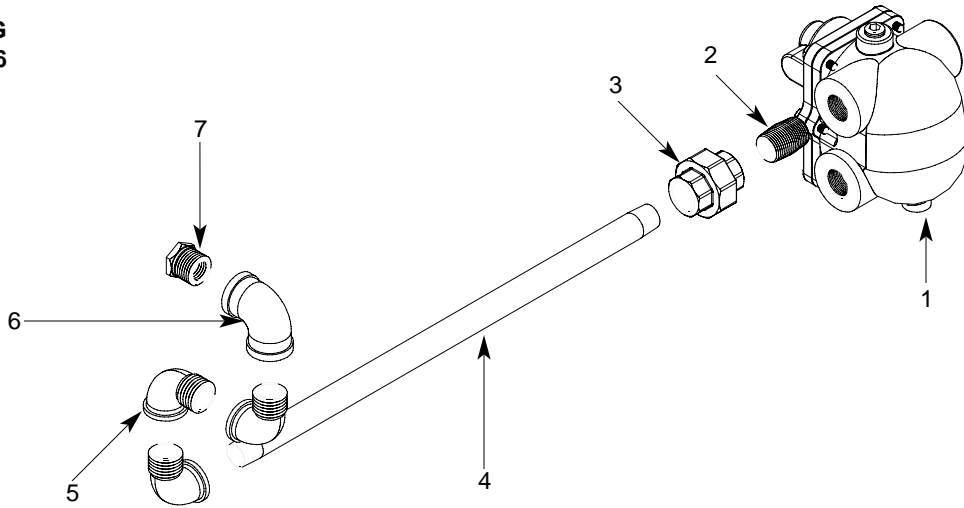
ITEM	QTY	DESCRIPTION	Mfg. No.
1	1	Valve, 1" Gate	04820-011-87-30
2	1	Nipple, 1" NPT, Close, Black Iron	04730-907-08-34
3	1	Y-Strainer, 1" NPT, Black Iron	04730-217-02-32
4	1	Reducer, 1" NPT to 3/4" NPT	04730-011-95-66
5	1	Nipple, 3/4" NPT x 6" Long, Black Iron	04730-907-01-34
6	1	Tee, 3/4" x 3/4" x 3/4", Black Iron	04730-002-74-14
7	2	Nipple, 3/4" NPT x 4" Long, Black Iron	04730-907-02-34
8	6	Elbow, Street, 3/4" NPT, 90°, Black Iron	04730-011-87-37
9	4	Elbow, 3/4" NPT, 90°, Black Iron	04730-906-10-34
10	1	Nipple, 3/4" NPT x 7" Long, Black Iron	05700-002-74-15
11	4	Union, 3/4" NPT, Black Iron	04730-912-01-00
12	5	Nipple, 3/4" NPT, Close, Black Iron	04730-907-01-00
13	1	Nipple, 3/4" NPT x 17" Long, Black Iron	05700-002-74-16
14	1	Nipple, 3/4" NPT x 26-1/2" Long, Black Iron	05700-002-74-17
15	2	Valve, Solenoid, Steam, 3/4" NPT, 120V	04820-011-87-39
16	2	Reducer, 3/4" NPT to 1/2" NPT	04730-911-02-34



RIGHT SIDE VIEW

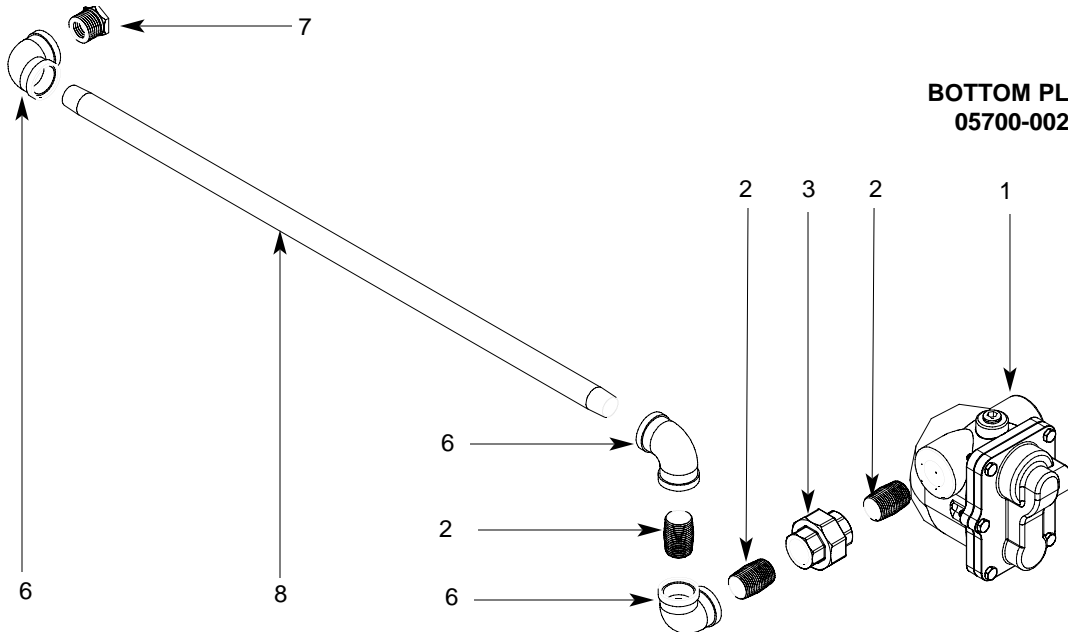
SECTION 5: PARTS SECTION
STEAM OUTLET PLUMBING (LEFT TO RIGHT)

TOP PLUMBING
05700-002-81-66



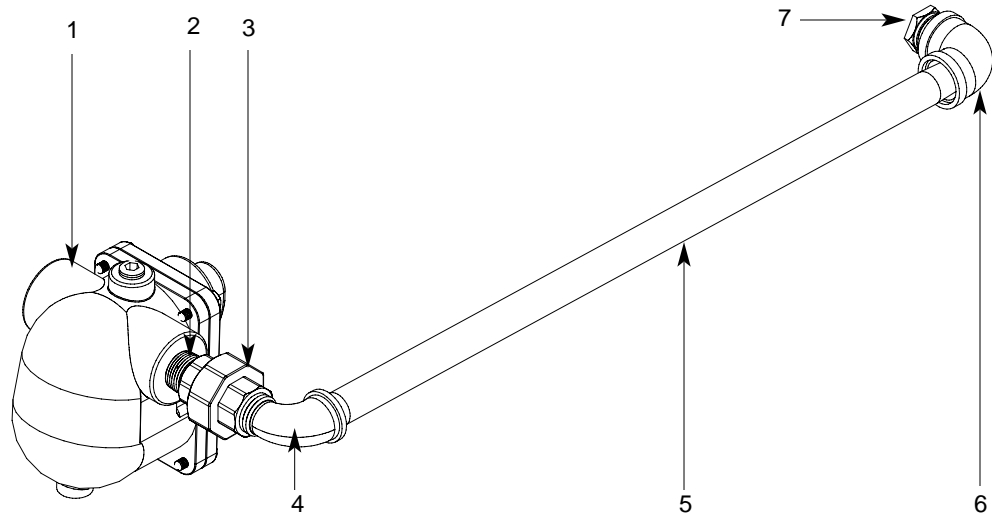
ITEM	QTY	DESCRIPTION	Mfg. No.
1	-	Trap, Steam, 3/4" NPT	06680-500-02-77
2	-	Nipple, Close, 3/4" NPT, Black Iron	04730-907-01-00
3	-	Union, 3/4" NPT, Black Iron	04730-912-01-00
4	-	Nipple, 3/4" x 18" Long, Black Iron	05700-002-74-10
5	-	Elbow, 90° Street, 3/4" NPT, Black Iron	04730-011-87-37
6	-	Elbow, 90°, 3/4" NPT, Black Iron	04730-906-10-34
7	-	Reducer, 3/4" NPT to 1/2" NPT Black Iron	04730-911-02-34
8	-	Nipple, 3/4" NPT x 26-1/2" Long, Black Iron	04730-911-02-34

BOTTOM PLUMBING
05700-002-81-65

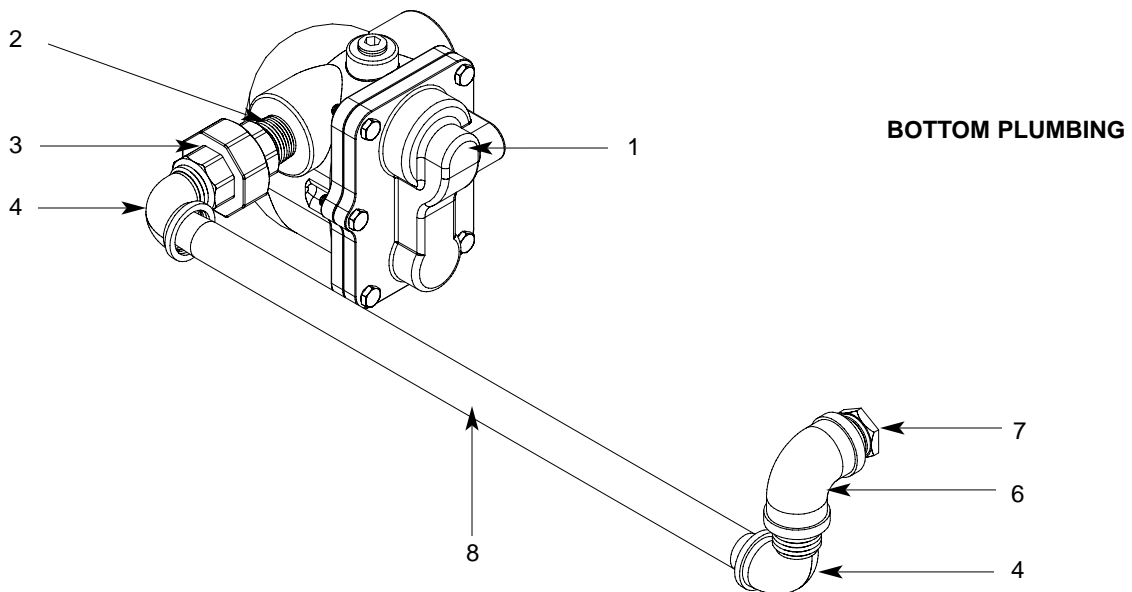


SECTION 5: PARTS SECTION
STEAM OUTLET PLUMBING (RIGHT TO LEFT)

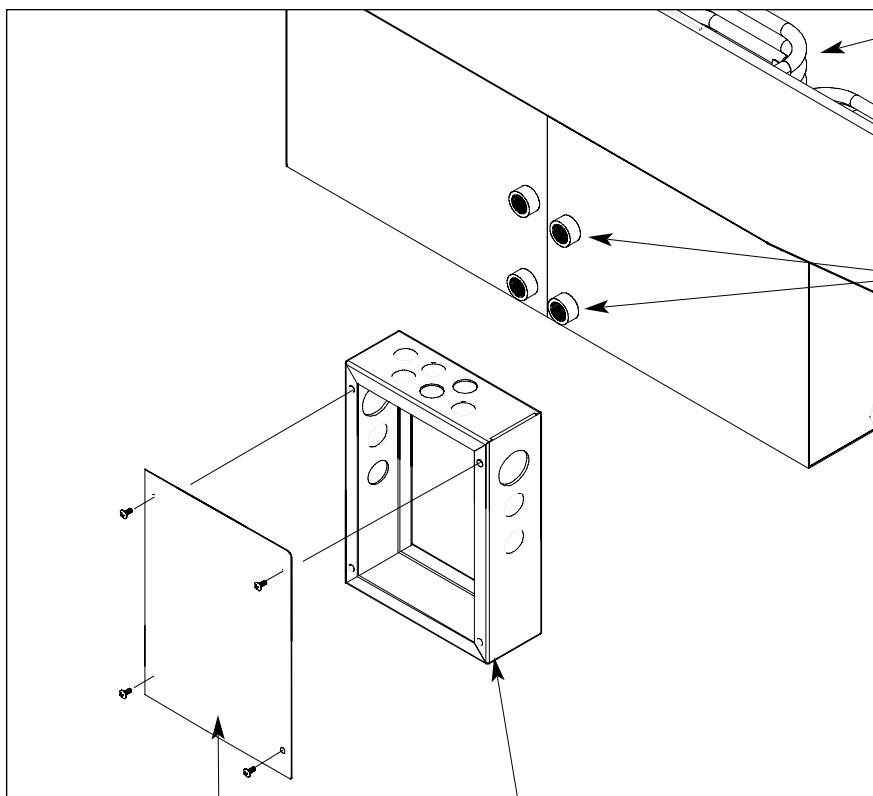
TOP PLUMBING



ITEM	QTY	DESCRIPTION	Mfg. No.
1	-	Steam Trap	06680-500-02-77
2	-	Nipple, Close, 3/4", Black Iron	04730-907-01-00
3	-	Union, 3/4" NPT, Black Iron	04730-912-01-00
4	-	Elbow, Street, 90°, Black Iron	04730-011-87-37
5	-	Nipple, 3/4" NPT x 22" Long, Black Iron	05700-002-74-08
6	-	Elbow, 90°, 3/4" FNPT, Black Iron	04730-906-10-34
7	-	Reducer, 3/4" NPT x 1/2" NPT	04730-911-02-34
8	-	Nipple, 3/4" NPT x 18" Long, Black Iron	05700-002-74-10



SECTION 5: PARTS SECTION
AJ-86 GAS COIL ASSEMBLY (CGP MODELS)



(See "Wash Tank Coil Assembly" page)

(See "Hose Connections" page)

Connects with:
 3/4" 90° Elbow Brass
 04730-206-13-00

3/4" Close Brass Nipple
 04730-207-34-00

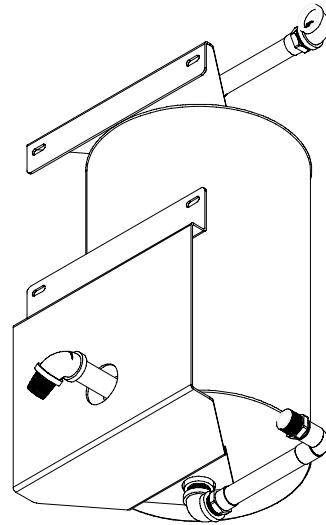
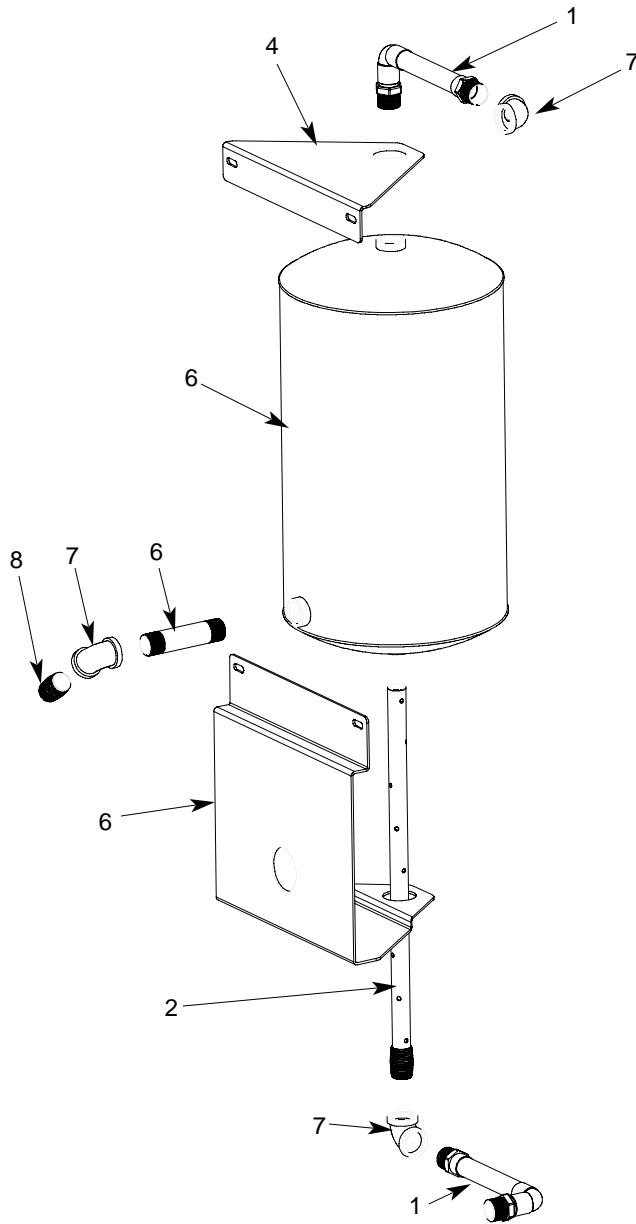
Gas Coil Box Cover
 05700-002-48-50

Coil Box Weldment
 05700-002-50-94

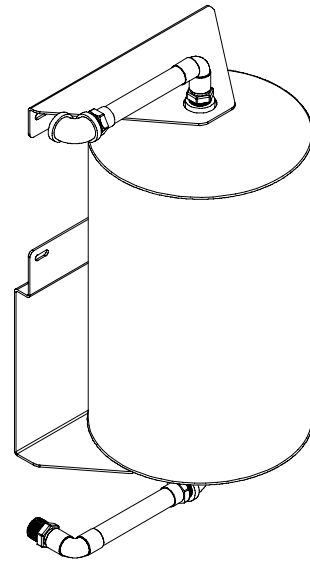
Other items used but not shown.

ITEM	QTY	DESCRIPTION	Mfg. No.
1	1	Thermostat, High Limit	05930-011-49-43
2	1	Gasket	05330-200-02-70
3	1	Terminal Board	05940-002-78-97
4	1	Thermostat Bracket	05700-011-81-64
5	1	Decal, Thermostat Regulating	09905-011-84-31
6	1	Thermostat, Wash Regulating	06401-140-00-32
7	1	Fitting, 1/4", Imperial Brass	05310-924-02-05

SECTION 5: PARTS SECTION
TANK, RINSE BOOSTER (CGP MODELS ONLY)



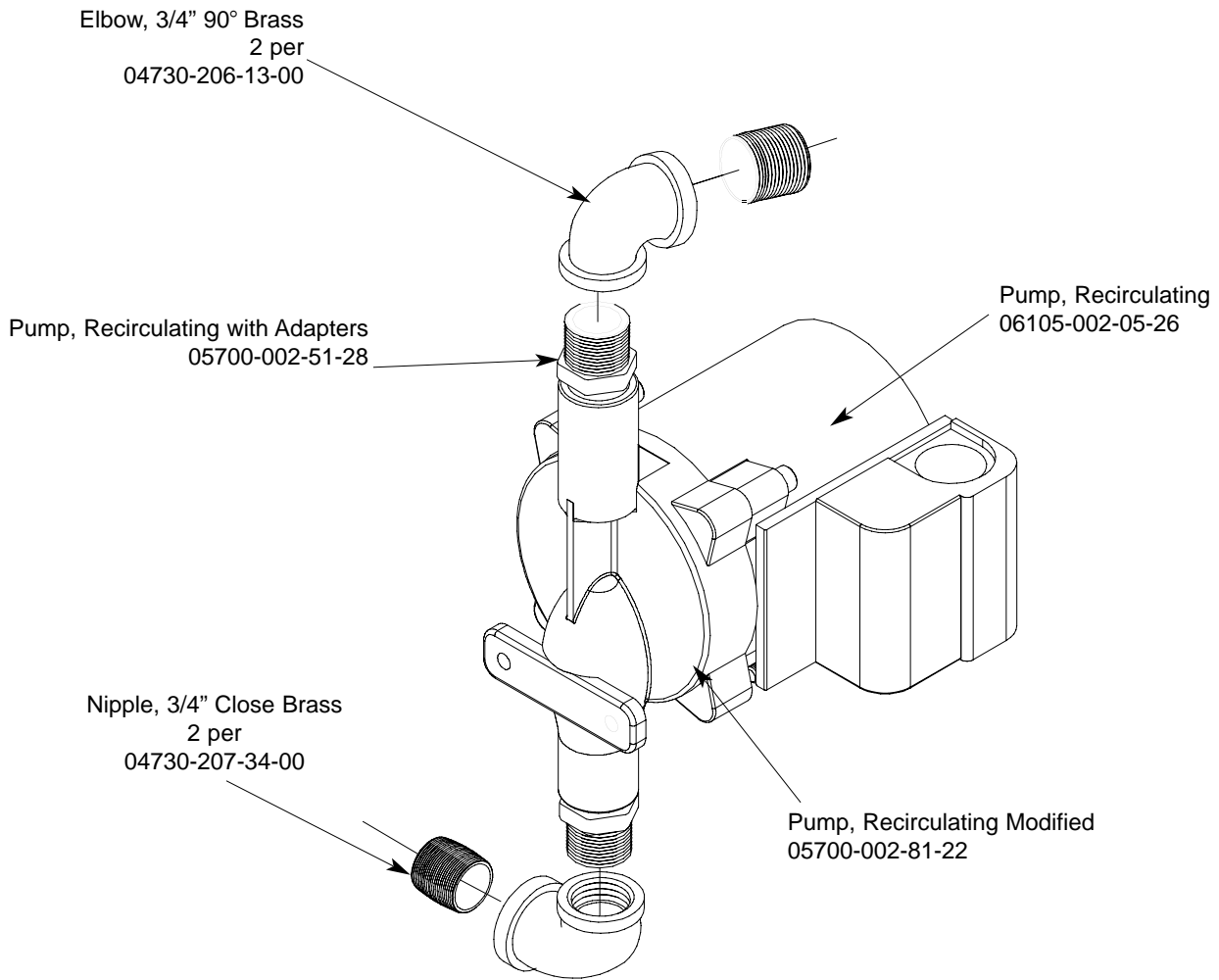
BOTTOM ANGLED VIEW



TOP ANGLED VIEW

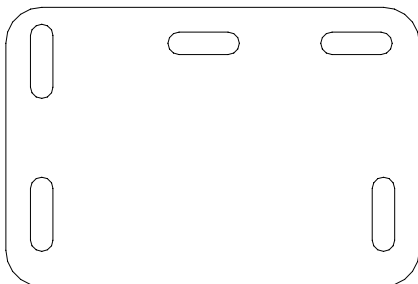
ITEM	QTY	DESCRIPTION	Mfg. No.
1	2	Plumbing Assembly, Inlet/Discharge, Rinse Tank	05700-002-51-24
2	1	Tube, Dispersion Weldment	05700-002-46-16
3	1	Tank, GP Rinse	05700-002-45-05
4	1	Bracket, Upper Rinse Tank	05700-002-67-13
5	1	Bracket, Lower Rinse Tank	05700-002-67-14
6	1	Nipple, 3/4" NPT x 4" Long	04730-207-05-00
7	3	Elbow, 3/4" NPT, 90° Brass	04730-206-13-00
8	1	Nipple, 3/4" NPT x Closed Brass	04730-207-34-00

SECTION 5: PARTS SECTION
RECIRCULATING PUMP ASSEMBLY (CGP MODELS ONLY)

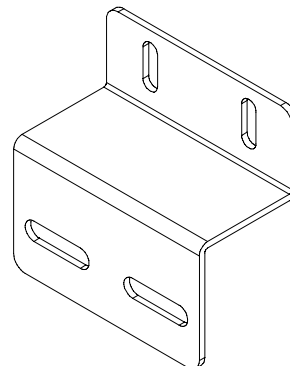


Used only on AJ-86CGP left to right units.

Used on AJ-64CGP, AJ-86CGP, AJ-100CGP units right to left units and the AJ-64CGP left to right unit.

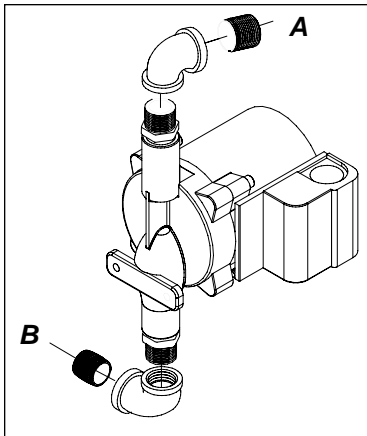


Mounting Bracket
05700-002-25-74

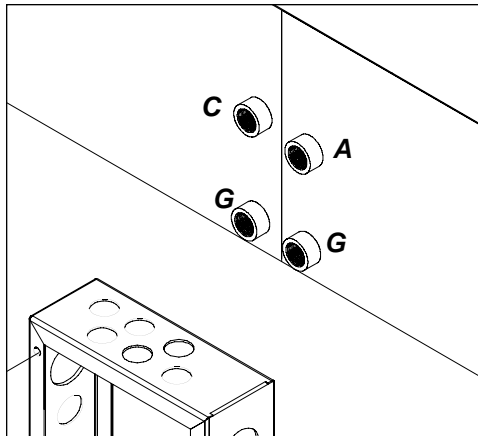


Mounting Bracket
05700-002-23-61

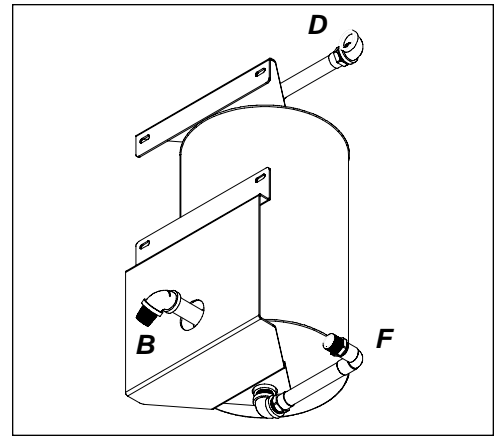
SECTION 5: PARTS SECTION
HOSE CONNECTIONS (CGP MODELS ONLY)



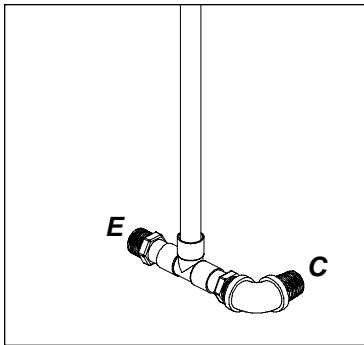
Recirculating Pump Assembly



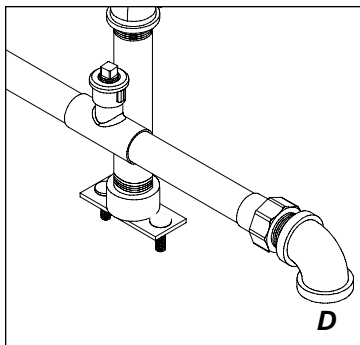
Gas Coil Weldment



Rinse Booster Tank



Rinse Header Plumbing Assembly



Wash/Fill Plumbing Assembly

HOSE ASSEMBLIES

AJ-86CGP (L-R & R-L)

AJ-100CGP (L-R)

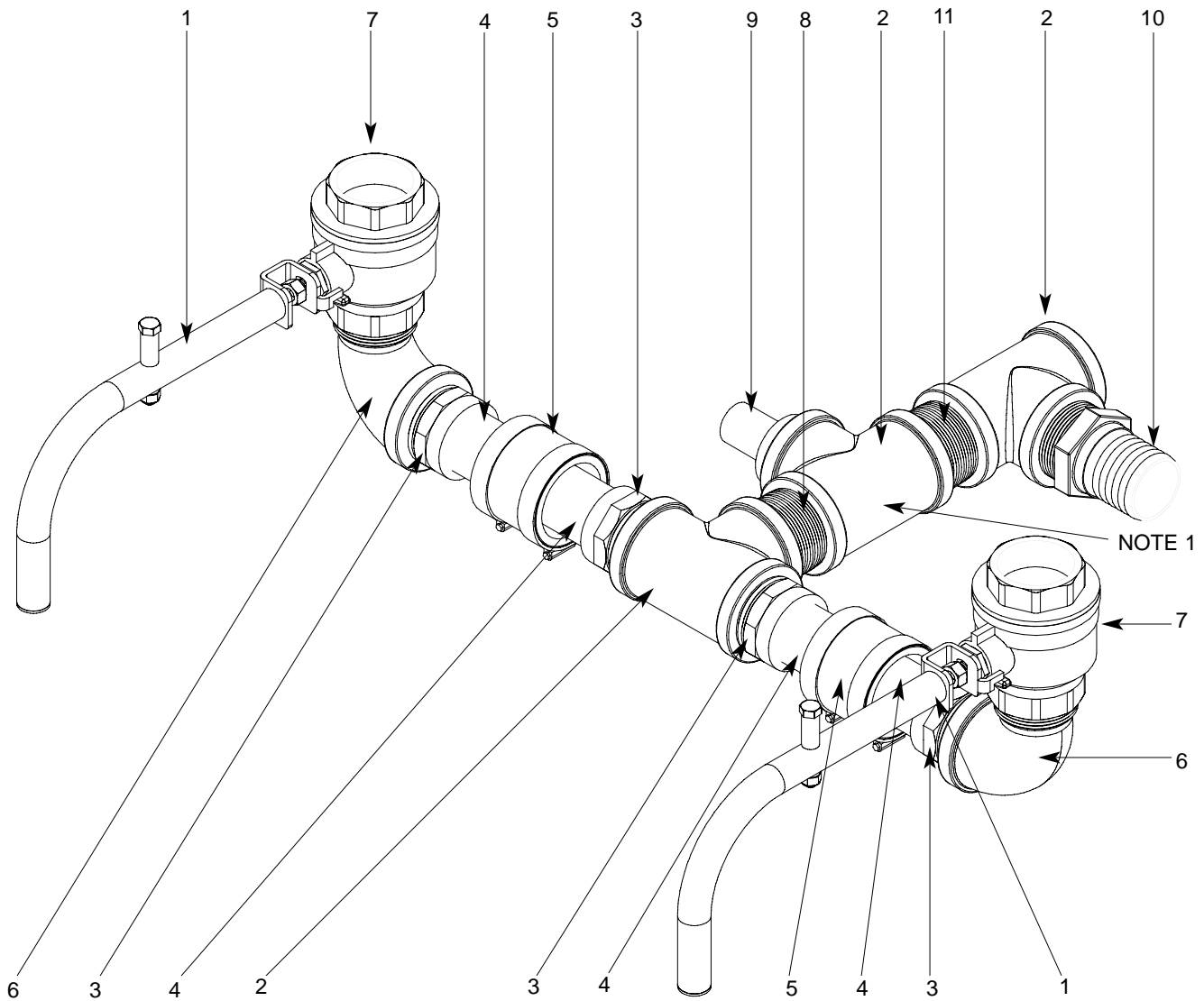
*Each hose assembly includes 2, 3/4" Pushlock Fittings part number 04730-011-94-00.

A - Hose, Recirculating Discharge	05700-002-52-74	05700-002-52-76
B - Hose, Recirculating Pump Suction	05700-002-52-75	05700-002-51-38
C - Hose, Wash Coil Assembly	05700-002-52-76	04720-011-94-10 (66")
D - Hose, Wash/Fill Supply	05700-003-03-97	05700-003-03-99
E - Hose connection to existing gas booster outlet fitting.		
F - Hose connection to existing gas booster inlet fitting.		
G - Hose, Coil Recirculating	05700-002-17-71	05700-002-17-71

Gas Booster Connection Kit 05700-002-51-73 includes:
 18 Feet of 3/4" Hose
 4 - 3/4" Push Lock Fittings

SECTION 5: PARTS SECTION

AJ-64 DRAIN PLUMBING ASSEMBLY

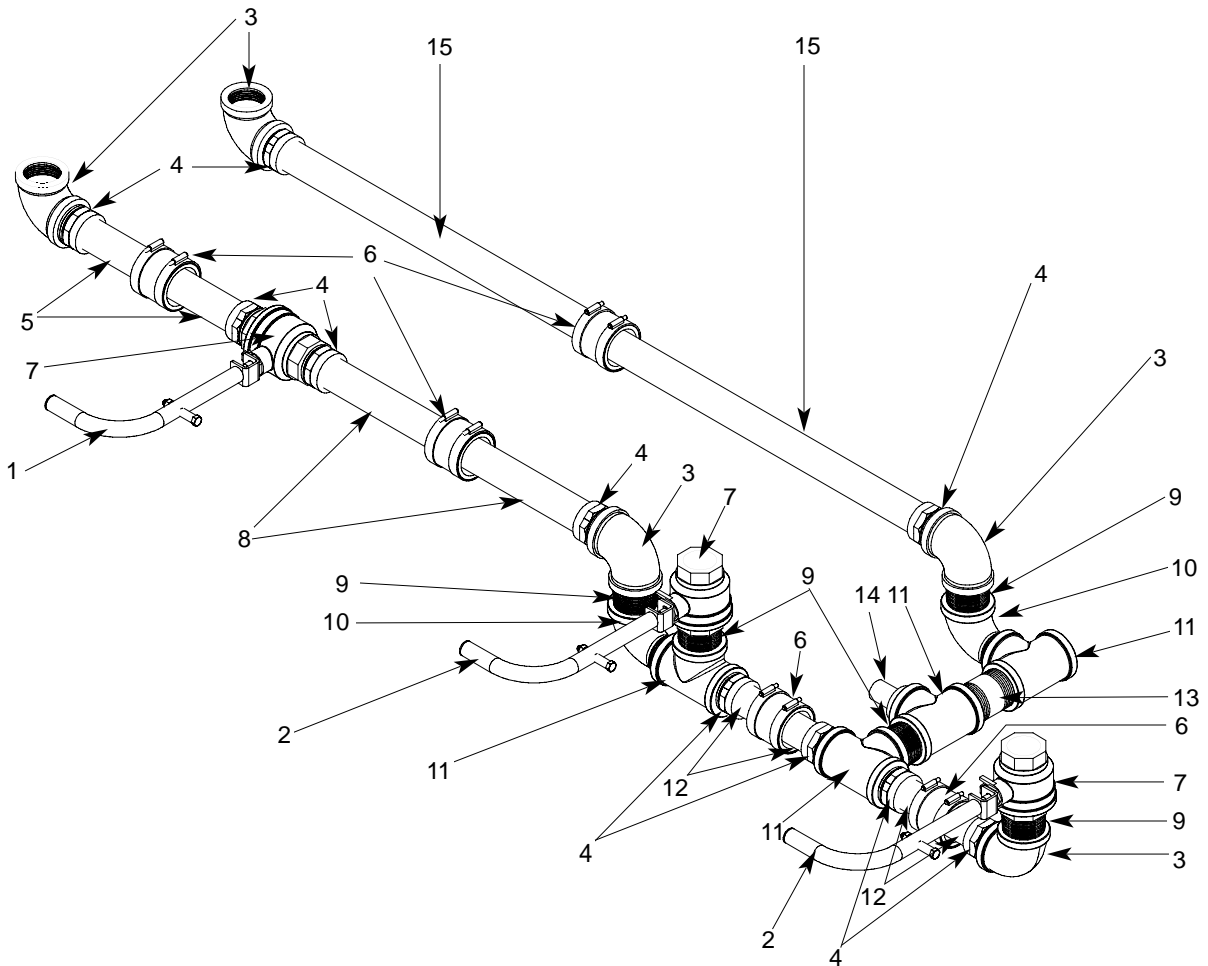


ITEM	QTY	DESCRIPTION	Mfg. No.
1	2	Ball Valve Handle Assembly	05700-021-84-74
	1	Spacer (Not Shown)	05700-002-87-05
2	3	Tee, Brass, 1-1/2" x 1-1/2" x 1-1/2"	04730-011-69-93
3	4	Adapter, 1-1/2"	04730-401-25-01
4	4	Tube, Copper, 1-1/2" OD x 2" Long	05700-011-87-16
5	2	Connector, No-Hub, 1-1/2"	04720-604-06-00
6	2	Elbow, 1-1/2", Street, Brass, 90°	04730-206-32-00
7	2	Valve, Ball, 1-1/2" NPT	04820-111-71-46
8	1	Nipple, 1-1/2" NPT, Brass, Close	04730-207-40-00
9	1	Rinse Nipple Weldment	05700-021-84-61
10	1	Fitting, Barbed, 1-1/2" NPT x 1-1/2"	04730-011-69-92
11	1	Nipple, Brass, 1-1/2" x 3" Long	04730-011-87-04

NOTE 1: Component is shown for installation in a Right-to-Left model; component is rotated 180 degrees for Left-to-Right units.

SECTION 5: PARTS SECTION

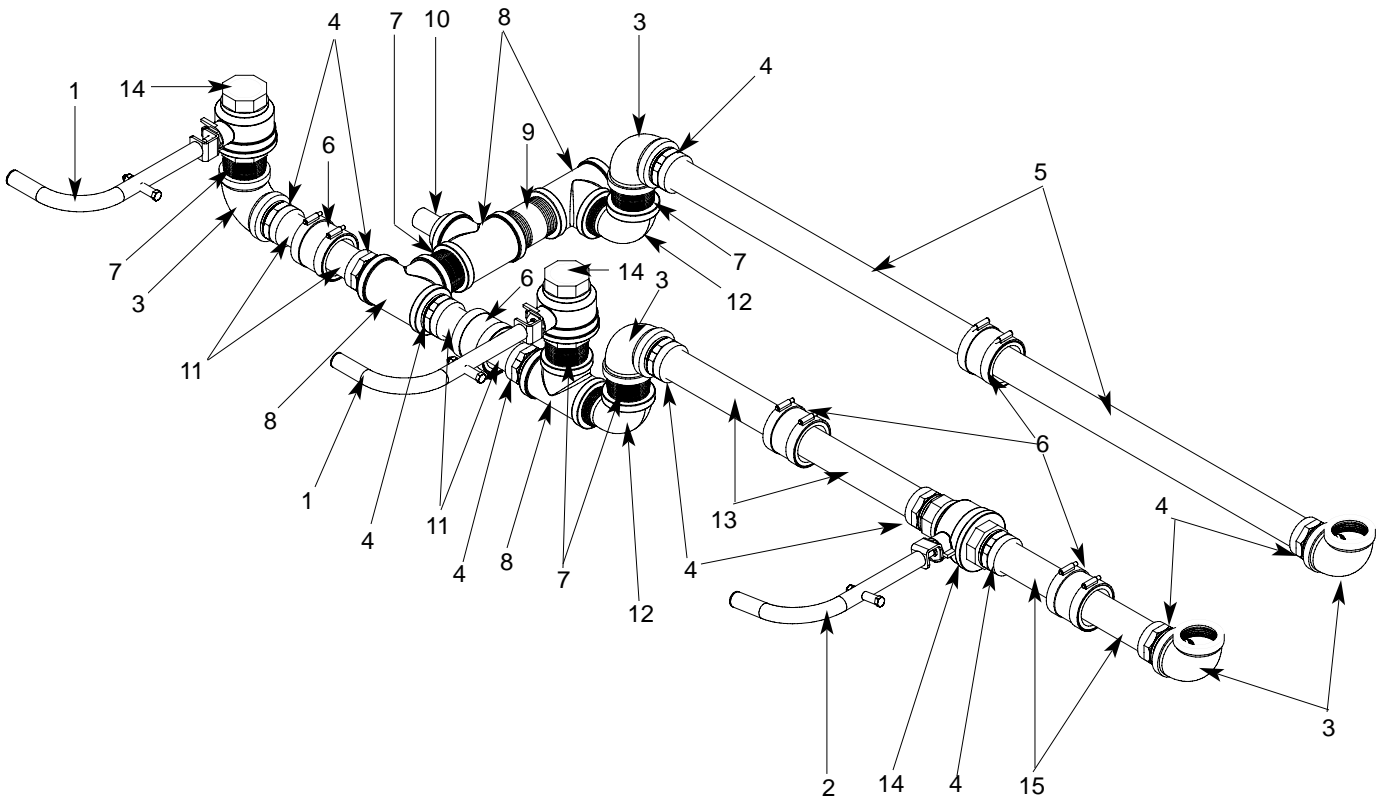
AJ-86 & AJ-100 DRAIN PLUMBING ASSEMBLY (LEFT TO RIGHT MODELS)



ITEM	QTY	DESCRIPTION	Mfg. No.
1	1	Ball Valve Handle	05700-021-84-74
		Spacer (Not Shown)	05700-002-87-05
2	2	Ball Valve Handle	05700-021-83-53
		Spacer (Not Shown)	05700-002-87-05
3	5	Elbow, 1-1/2" FNPT, 90° Brass	04730-011-73-77
4	10	Adapter, 1-1/2"	04730-401-25-01
5	2	Tube, Copper, 1-1/2" OD x 4-7/16" Long (AJ-86 Models)	05700-011-84-22
	2	Tube, Copper, 1-1/2" OD x 5-1/4" Long (AJ-100 Models)	05700-002-79-12
6	5	Connector, No-Hub, 1-1/2"	04720-604-06-00
7	3	Ball Valve, 1-1/2"	04820-011-71-46
8	2	Tube, Copper, 1-1/2" OD x 7-3/4" Long (AJ-86 Models)	05700-021-84-24
	2	Tube, Copper, 1-1/2" OD x 13-3/4" Long (AJ-100 Models)	05700-021-88-17
9	5	Nipple, 1-1/2" NPT, Brass, Close	04730-207-40-00
10	2	Elbow, 1-1/2" NPT, Brass, Street	04730-206-32-00
11	4	Tee, Brass, 1-1/2" NPT	04730-011-69-93
12	4	Tube, Copper, 1-1/2" OD x 2" Long	05700-011-87-16
13	1	Nipple, Brass, 1-1/2" NPT x 3" Long	04730-011-87-04
14	1	Rinse Nipple Weldment	05700-021-84-61
15	2	Tube, Copper, 1-1/2" OD x 20-1/8" Long (AJ-86 Models)	05700-021-84-29
	2	Tube, Copper, 1-1/2" OD x 27-1/2" Long (AJ-100 Models)	05700-021-84-28

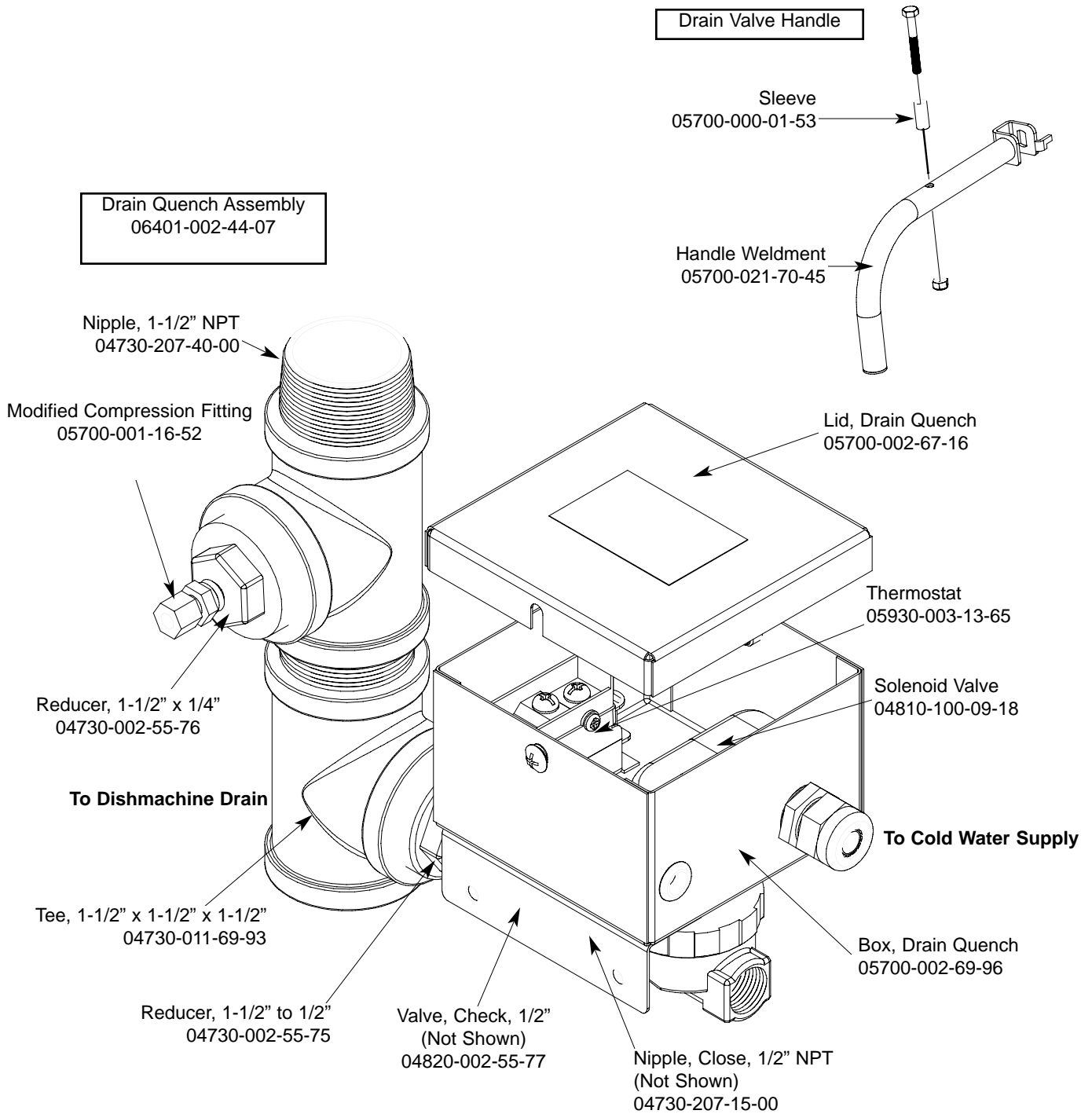
SECTION 5: PARTS SECTION

AJ-86 & AJ-100 DRAIN PLUMBING ASSEMBLY (RIGHT TO LEFT MODELS)



ITEM	QTY	DESCRIPTION	Mfg. No.
1	2	Ball Valve Handle Assembly Spacer (Not Shown)	05700-021-83-53
2	1	Ball Valve Handle Assembly Spacer (Not Shown)	05700-002-87-05
3	5	Elbow, 1-1/2" FNPT, 90°, Brass	05700-021-84-74
4	10	Adapter, 1-1/2" NPT	05700-002-87-05
5	2	Tube, 1-1/2" x 20-1/8" Long (AJ-86 Models)	04730-011-73-77
6	2	Tube, Copper, 1-1/2" x 27-1/2" Long (AJ-100 Models)	05700-021-84-29
7	5	Connector, No Hub, 1-1/2"	05700-021-84-28
8	5	Nipple, 1-1/2" NPT, Brass, Close	04720-604-06-00
9	4	Tee, 1-1/2" NPT x 1-1/2" NPT x 1-1/2" NPT	04730-207-40-00
10	1	Nipple, 1-1/2" NPT x 3 Long, Brass	04730-011-69-93
11	1	Rinse Nipple Weldment	04730-011-87-04
12	4	Tube, Copper, 1-1/2" x 2" Long	05700-021-84-61
13	2	Elbow, 1-1/2" NPT, 90°, Brass, Street	05700-011-87-16
14	2	Tube, Copper, 1-1/2" x 7-3/4" Long (AJ-86 Models)	04730-206-32-00
15	2	Tube, Copper, 1-1/2" x 13-3/4" Long (AJ-100 Models)	05700-021-84-24
16	2	Tube, Copper, 1-1/2" x 4-7/16" Long (AJ-86 Models)	05700-021-88-17
17	2	Tube, Copper, 1-1/2" x 5-1/4" Long (AJ-100 Models)	04820-011-71-46
18	2	Valve, Ball, 1-1/2" NPT	05700-011-84-22
19	2	Tube, Copper, 1-1/2" x 4-7/16" Long (AJ-86 Models)	05700-011-84-22
20	2	Tube, Copper, 1-1/2" x 5-1/4" Long (AJ-100 Models)	05700-002-79-12

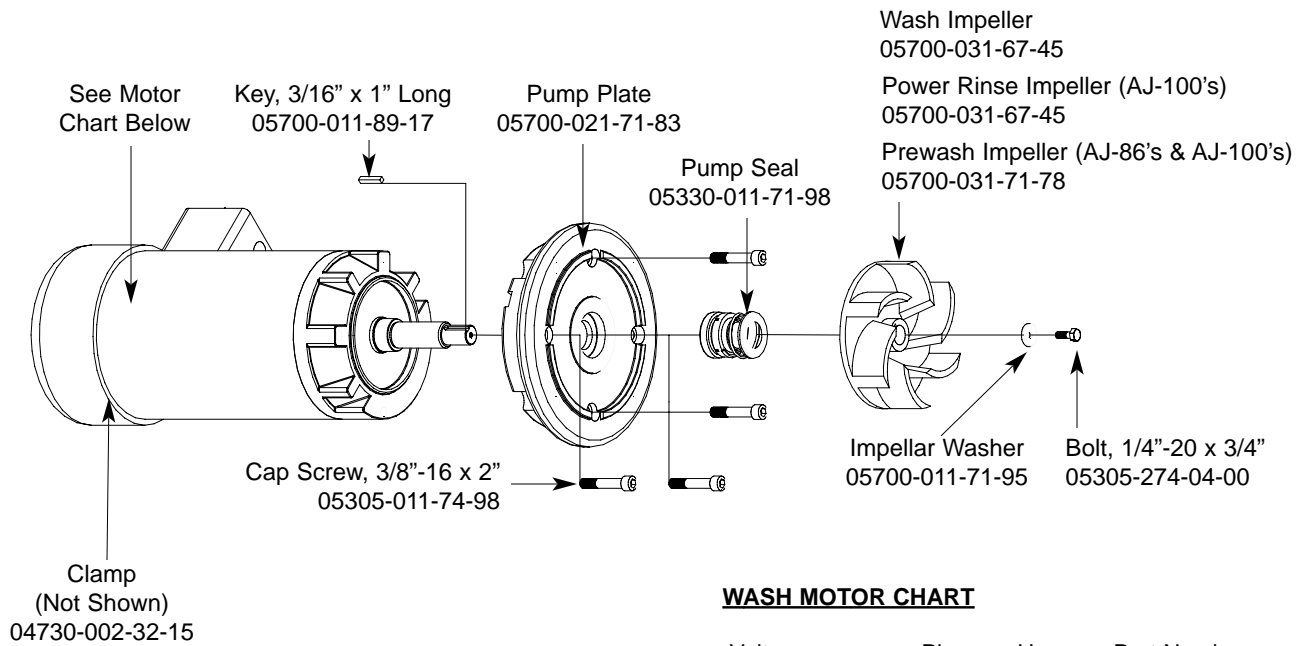
SECTION 5: PARTS SECTION
DRAIN VALVE HANDLE ASSEMBLY/DRAIN QUENCH SYSTEM



From the existing drain, attach the two additional Tees using the 1-1/2" NPT Close Nipples. Tighten the Reducers into the Tees as shown above. Attach the Modified Compression Fitting into the 1-1/2" to 1/4" Reducer. Position the bulb of the thermostat so that it rests approximately 1/4" from the bottom of the Tee. Tighten the Modified Compression Fitting as required. Attach to the incoming cold water line. Use pipe dope or thread tape as required to prevent any leaks.

SECTION 5: PARTS SECTION

MOTOR ASSEMBLIES



WASH MOTOR CHART

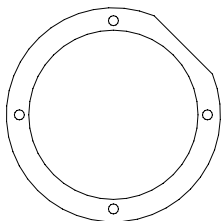
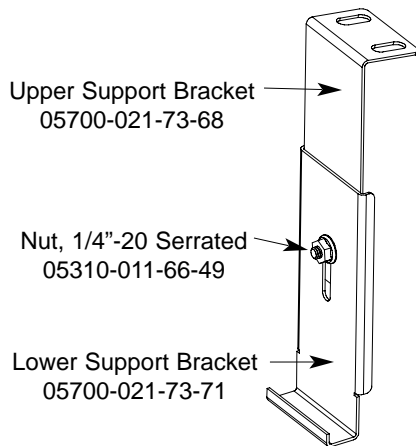
Volts	Phase	Hz	Part Number
208 - 230	1	60	06105-021-70-57
200 - 230	3	60	06105-121-70-58
460	3	60	06105-121-70-58

PREWASH MOTOR CHART

Model(s)	Volts	Phase	Hz	Part Number
AJ-86's	208	1	60	06105-121-70-55
	230	1	60	06105-121-70-55
	208	3	60	06105-121-70-56
	230	3	60	06105-121-70-56
	460	3	60	06105-121-70-56
AJ-100's	208	1	60	06105-121-70-57
	230	1	60	06105-121-70-57
	208	3	60	06105-121-70-58
	230	3	60	06105-121-70-58
	460	3	60	06105-121-70-58

POWER RINSE MOTOR CHART

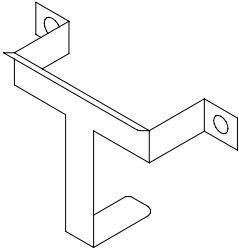
Model(s)	Volts	Phase	Hz	Part Number
AJ-100's	208	1	60	06105-121-70-57
	230	1	60	06105-121-70-57
	208	3	60	06105-121-70-58
	230	3	60	06105-121-70-58
	460	3	60	06105-121-70-58



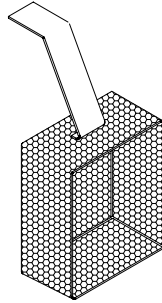
Motor Mounting Gasket
05330-011-71-62

SECTION 5: PARTS SECTION
PREWASH & WASH PUMP WELDMENT

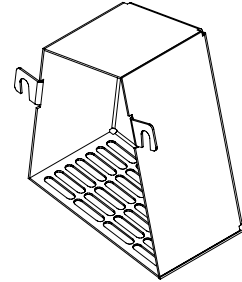
Prewash Strainer Bracket
05700-021-74-94



Prewash Intake Strainer Weldment
05700-021-74-96

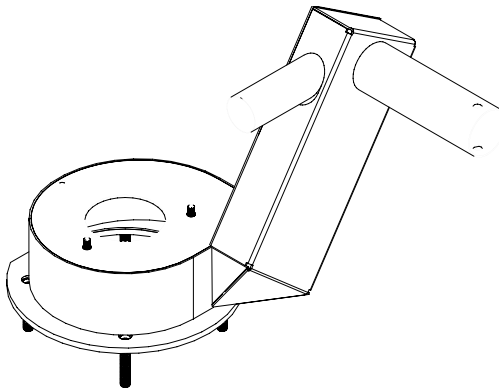


Intake Suction Scoop Weldment
05700-021-87-60



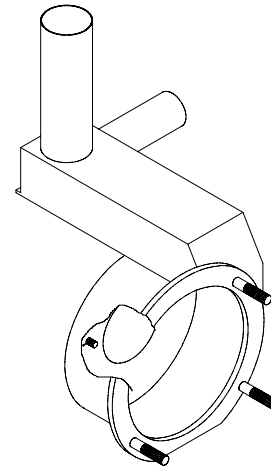
The pump weldment is secured to the pump plate (through the actual tub wall) using the following fasteners:

- | | |
|-------------------------|-----------------|
| Nut, Hex, 3/8"-16 | 05310-276-01-00 |
| Washer, Flat, 3/8" | 05311-176-01-00 |
| Lockwasher, Split, 3/8" | 05311-276-01-00 |

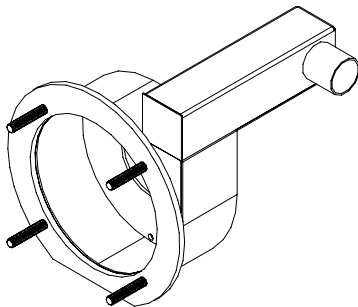


The power rinse pump weldment is a single part. Separate pieces of the weldment are not available for purchase.

Power Rinse Pump Weldment (AJ-100's)
05700-031-81-47

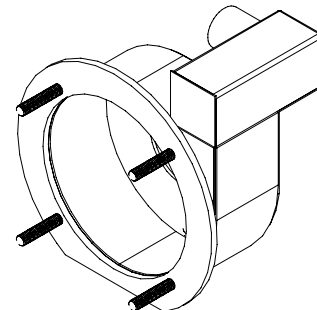


The wash pump weldment is a single part. Separate pieces of the weldment are not available for purchase. The weldment is used for the wash pump in all models covered in this manual. The weldment may be ordered using part number 05700-041-68-88.



The prewash pump weldment is a single part. Separate pieces of the weldment are not available for purchase.

Prewash Pump Weldment
AJ-86/AJ-100 Left to Right models: 05700-002-10-62



The prewash pump weldment is a single part. Separate pieces of the weldment are not available for purchase.

Prewash Pump Weldment
AJ-86/AJ-100 Right to Left models: 05700-002-11-96

SECTION 5: PARTS SECTION

PREWASH & UPPER WASH ARM ASSEMBLIES



Upper Wash Manifold Support Bracket
05700-021-73-97

Replacement Kit Note:
The replacement kit for the end cap includes the endcap, lanyard, mounting screw and the locknut.

End Cap Replacement Kit
06401-003-10-19

Prewash Tube Weldment
05700-001-16-89

Complete Prewash Arm Assembly
05700-021-74-65

Upper Wash Arm Weldment
05700-031-67-34

Complete Upper Wash Arm Assembly
05700-031-74-99

Replacement Kit Note:
The replacement kit for the end cap includes the endcap, lanyard, mounting screw and the locknut.

End Cap Replacement Kit
06401-003-10-19

End Cap
05700-011-67-11

Cap, Wash Tube
05700-021-69-68

Lanyard
05340-011-72-46

Locknut, 10-24 with Nylon Insert
05310-373-01-00

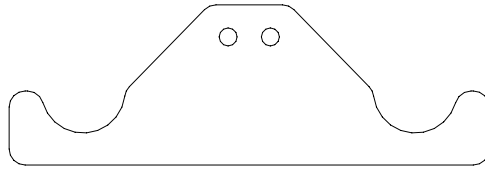
Screw, 10-32 x 3/8" Truss Head
05305-173-12-00

SERVICE NOTE: When replacing the 10-32 screws in the End Caps, it is recommended that a thread locking fluid be used to ensure that the screws do not back out during normal operation.

SECTION 5: PARTS SECTION

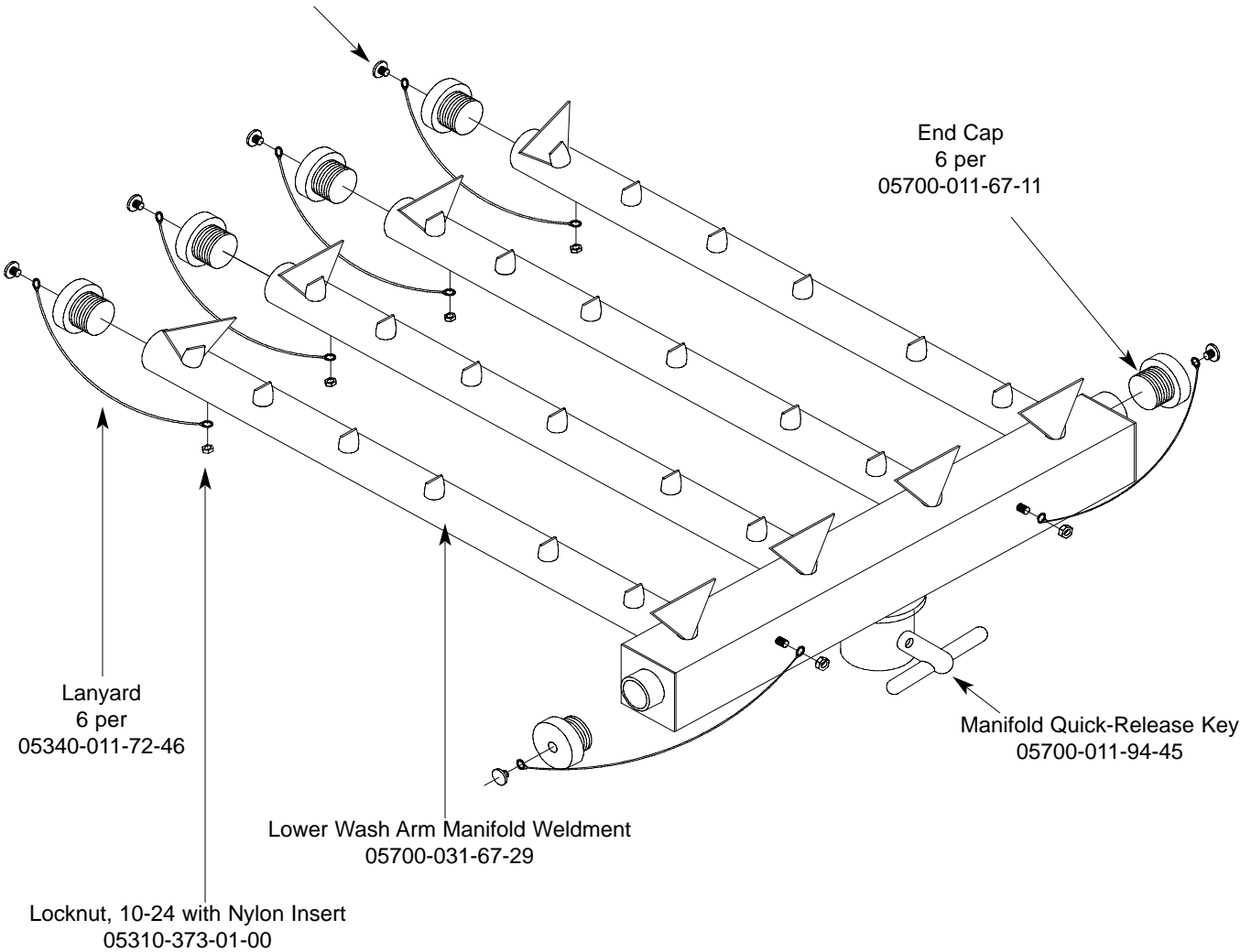
LOWER WASH ARM ASSEMBLY

Lower Wash Arm Support Bracket
05700-011-71-20
Secured with Locknut, 1/4"-20 with Nylon Insert
05310-374-01-00



Screw, 10-32 x 3/8" Truss Head
05305-173-12-00

End Cap
6 per
05700-011-67-11



Lanyard
6 per
05340-011-72-46

Lower Wash Arm Manifold Weldment
05700-031-67-29

Manifold Quick-Release Key
05700-011-94-45

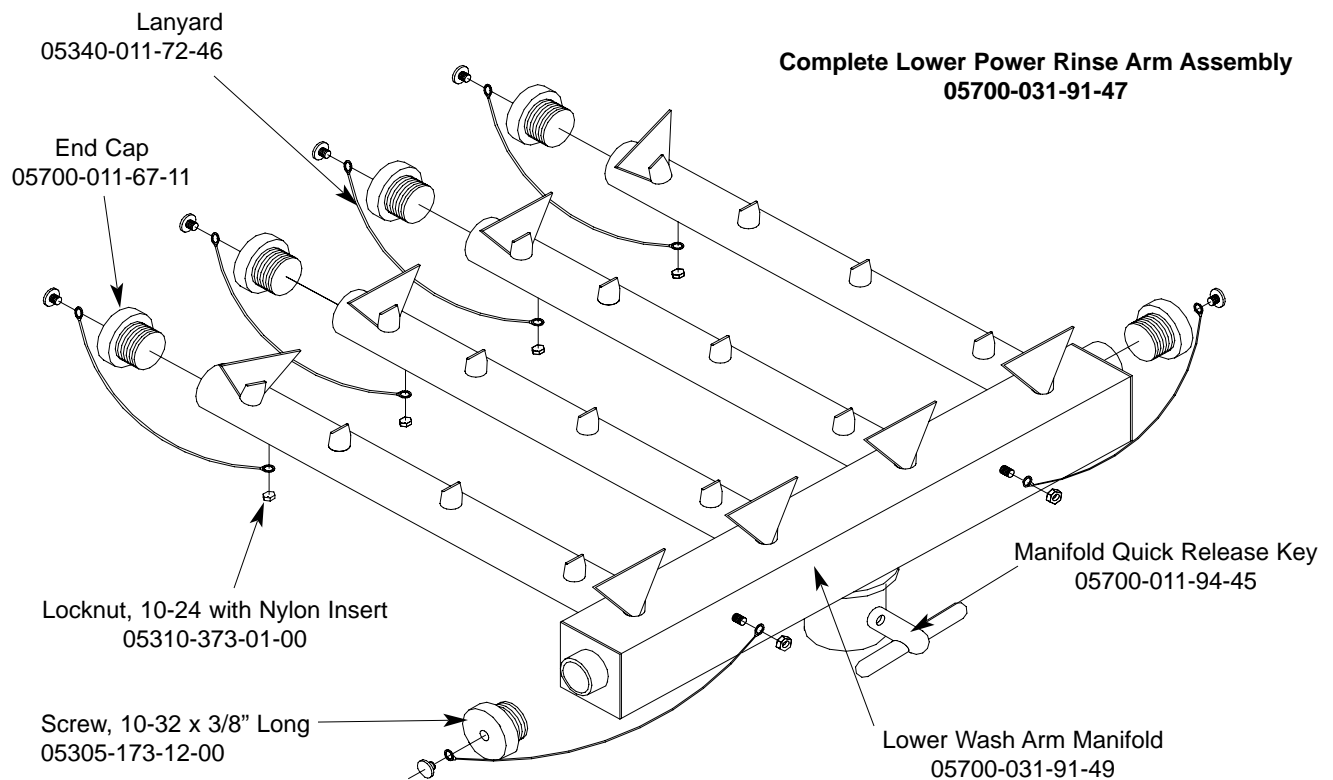
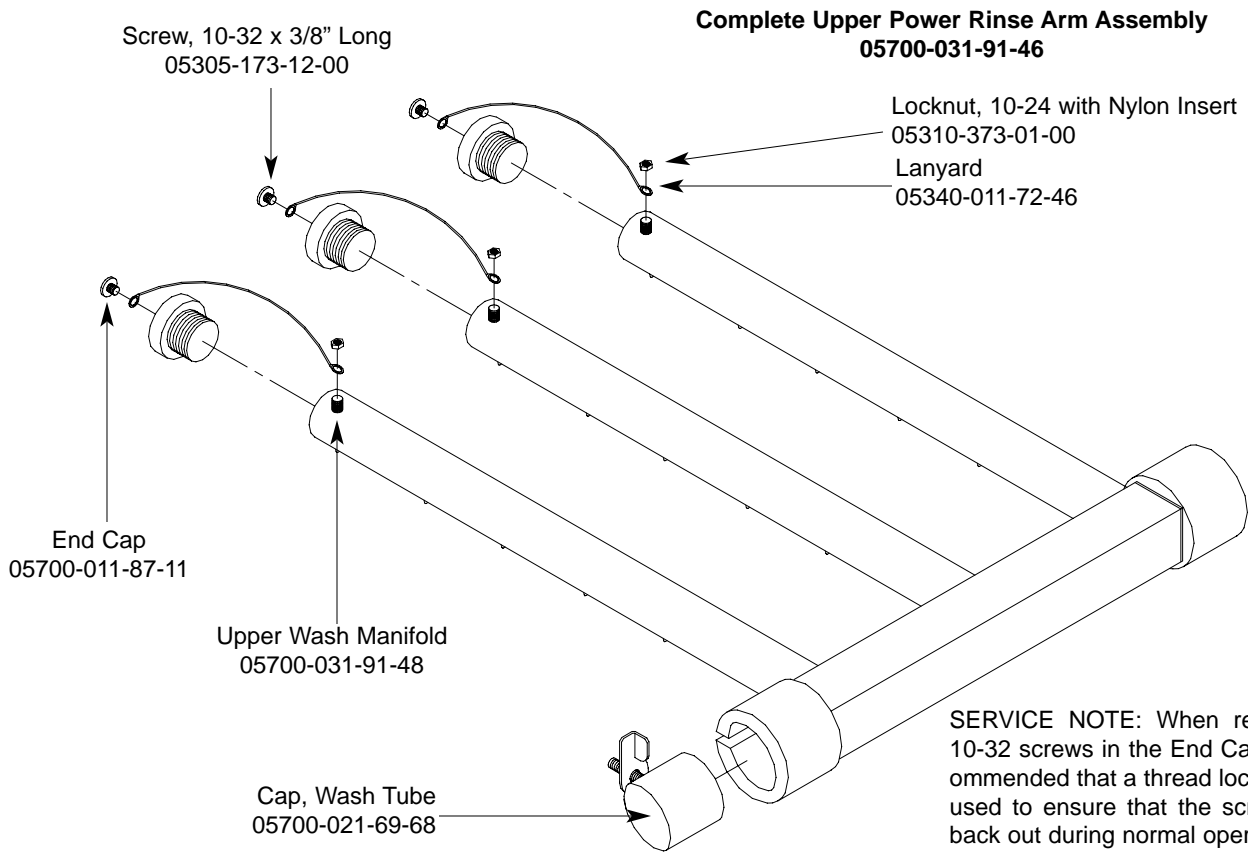
Locknut, 10-24 with Nylon Insert
05310-373-01-00

**Complete Lower Wash Arm Assembly
05700-031-74-66**

SERVICE NOTE: When replacing the 10-32 screws in the End Caps, it is recommended that a thread locking fluid be used to ensure that the screws do not back out during normal operation.

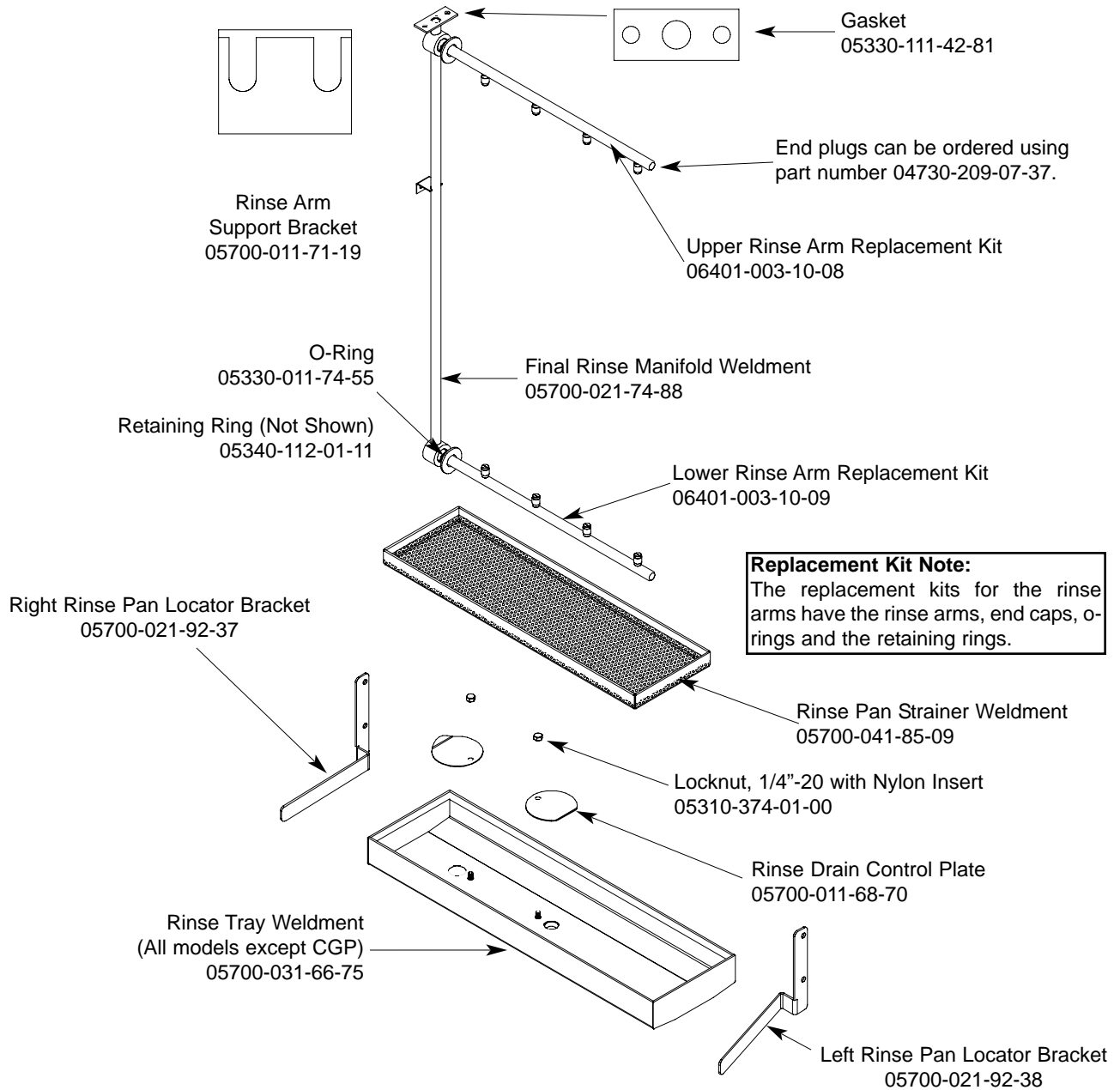
SECTION 5: PARTS SECTION

UPPER & LOWER POWER RINSE ARM ASSEMBLIES

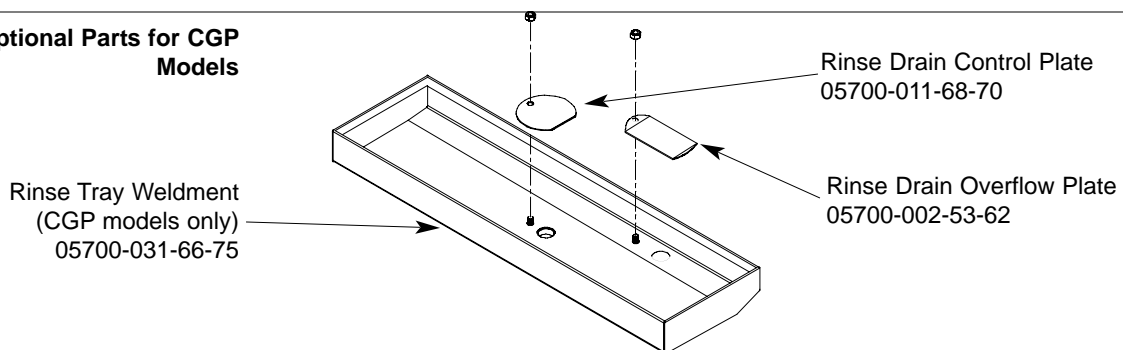


SECTION 5: PARTS SECTION

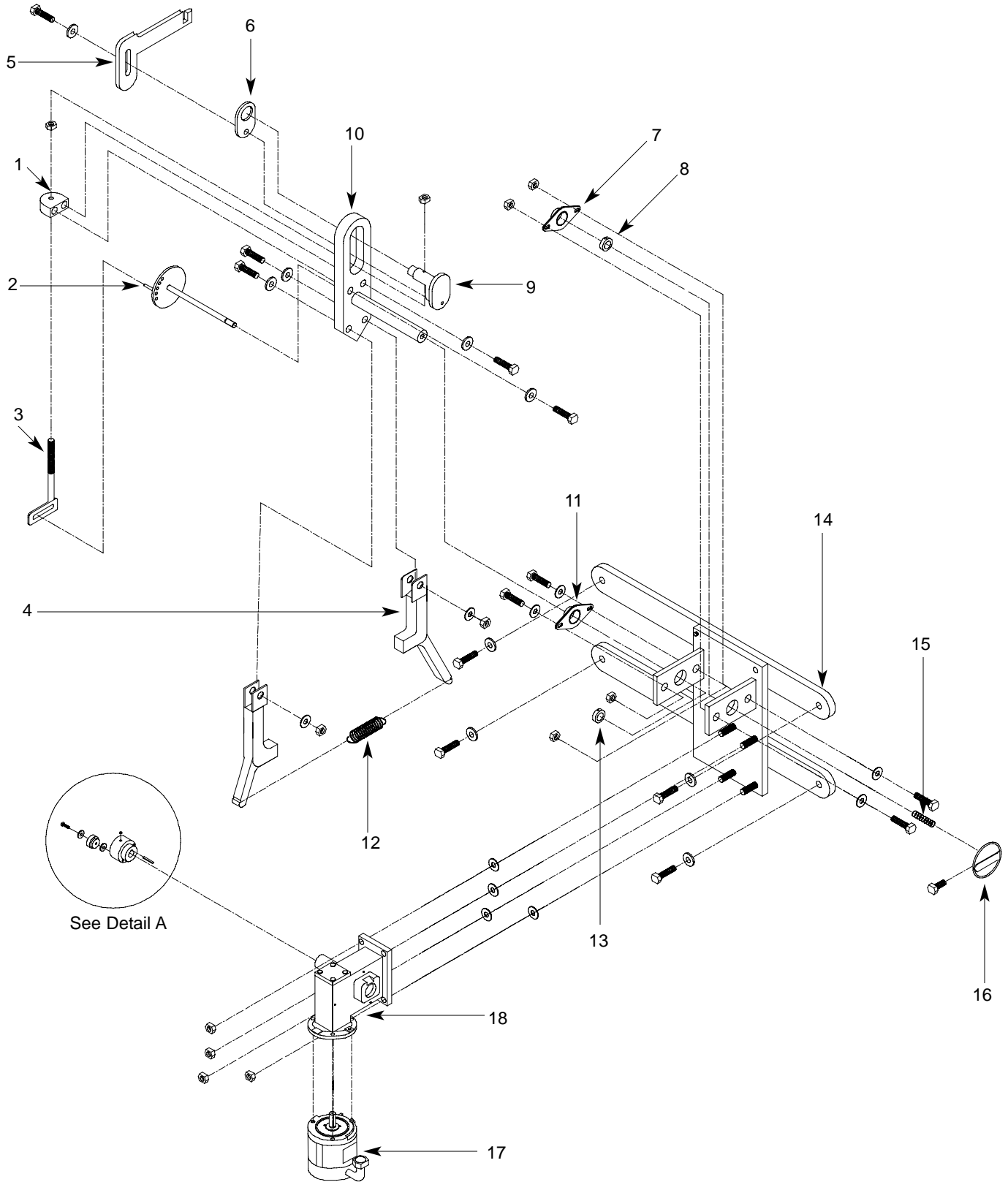
FINAL RINSE ASSEMBLY



Optional Parts for CGP Models



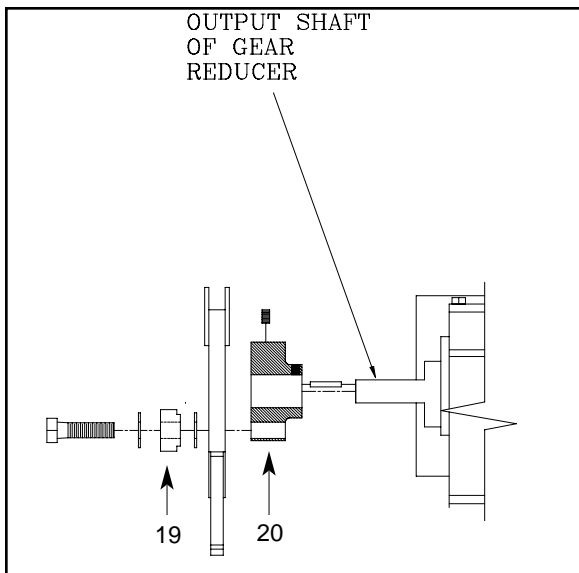
SECTION 5: PARTS SECTION
DRIVE ASSEMBLY



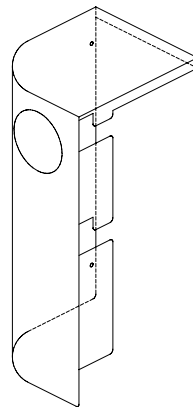
SECTION 5: PARTS SECTION

DRIVE ASSEMBLY (CONTINUED)

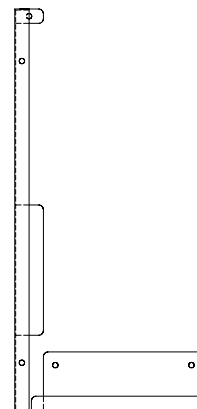
ITEM	QTY	DESCRIPTION	Mfg. No.
1	1	Drive Plate and Rod Weldment	05700-021-67-44
		Replacement Kit with Expansion Legs	06401-021-86-80
		Replacement Kit with Expansion Legs/Adjuster Crank	06401-011-94-54
2	1	Adjuster Crank Assembly	05700-021-69-95
3	1	Scotch Yoke Weldment Replacement Kit	06401-003-08-48
4	2	Coupling & Expansion Leg Weldment	05700-021-67-50
5	1	Pawl Bar Drive Linkage Casting	09515-021-87-73
6	1	Spacer Plate	05700-011-67-58
7	2	Pillow Block Replacment Kit	06401-003-08-50
8	2	Shaft Collar	05700-011-89-18
9	1	Drive Socket	05700-021-67-39
10	1	Drive Plate	05700-021-67-42
11	2	Pillow Block	03120-021-71-87
12	1	Drive Spring	05315-011-83-51
13	2	Shaft Collar	05700-011-89-18
14	1	Drive Motor Mounting Bracket	05700-031-73-56
15	1	Adjuster Spring	05315-011-71-90
16	1	Adjusting Handle Weldment	05700-021-72-28
17	1	Drive Motor Replacement Kits	
	1	Drive Motor (208-230 Volt, 60 Hz, Single Phase Models)	06401-003-08-42
	1	Drive Motor (208-230 Volt, 60 Hz, Three Phase Models)	06401-003-08-40
18	1	Gear Drive	06105-011-71-88
19	1	Roller Bearing	03120-011-71-81
20	1	Drive Hub	05700-011-67-97



Detail A



Front Drive Motor Cover
Replacement Kit
06401-003-11-64

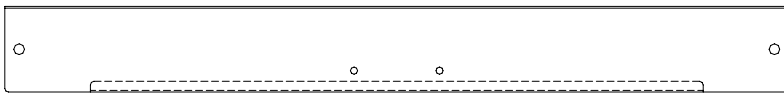
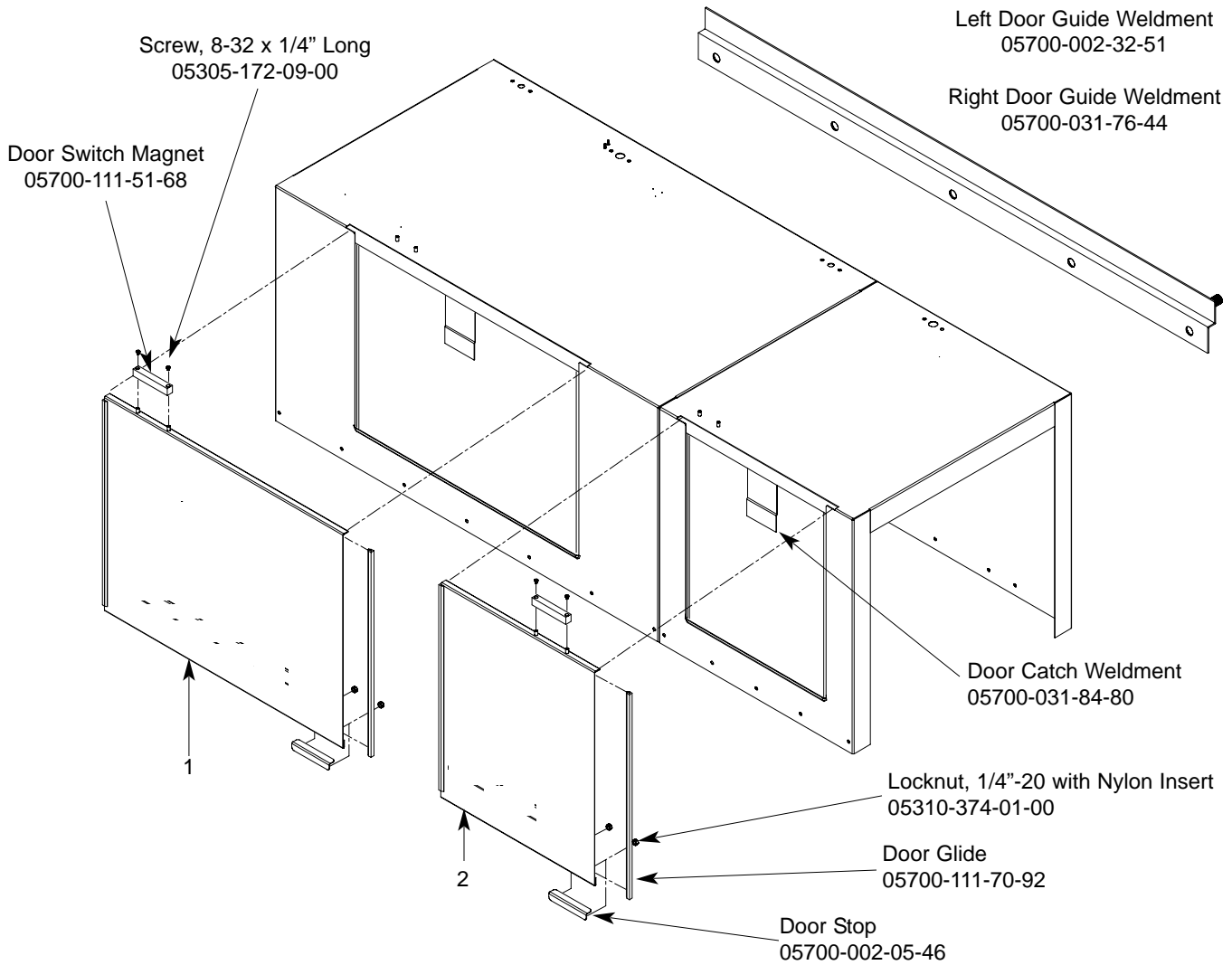


Rear Drive Motor Cover
Replacment Kit
06401-003-10-18

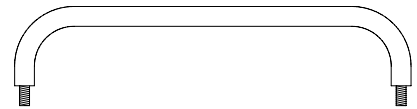
Replacement Kits Notes:

The replacement kits for the drive motor covers come with the weldments and the mounting hardware.

SECTION 5: PARTS SECTION
DOOR ASSEMBLIES



Wash Door Hood Support: 05700-031-84-13
Prewash Door Hood Support: 05700-031-84-14

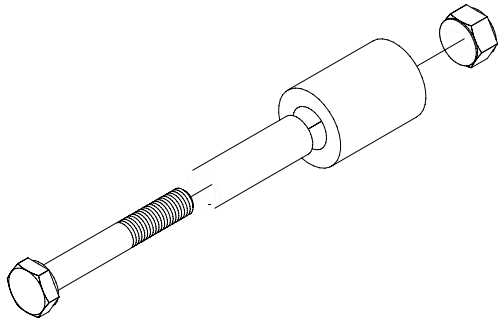


Wash Door Handle Weldment
05700-011-82-63

Prewash Door Handle Weldment
05700-011-80-45

ITEM	QTY	DESCRIPTION	Mfg. No.
1	1	Wash Door Weldment	05700-031-83-39
1	1	Wash Door Weldment (No Emboss)	05700-003-13-53
2	1	Prewash Door Weldment (Left to Right Model)	05700-031-95-05
2	1	Prewash Door Weldment (Right to Left Model)	05700-031-95-07
2	1	Prewash Door Weldment - No Emboss (Left to Right Model)	05700-003-13-42
2	1	Prewash Door Weldment - No Emboss (Right to Left Model)	05700-003-13-40
		Wash Door Stiffener (Not Shown)	05700-031-83-43
		Prewash Door Stiffener (Not Shown)	05700-031-83-57

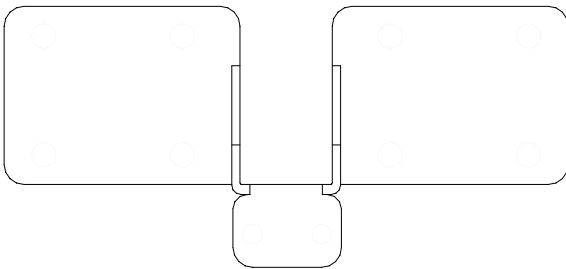
SECTION 5: PARTS SECTION
PAWL BAR MISCELLANEOUS COMPONENTS



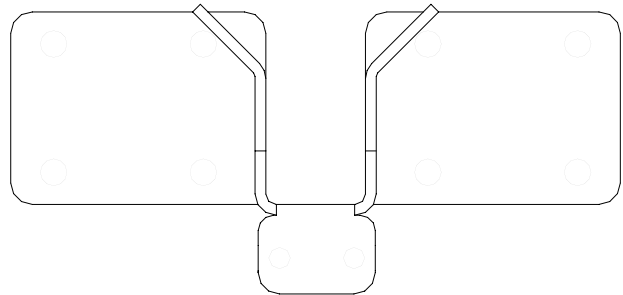
Pawl Bar Roller Replacement Kit
 06401-003-11-80

Replacement Kit Notes:

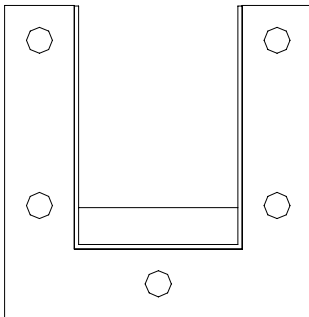
The replacement kit for the pawl bar roller comes with the roller, roller shaft, hardware and locknut as shown.



Pawl Bar Bracket (without tabs) Weldment
 05700-031-92-36



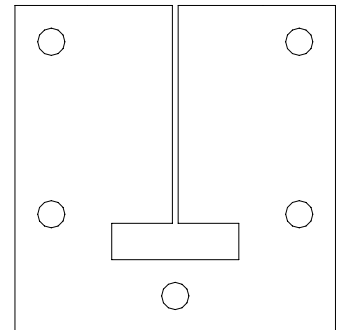
Pawl Bar Bracket (with studs) Weldment
 05700-031-84-68



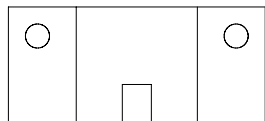
Pawl Bar Gutter Weldment Replacement Kit
 06401-003-09-95

Replacement Kits Notes:

The pawl bar gutter weldment replacement kit contains the weldment, a gasket and the mounting hardware. The guide block kit contains both blocks and a gasket.



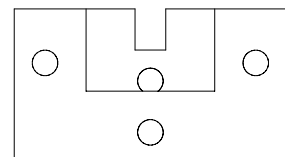
Pawl Bar Gutter Gasket
 05330-011-68-55



Top Guide Block

Guide Block Replacement Kit
 06401-003-10-15

Bottom Guide Block

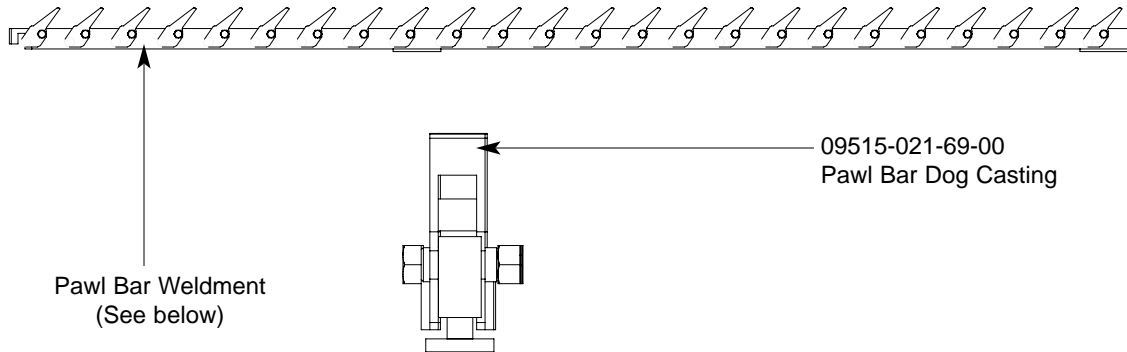


Service Note: It is highly recommended that when changing out one guide block, that the other be changed out as well, along with the gasket.

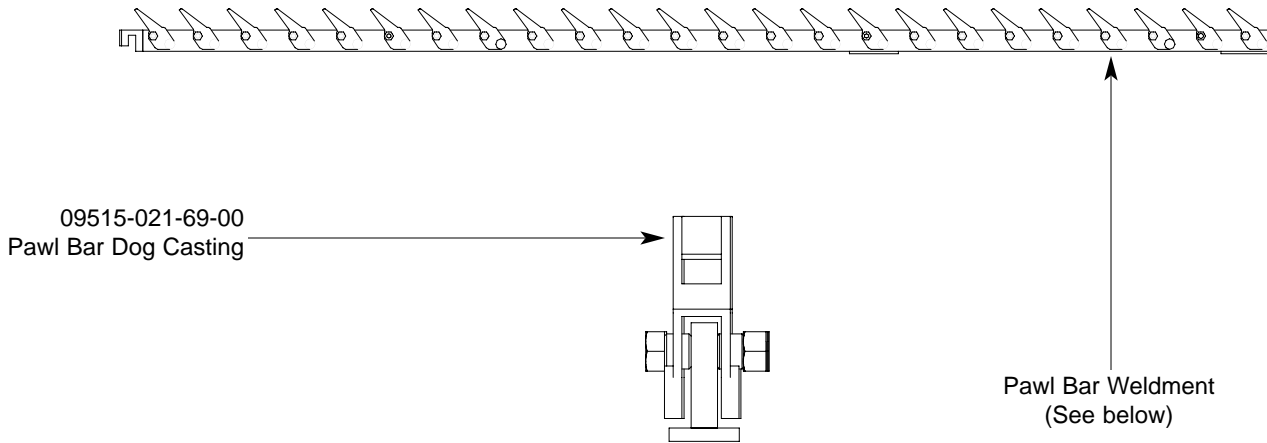
SECTION 5: PARTS SECTION

PAWL BAR ASSEMBLIES

PAWL BAR ASSEMBLY, LEFT TO RIGHT OPERATION



PAWL BAR ASSEMBLY, RIGHT TO LEFT OPERATION



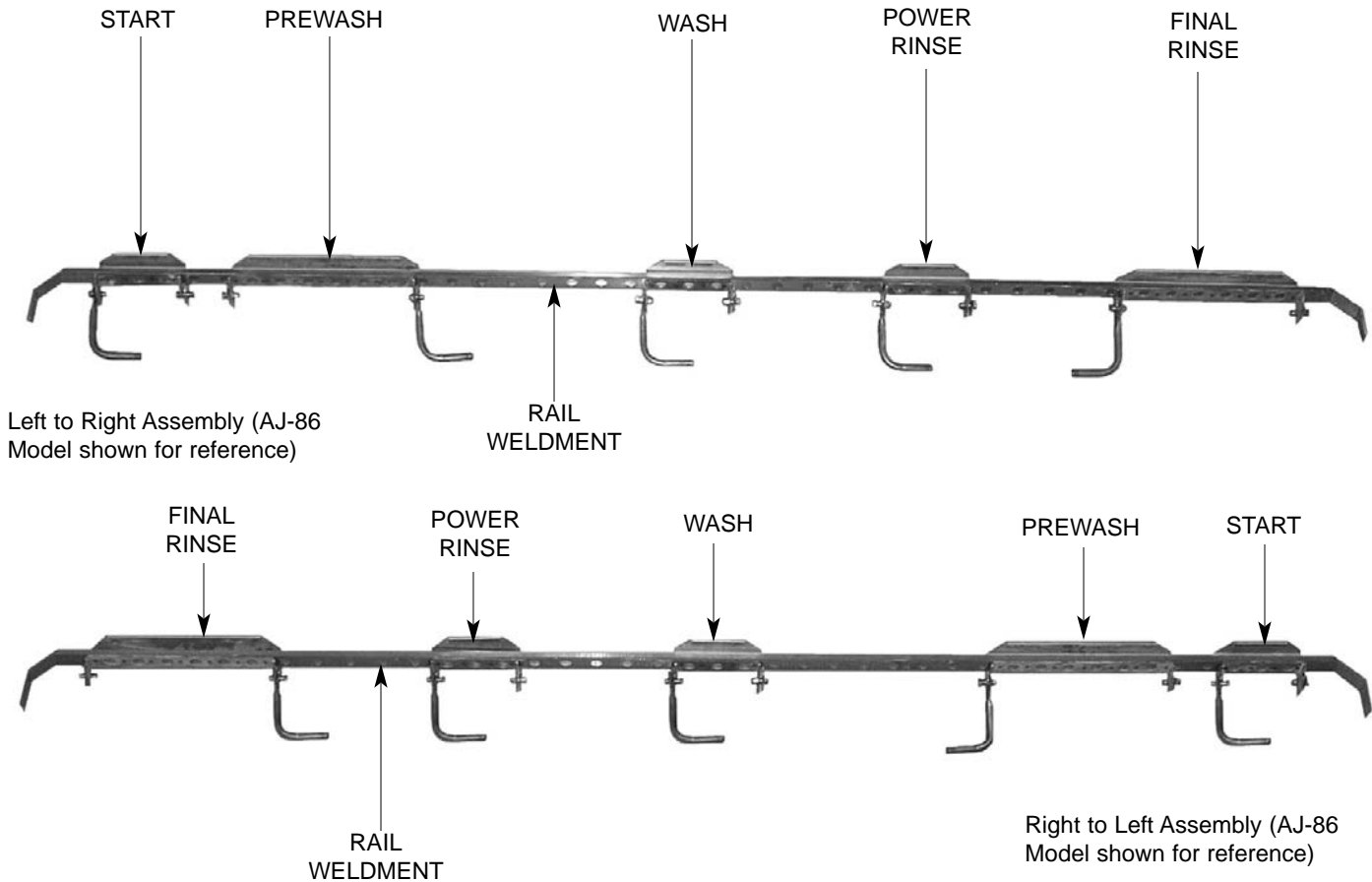
PAWL BAR ASSEMBLIES:

Model	Left to Right Pawl Bar Weldment	Right to Left Pawl Bar Weldment	Pawl Bar Dogs	Complete Assembly	Prison Package
AJ-64	05700-031-81-03	05700-031-81-03	18	06401-131-81-02	06401-231-81-02
AJ-86	05700-041-83-67	05700-002-81-34	24	06401-131-83-75 (L-R) 06401-231-83-75 (R-L)	06401-331-83-75
AJ-86 With Side Loader	N/A	05700-003-13-63	24	N/A (L-R) 05700-003-13-64 (R-L)	N/A N/A
AJ-100	05700-041-91-13	05700-041-91-13	28	06401-141-91-05	06401-241-91-05

PAWL BAR WELDMENT AJ-86 RIGHT TO LEFT WITH A SIDE LOADER



SECTION 5: PARTS SECTION
RACK RAIL ASSEMBLIES



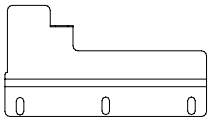
LEFT TO RIGHT:

<u>COMPONENT</u>	<u>AJ-64 MODELS</u>	<u>AJ-86 MODELS</u>	<u>AJ-100 MODELS</u>
Start Actuator	05700-021-72-39	05700-021-72-39	05700-021-72-39
Prewash Actuator	Not Applicable	05700-021-75-68	05700-021-75-68
Wash Actuator	05700-021-72-39	05700-021-72-39	05700-021-72-39
Power Rinse Actuator	05700-021-72-39	05700-021-72-39	05700-021-72-39
Final Rinse Actuator	05700-021-75-68	05700-021-76-96	05700-021-76-96
Rail Weldment	05700-002-74-57	05700-031-83-96	05700-041-94-91
Opposite Rail	05700-041-82-78	05700-041-82-15	05700-041-89-97
Complete Assembly	05700-002-74-55	05700-041-83-72	05700-041-94-90

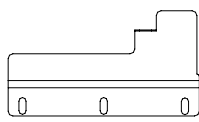
RIGHT TO LEFT:

<u>COMPONENT</u>	<u>AJ-64 MODELS</u>	<u>AJ-86 MODELS</u>	<u>AJ-100 MODELS</u>
Start Actuator	05700-021-72-39	05700-021-72-39	05700-021-72-39
Prewash Actuator	Not Applicable	05700-021-76-96	05700-021-76-96
Wash Actuator	05700-021-72-39	05700-021-72-39	05700-021-72-39
Power Rinse Actuator	05700-021-72-39	05700-021-72-39	05700-021-72-39
Final Rinse Actuator	05700-021-76-96	05700-021-75-68	05700-021-75-68
Rail Weldment	05700-002-74-58	05700-041-91-21	05700-041-91-03
Opposite Rail	05700-041-80-56	05700-041-82-14	05700-041-89-97
Complete Assembly	05700-002-74-56	05700-041-91-20	05700-041-91-04

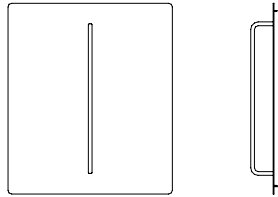
SECTION 5: PARTS SECTION
MISCELLANEOUS PARTS AND WELDMENTS



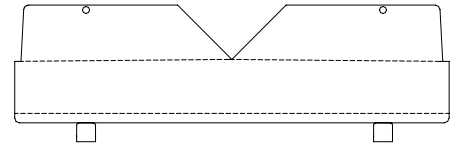
Plate, Left Water Directional
05700-021-79-27



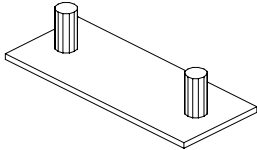
Plate, Right Water Directional
05700-021-79-23



Run Off Sheet Weldment
05700-021-71-39

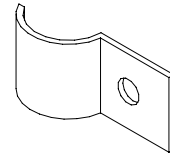


Splash Shield Weldment
05700-031-85-16

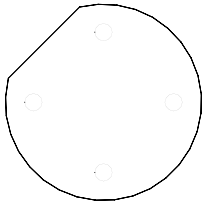


Hole Direction Plate Replacement Kit
06401-003-10-00

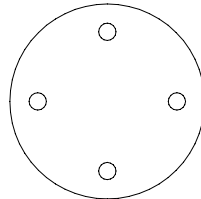
Replacement Kit Note:
 The kit for the hole direction plate comes with the plate, a new gasket and the mounting hardware.



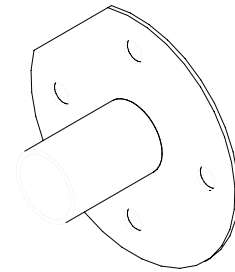
Pipe Clamp
05700-000-35-05



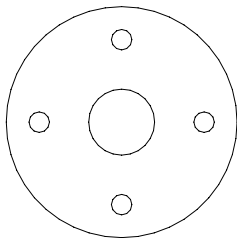
Rinse Drain Plate Replacement Kit
(CGP Models Only)
06401-003-10-07



Rinse Drain Plug Replacement Kit
06401-003-10-06



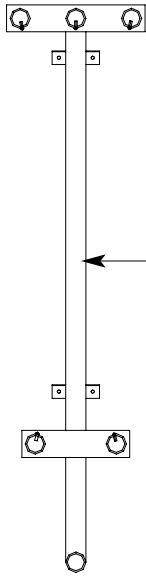
Rinse Drain Weldment Replacement Kit
06401-003-10-05



Rinse Drain Plate Gasket
05330-011-72-27

Replacement Kits Notes:
 The kits for the drain weldments and drain plugs come with the weldments/parts, a new gasket and the mounting hardware.

SECTION 5: PARTS SECTION
MANIFOLDS/STRAINER SUPPORT WELDMENTS



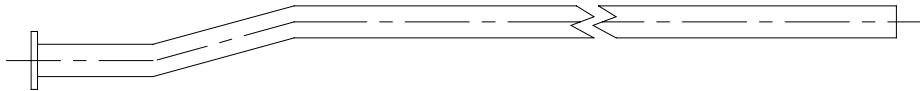
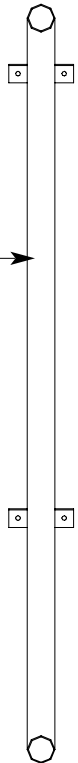
Prewash Manifold Weldment
 AJ-86 Models Only
 05700-031-69-70
 Prewash Manifold Weldment
 AJ-100 Models Only
 05700-002-24-94

Secured to the Hood Weldment with:

Washer, Flat, S/S, 1/4" ID
 05311-174-01-00

Locknut, 1/4"-20 with Nylon Insert
 05310-374-01-00

Wash Manifold Weldment
 05700-031-71-13

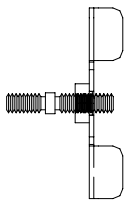


Wash Fill Tube Weldment
 05700-021-71-21

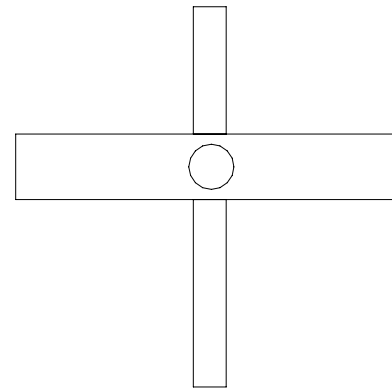
Vellumoid Gasket
 05330-111-42-81

Prewash Fill Tube Weldment
 (AJ-86 & AJ-100 Models Only)
 05700-021-74-76

Secured with Locknut, 1/4"-20 with Nylon Insert
 05310-374-01-00

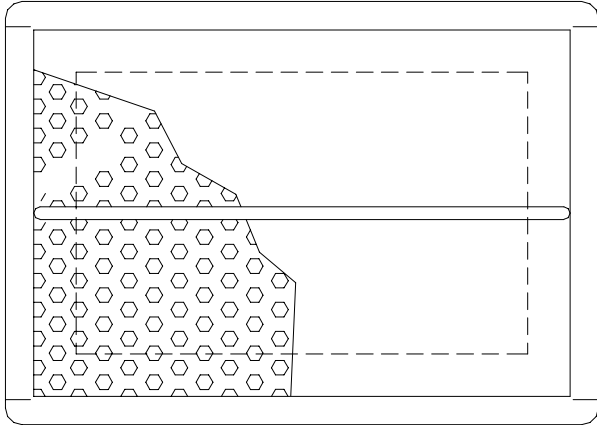


Shoulder Bolt Wingnut Weldment
 05700-002-46-02

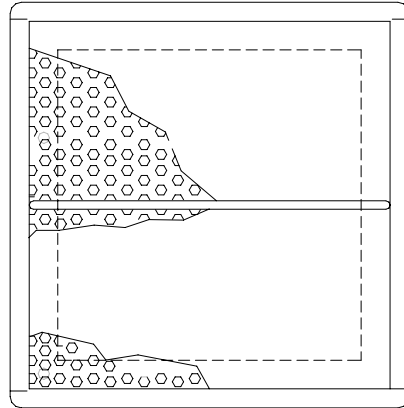


Wash Strainer Separator Weldment
 05700-031-84-38

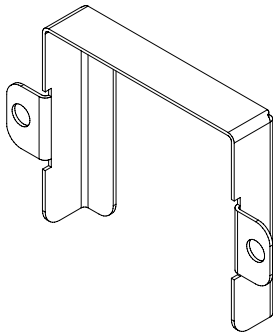
SECTION 5: PARTS SECTION
STRAINERS



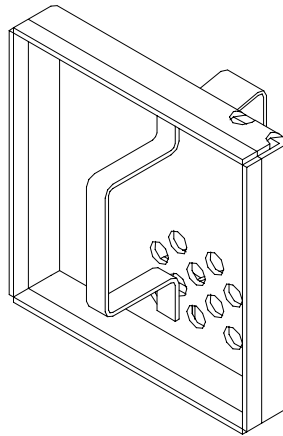
Front Strainer Weldment
05700-021-85-10



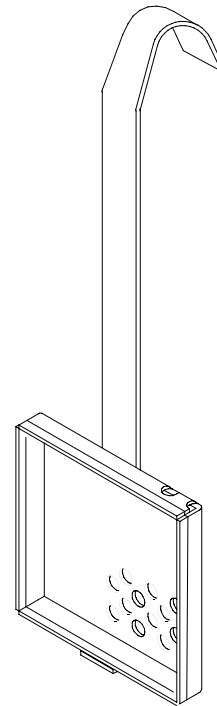
Back Strainer Weldment
05700-021-85-11



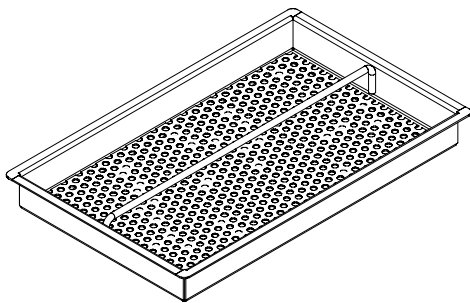
Overflow Strainer Support
05700-001-96-48



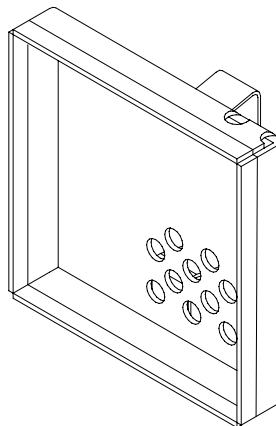
Drain Guard
Strainer Weldment
05700-002-09-15



Wash Intake Strainer Weldment (CGP Models)
05700-002-51-52

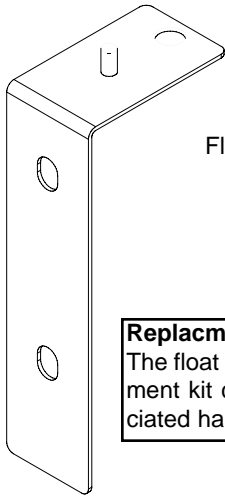


Tub Strainer Weldment (CGP Models)
05700-002-03-21



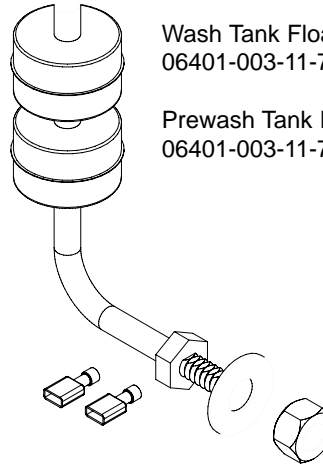
Screen Strainer
with Handle Weldment
05700-002-09-04

SECTION 5: PARTS SECTION
FLOAT SWITCH COMPONENTS/SCRAP BASKETS



Float Switch Support Bracket
 Replacement Kit
 06401-003-11-77

Replacement Kit Note:
 The float switch support bracket replacement kit contains the bracket and associated hardware for mounting.

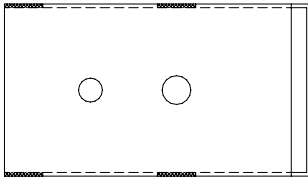


Wash Tank Float Switch Replacement Kit
 06401-003-11-75

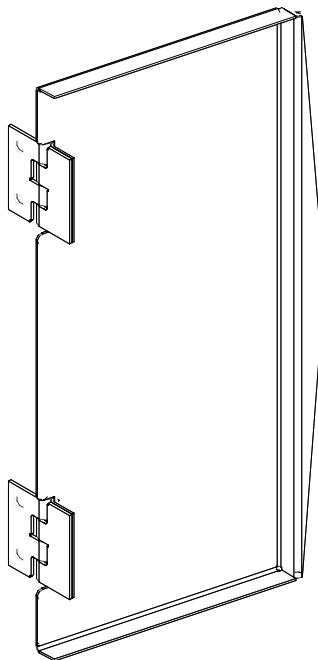
Prewash Tank Float Switch Replacement Kit
 06401-003-11-76

Replacement Kit Note:
 The float switch replacement kits contain the float switch with associated terminals, the flat washer and the nut.

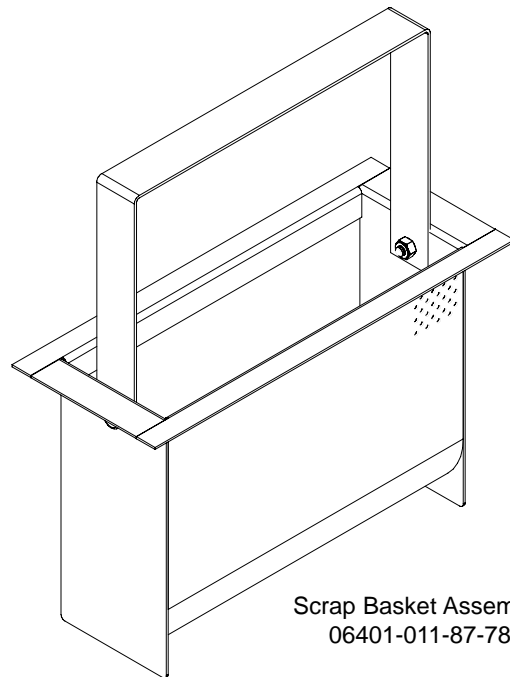
Service Agent Note:
 Remember than when reinstalling the float switch that the flat washer goes inside against the tub wall while the nut is on the outside of the tub.



Float Switch Cover
 05700-021-75-71

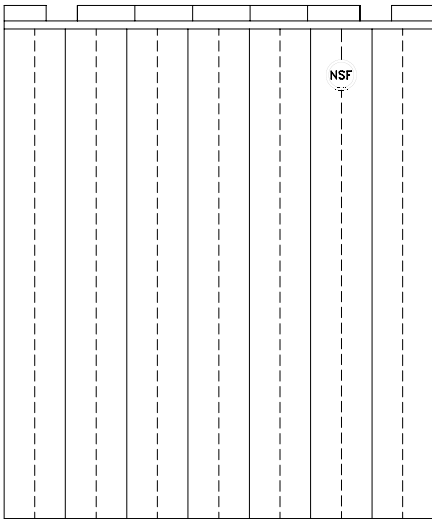


Scrap Basket Lid
 Weldment
 05700-002-56-55

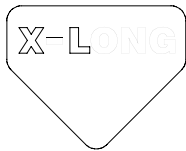


Scrap Basket Assembly
 06401-011-87-78

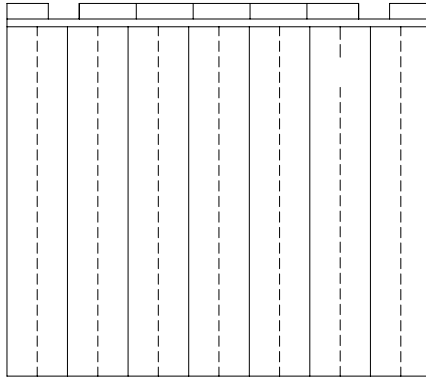
SECTION 5: PARTS SECTION
CURTAINS/TUB MAGNETS



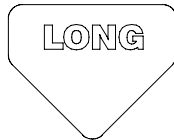
Curtain, 24 1/2" Long x 20-1/2" Wide
CGP MODELS ONLY
08415-002-47-37



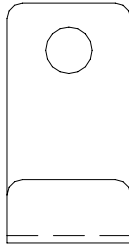
Extra Long Curtain Decal
CGP MODELS ONLY
09905-002-52-69



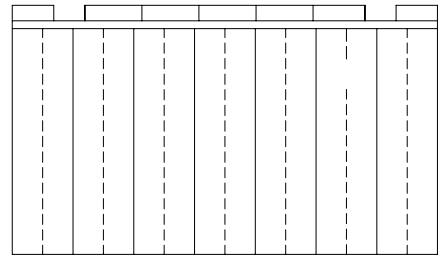
Curtain, 21" Long x 20-1/2" Wide
08415-131-73-45



Long Curtain Decal
09905-011-73-84



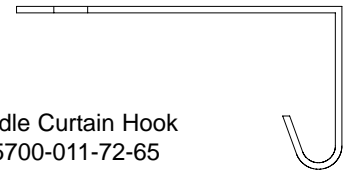
Curtain Hook
05700-011-83-54



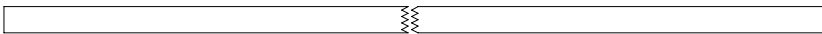
Curtain, 12" Long x 20-1/2" Wide
08415-131-73-44



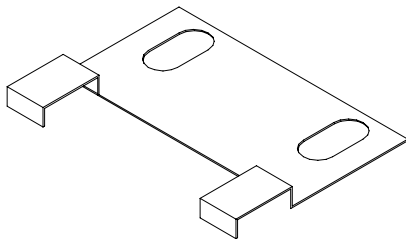
Short Curtain Decal
09905-011-73-82



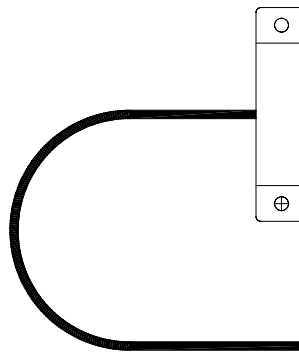
Middle Curtain Hook
05700-011-72-65



Curtain Rod
05700-021-73-43



Limit Switch Bracket
05700-021-71-18

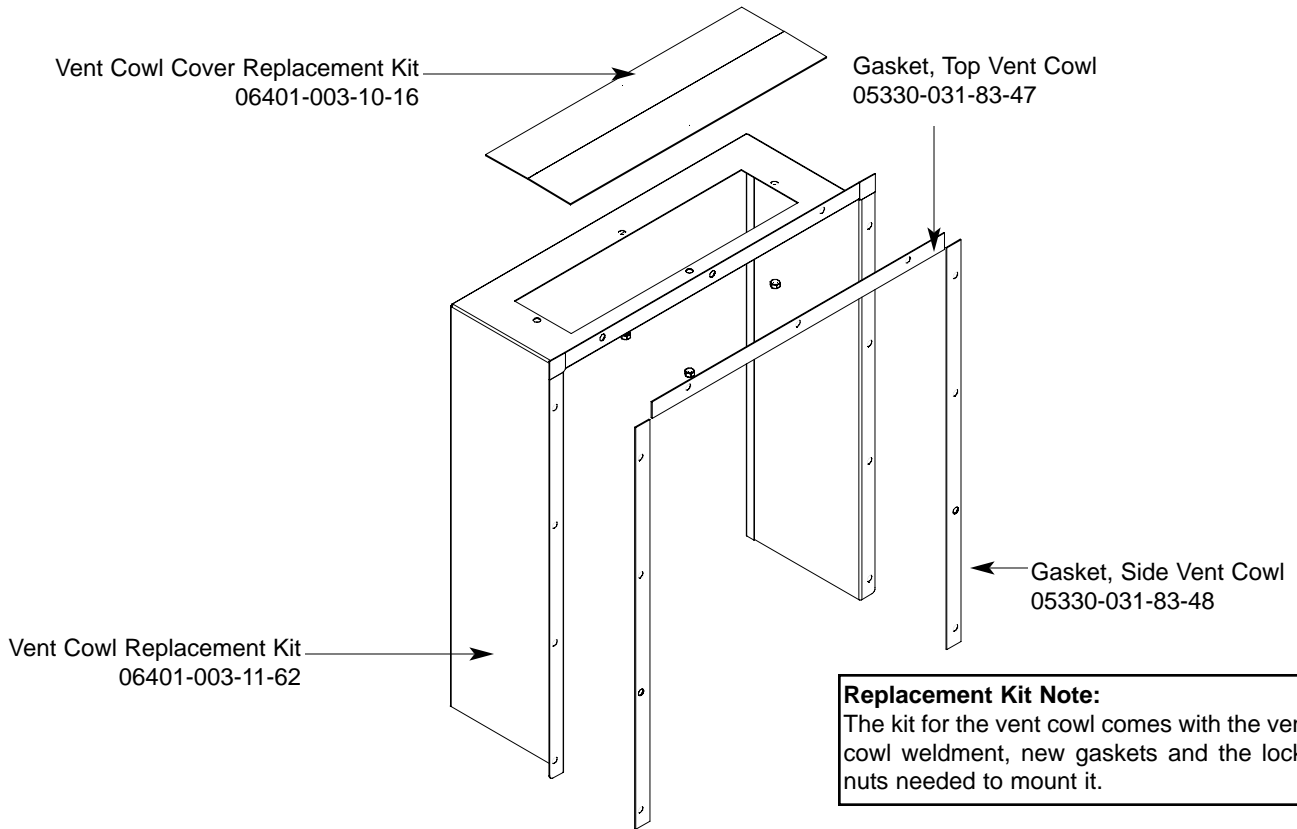


Conveyor Switch Replacement Kit
06401-003-11-79

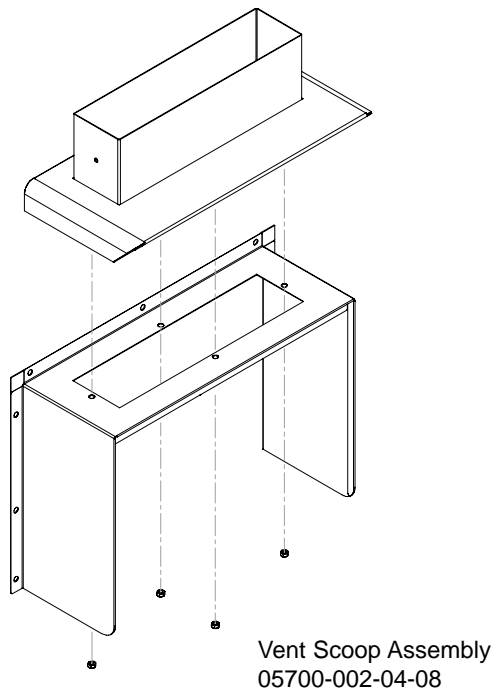
Replacement Kit Note:
The conveyor switch replacement kit comes with the switch, a terminal and a wire nut.

Service Note:
The cord for the conveyor switch needs to be cut to length in the field and have the pink terminal applied there.

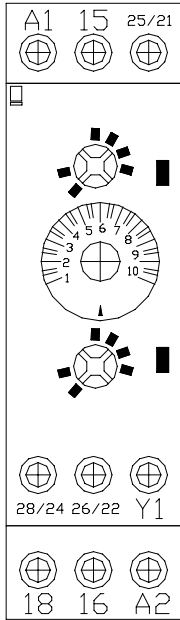
SECTION 5: PARTS SECTION
VENT COWL ASSEMBLY/VENT SCOOP OPTION



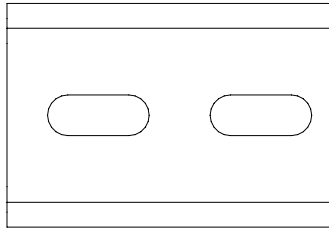
VENT SCOOP OPTION



SECTION 5: PARTS SECTION
EXHAUST FAN CONTROL/TABLE LIMIT SWITCH OPTIONS



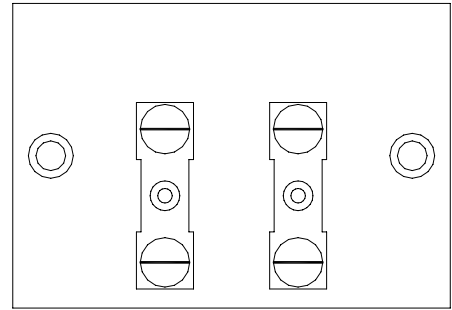
Delay Timer
 05945-011-65-44



2" Din Rail
 05700-002-36-09



Decal, Fan Load
 09905-003-32-20

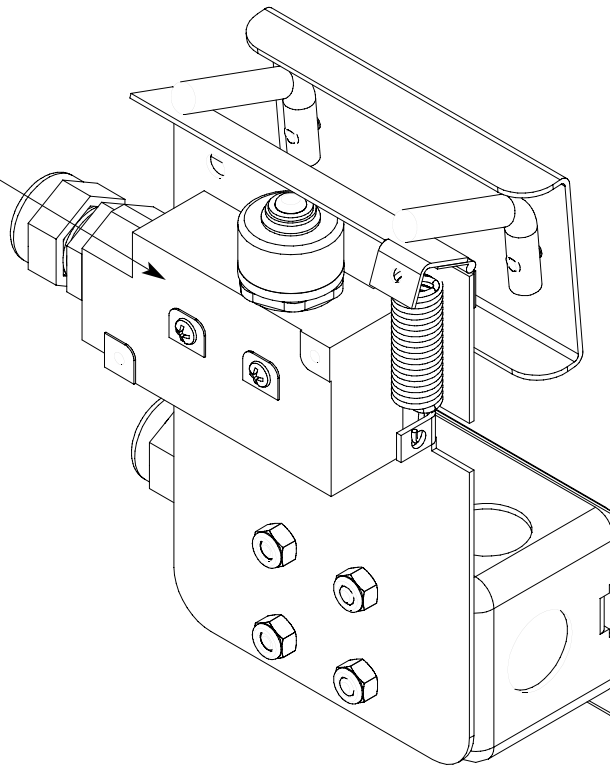


Terminal Board
 05940-011-84-41

Kit, Exhaust Fan - Electric & Steam Models
 05700-031-90-53

Kit, Exhaust Fan - Gas Models
 05700-003-14-59

Limit Switch
 05930-002-62-81

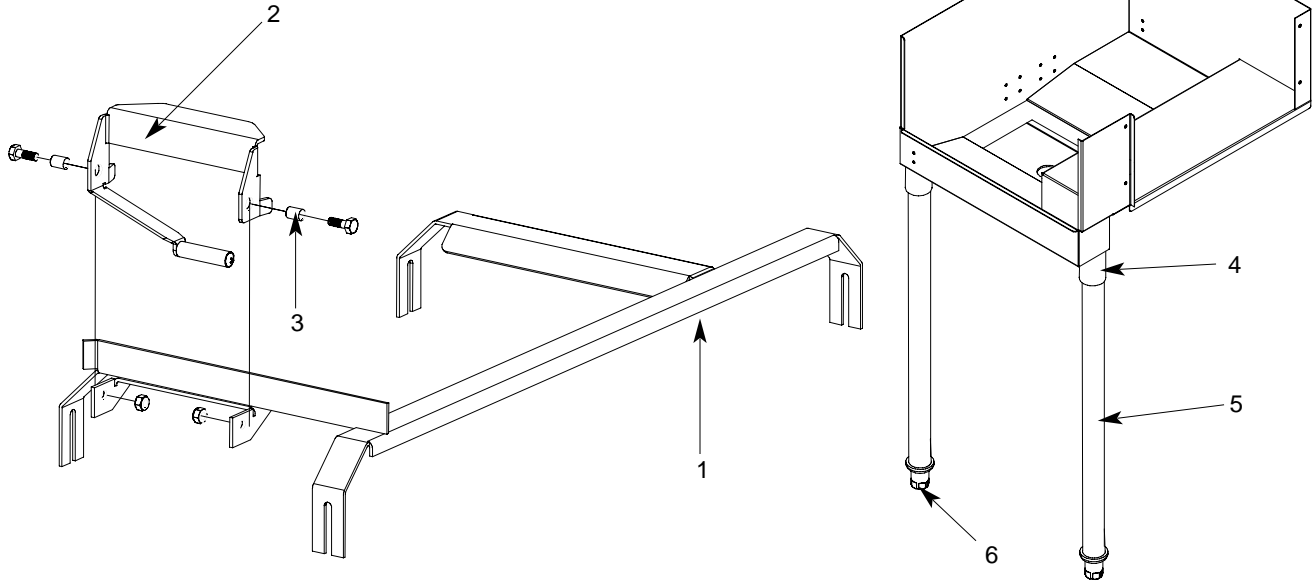


Striker Plate Limit Switch
 Assembly
 05700-002-62-94

SECTION 5: PARTS SECTION

SIDE LOADER TRACK ASSEMBLY/LEG REPLACEMENTS/STRAINER

Side loader track assembly
(left to right model shown).



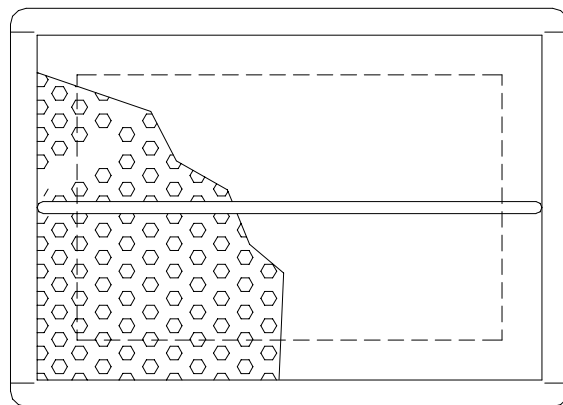
ITEM	QTY	DESCRIPTION	Mfg. No.
1	1	Track Weldment (Left to Right) 24"	05700-031-78-98
	1	Track Weldment (Right to Left) 24"	05700-031-95-20
	1	Track Weldment (Left to Right) 30"	05700-003-04-57
	1	Track Weldment (Right to Left) 30"	05700-003-04-58
2	1	Actuator Switch Replacement Kit	06401-003-10-64
3	2	Spacer	05700-011-71-44
4	1	Leg Socket Replacement Kit	06401-003-09-79
5	1	Leg Support Replacement Kit	06401-003-09-80
6	1	Bullet Foot	05340-108-01-03

Replacement Kits Notes:

The actuator switch replacement kit comes with the actuator weldment, mounting hardware and (2) spacers.

The leg socket replacement kit has the leg socket, mounting hardware and set screw.

The leg support replacement kit has the leg and the bullet foot included.

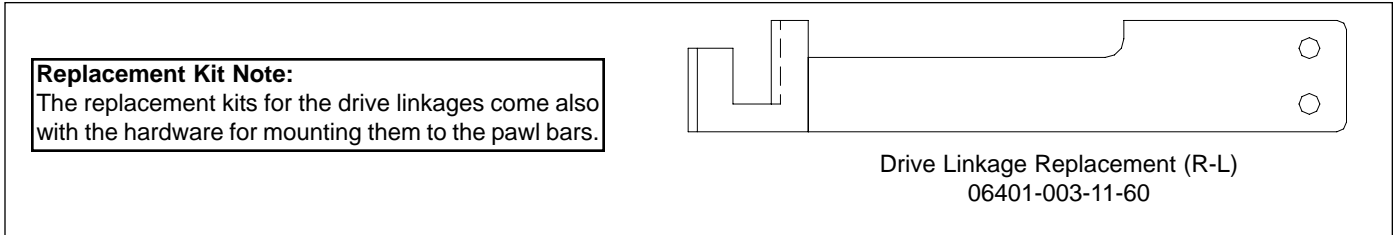
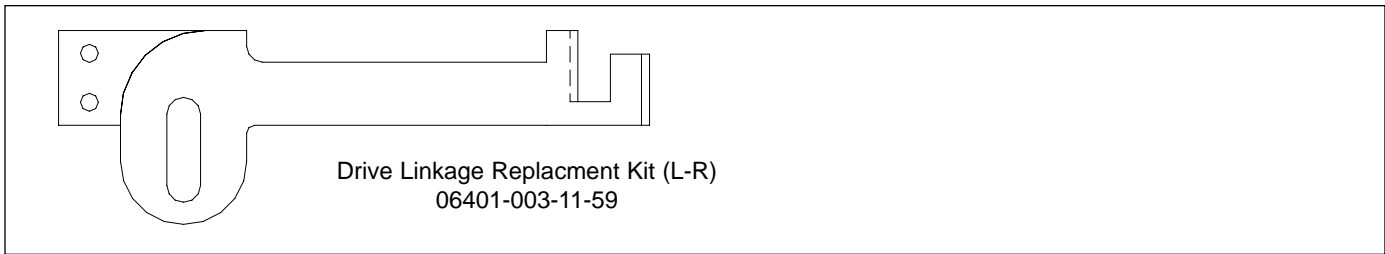
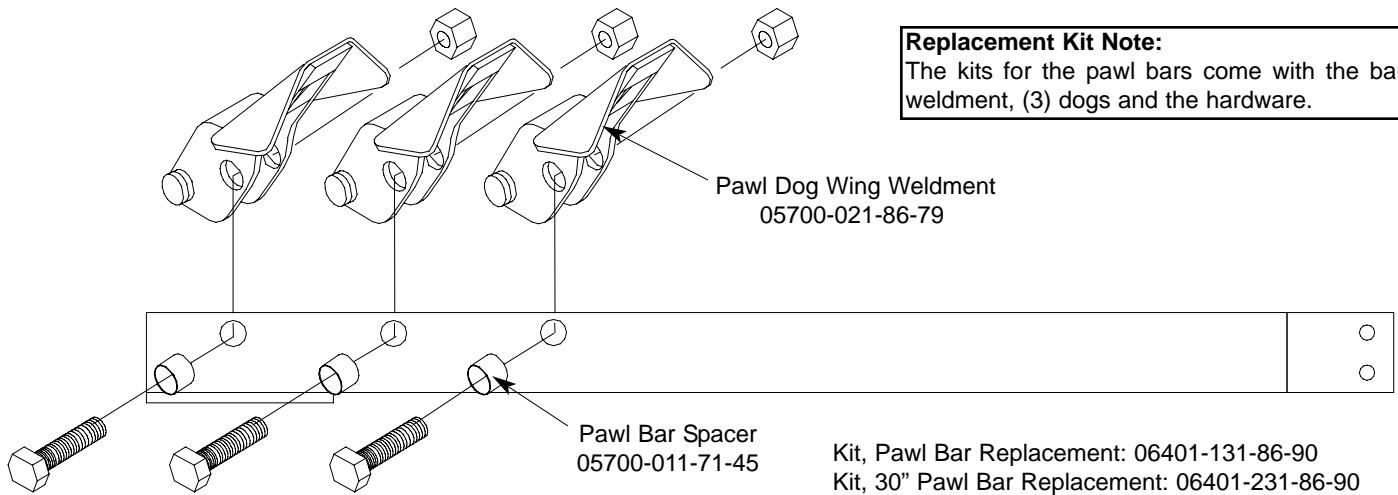


Front Strainer Weldment
05700-021-85-10

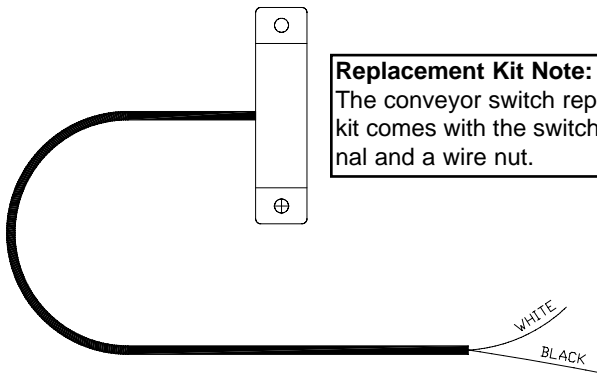
SECTION 5: PARTS SECTION

SIDE LOADER PAWL BAR ASSEMBLIES/PAWL BAR BRACKET/MAGNET

Replacement Kit Note:
The kits for the pawl bars come with the bar weldment, (3) dogs and the hardware.

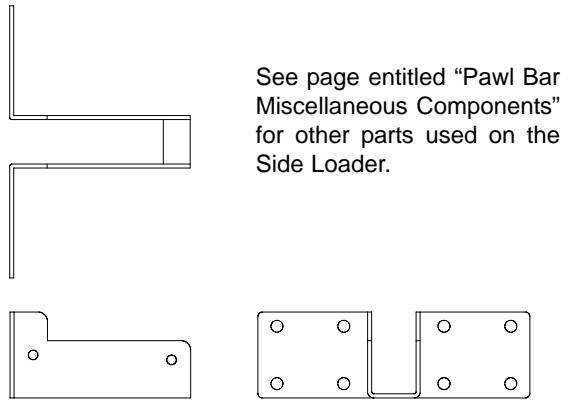


Replacement Kit Note:
The replacement kits for the drive linkages come also with the hardware for mounting them to the pawl bars.



Replacement Kit Note:
The conveyor switch replacement kit comes with the switch, a terminal and a wire nut.

Service Note:
The cord for the conveyor switch needs to be cut to length in the field and have the pink terminal applied there.



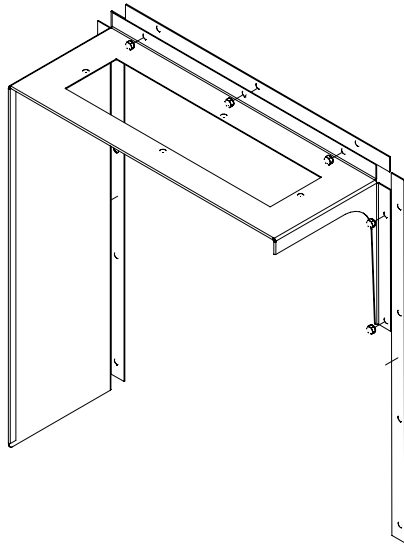
See page entitled "Pawl Bar Miscellaneous Components" for other parts used on the Side Loader.

Pawl Bar Roller Bracket
05700-031-77-94

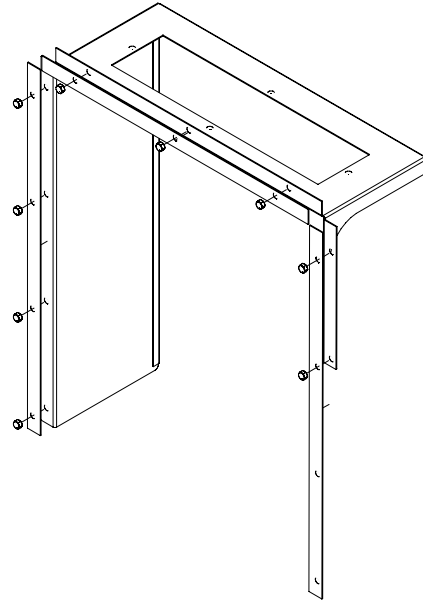
SECTION 5: PARTS SECTION

SIDE LOADER VENT COWL OPTION

Vent Cowl Replacement Kit (Left to Right)
06401-003-11-81



Vent Cowl Replacement Kit (Right to Left)
06401-003-11-83

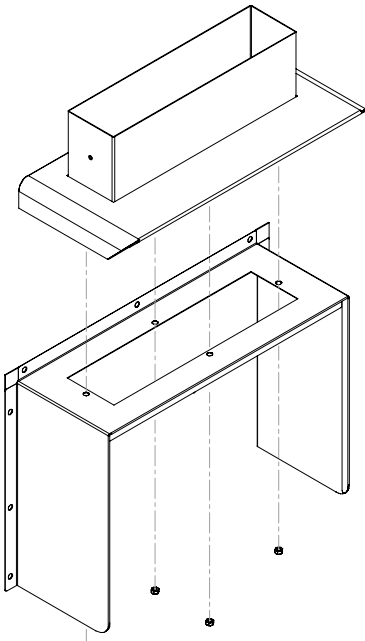


Service Note:
One of the side gaskets that come in the kit will need to be cut to length in order to fit properly on the unit when replaced.

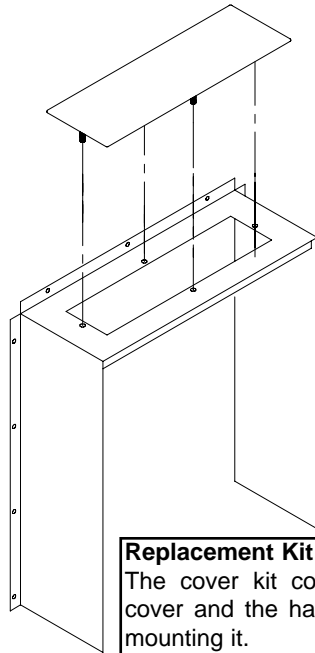
Replacement Kit Note:
The replacement kit(s) for the vent cowls come with the cowls, the gaskets and mounting hardware.

Vent Cowl Gasket, Top: 05330-031-83-47
Vent Cowl Gasket, Side: 05330-031-83-48

VENT SCOOP OPTION
Vent Scoop Assembly
05700-002-04-08

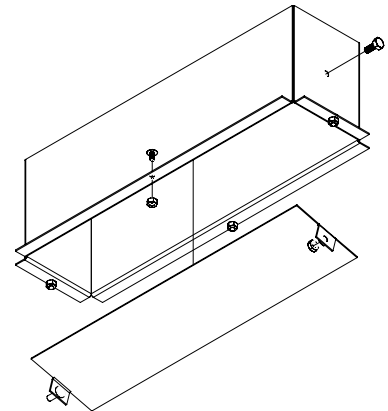


STANDARD ASSEMBLY
Vent Cowl Cover Replacement Kit
06401-003-10-16



Replacement Kit Note:
The cover kit contains the cover and the hardware for mounting it.

Vent Cowl Assembly for Hooded Side Loader Option
05700-003-15-66



SECTION 5: PARTS SECTION
D226 STEAM BOOSTER CONTROL BOX ASSEMBLY

Decal, Warning, Disconnect Power
09905-100-75-93

Decal, Schematic, D226 Booster (on the inside of the control box cover)
09905-002-78-56

Replacement Kit Note:
 The kit for the terminal block replacement includes the block, the spacer and the locknut.

Control Box Cover Replacement Kit
06401-003-11-63

Replacement Kit Note:
 The kit for the control box cover comes with the decals and the screws for securing the cover.

Terminal Block Replacement Kit
06401-003-11-78

Decal, L1-L2
09905-002-78-67

Ground Lug
05940-200-76-00

Spacer, Terminal Block

Decal, Ground
09905-011-86-86

Thermostat
06680-500-01-77

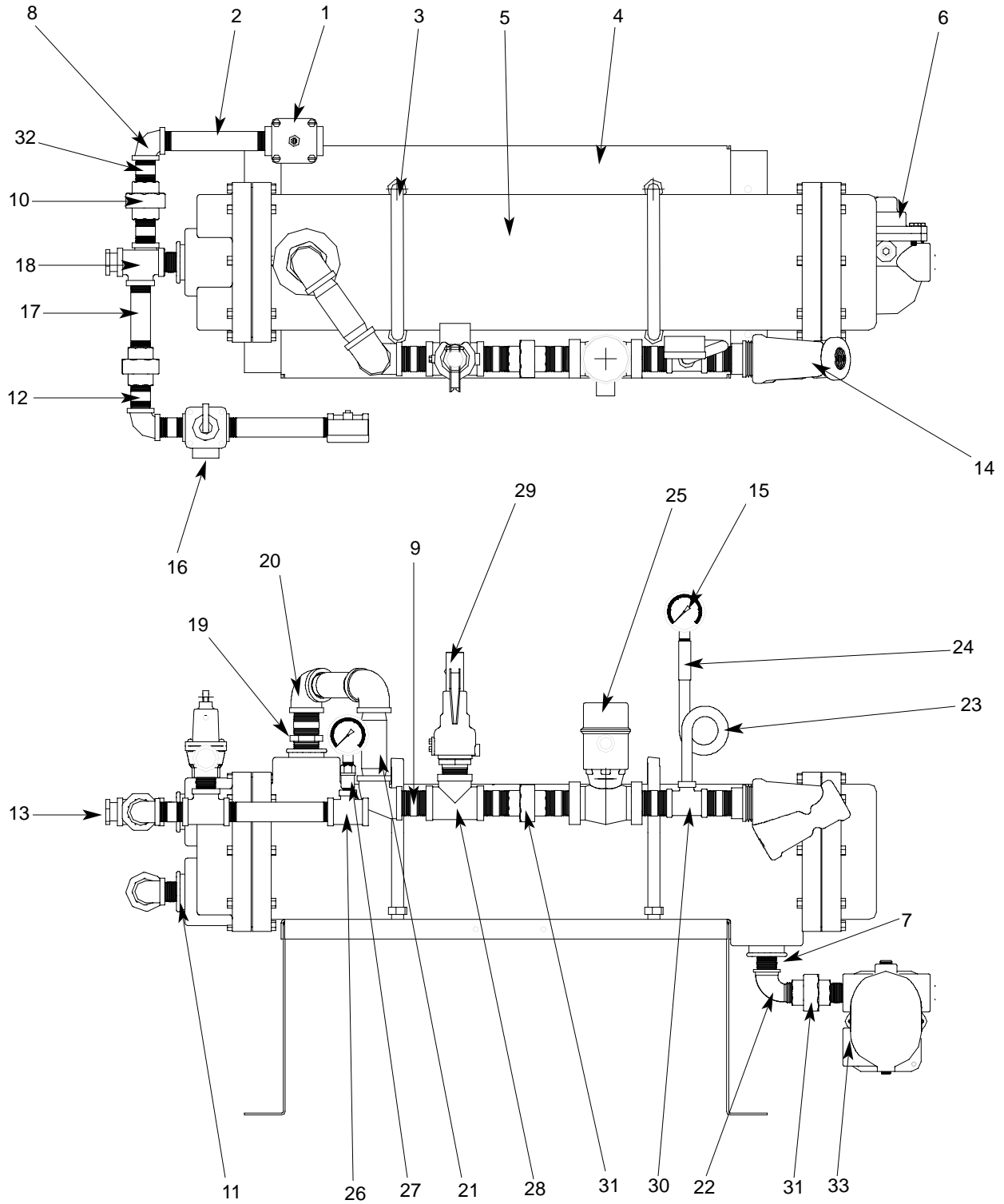
Light, Red
05945-111-21-57

Conduit Fitting, .231" x.394"
05975-011-49-03

Power Switch
05930-011-49-55

Control Box with Decal
06401-002-78-87

SECTION 5: PARTS SECTION
D226 STEAM BOOSTER PLUMBING ASSEMBLY



SECTION 5: PARTS SECTION

D226 STEAM BOOSTER PLUMBING ASSEMBLY (CONTINUED)

ITEM	QTY	DESCRIPTION	Mfg. No.
1	1	Water Pressure Regulator, 3/4"	04820-100-01-06
2	2	Nipple, Brass, 3/4" NPT x 6" Long	05700-001-26-74
3	2	U-Bolt, 6", 5/8"-11 Thread	05306-458-01-04
4	1	Platform Weldment	05700-002-78-02
5	1	Heat Exchanger	04420-100-01-05
6	1	Steam Trap, 3/4"	06680-500-02-77
7	1	Bushing, 2" NPT x 3/4" NPT, Black Iron	04730-902-06-34
8	2	Elbow, 3/4" NPT, Brass	04730-206-13-00
9	6	Nipple, 1" NPT, Close, Black Iron	04730-907-08-34
10	2	Union, 3/4" NPT, Brass	04730-212-05-00
11	2	Bushing, 2" NPT x 3/4" NPT, Brass	04730-202-18-00
12	4	Nipple, 3/4" NPT x 1-3/8" Long	04730-207-34-00
13	1	Bushing, Hex 3/4" M x 1/2" F, Brass	04730-002-56-27
14	1	Y-Strainer, 1" NPT, Black Iron	04730-217-02-32
15	2	Pressure Gauge	06685-111-88-34
16	1	Steam Relief Valve	04820-100-07-06
17	2	Nipple, 3/4" NPT x 4" Long, Brass	04730-207-05-00
18	2	Tee, 3/4" NPT x 3/4" NPT x 3/4" NPT, Brass	04730-211-01-34
19	1	Bushing, 2" NPT x 1" NPT, Black Iron	04730-002-94-51
20	3	Elbow, 90°, 1" NPT, Black Iron	04730-906-03-34
21	2	Nipple, 1" NPT x 4" Long, Black Iron	04730-907-09-34
22	1	Elbow, 90°, Street, 3/4" NPT, Black Iron	04730-011-87-37
23	1	Nipple, Pigtail, 1/4" NPT	04730-907-14-34
24	1	Coupling, 1/4" NPT x 1/4" NPT	04730-904-01-34
25	1	Steam Solenoid Valve, 240VA	04820-100-29-34
25	1	Steam Solenoid Valve, 200VA	04820-002-93-66
25	1	Steam Solenoid Valve (ASCO)	04820-002-90-26
26	1	Tee, 3/4" NPT x 3/4" NPT x 1/4" NPT, Brass	04730-211-04-00
27	1	Valve, Test Cock, 1/4" NPT	04810-011-72-67
28	1	Tee, 1" NPT x 1" NPT x 1" NPT, Black Iron	04730-911-01-34
29	1	Valve, Safety Relief 1" NPT	04820-100-01-35
30	1	Tee, 1" NPT x 1" NPT x 1/4" NPT, Black Iron	04730-911-01-00
31	2	Union, 3/4" NPT, Black Iron	04730-912-01-00
32	2	Nipple, 3/4" NPT x 2" Long, Brass	04730-207-46-00
33	2	Nipple, 3/4" NPT, Close, Black Iron	04730-907-01-00

SECTION 5: PARTS SECTION

GO*BOX COMPONENTS

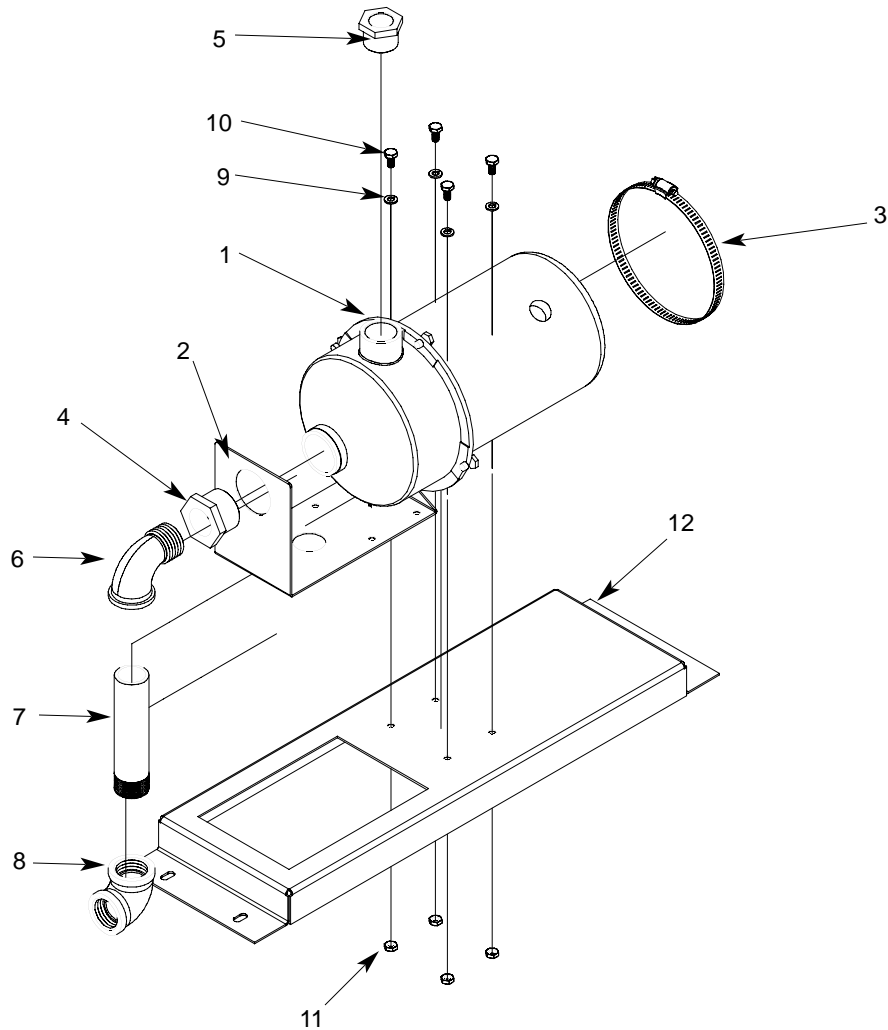
A GO*BOX is a kit of the most needed parts for a particular model or model family to successfully effect a repair in the first call 90% or more of the time.

The following components may be ordered together using part number 06401-002-14-99.

QTY	DESCRIPTION	Mfg. No.
1	Drive Motor Contactor	05945-111-68-38
1	Contactora, Wash Heater, 3 ph, 3 pole	05945-002-24-70
1	Contactora, Wash Heater, 1 ph, 4 pole	05945-111-68-37
2	Final Rinse Arm End Cap	05700-011-35-92
1	Float Switch, Dual, Wash & Prewash	06680-121-70-71
1	Gasket, Pawl Bar Gutter	05330-011-68-55
1	Gauge, Pressure	06685-111-88-34
6	Glide, Door Edge	05700-111-70-92
2	Magnet, Door Reed Switch	05930-111-51-68
2	O Ring, Prewash Manifold	05330-400-12-08
2	O Ring, Wash Manifold	05330-011-74-56
1	Overload, Drive Motor	05945-111-68-39
1	Overload, Wash Motor	05945-111-68-40
1	Relay,120v, 3 PDT	05945-111-72-51
1	Relay,120v,50/60Hz 3A Control	05945-111-35-19
1	Repair Kit, 3/4" Vacuum Breaker	04820-001-60-57
4	Roller, Pawl Bar	05700-011-68-16
1	Seal Kit for Wash and Prewash pump	05330-011-71-98
2	Solenoid Valve, Fill & Rinse	04810-100-53-00
2	Switch, Power	05930-011-49-55
2	Switch, Reed, Actuator (NC)	05930-111-68-44
1	Switch, Reed, Door (NO)	05930-111-68-86
1	Thermometer, 48" Capillary	06685-111-68-48
1	Thermometer, 96" Capillary	06685-111-68-49
2	Thermostat, Wash High Limit	05930-121-71-36
2	Thermostat, Wash Regulating	05930-121-67-72
1	Transformer,150VA	05950-011-68-35
1	Valve, Ball 1 1/2" NPT	04820-111-71-46

SECTION 5: PARTS SECTION

RINSE FILL MOTOR OPTION

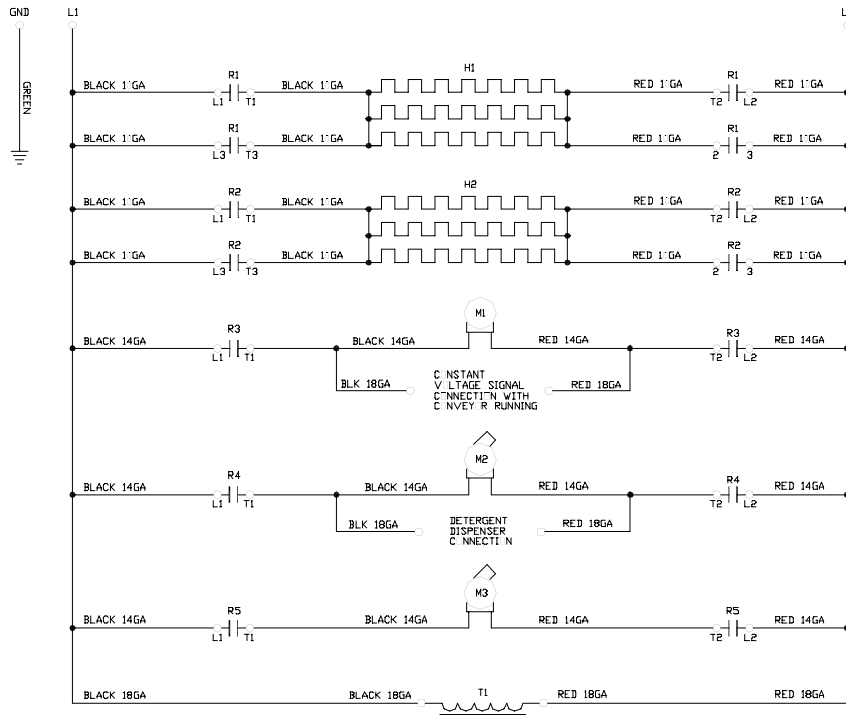


ITEM	QTY	DESCRIPTION	Mfg. No.
	1	Rinse Fill Motor Assembly	05700-002-40-25
1	1	Motor	06105-002-72-71
2	1	Bracket, Pump Mounting	05700-002-63-59
3	1	Clamp, Hose 5 5/8" to 6"	04730-011-34-90
4	1	Reducer Bushing, 1 1/4" to 1"	04730-002-73-62
5	1	Reducer Bushing 1" to 3/4"	04730-011-65-14
6	1	Elbow, 90 Deg., 1" Street	04730-002-11-99
7	1	Nipple, 1" NPT x 6" Long Brass	04730-002-12-00
8	1	Elbow, 90 Deg. Brass Female	04730-002-12-55
9	4	Lockwasher, 1/4"	05311-274-01-00
10	4	Bolt, 1/4"-20 x 1/2" Long	05305-274-02-00
11	4	Nut, Hex S/S 1/4"-20	05310-274-01-00
12	1	Rinse Motor Mounting Bracket	05700-002-38-90

SECTION 6: ELECTRICAL SCHEMATICS

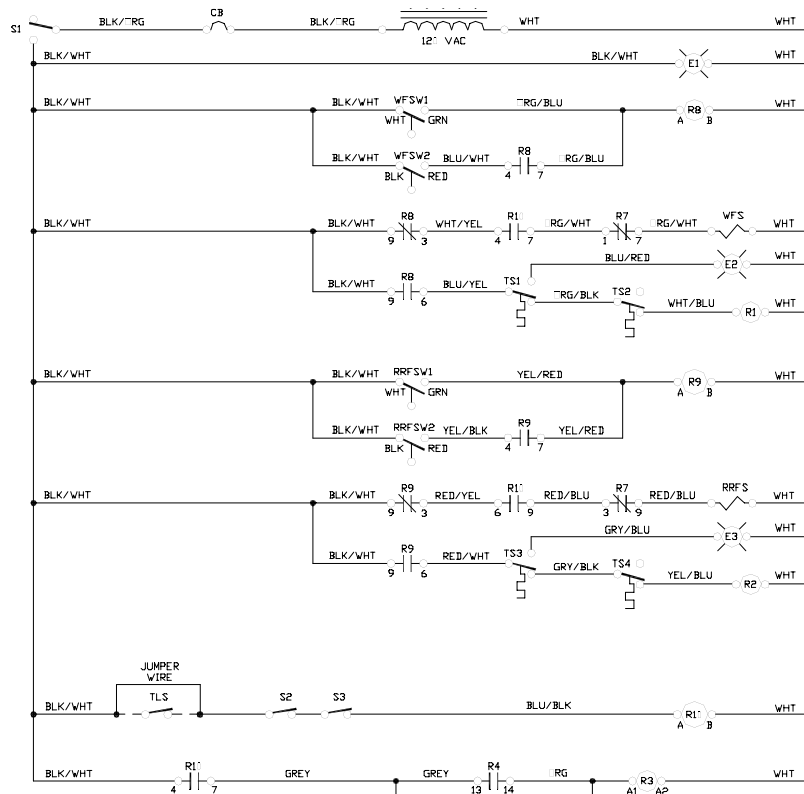
SECTION 6: ELECTRICAL SCHEMATICS

AJ-64CE (208-230 VOLT, 60 HZ, SINGLE PHASE) PRIMARY SIDE



SECTION 6: ELECTRICAL SCHEMATICS

AJ-64CE (208-230 VOLT, 60 HZ, SINGLE PHASE) SECONDARY SIDE



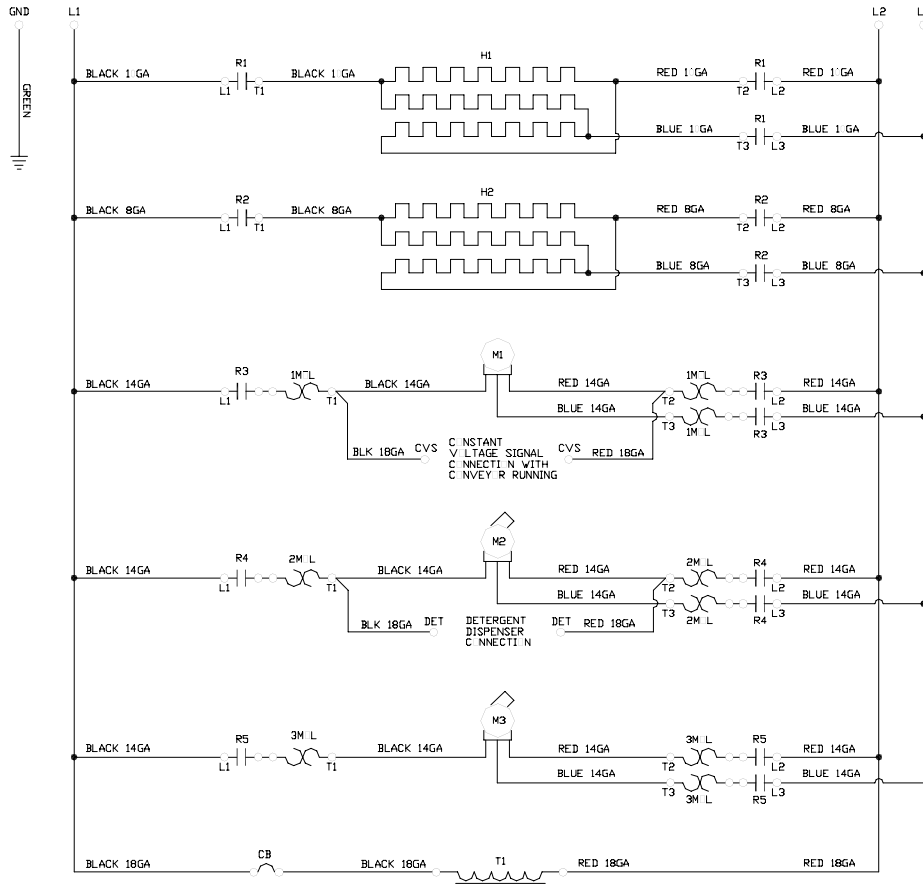
LEGEND

L1 L2 L3	P O W E R D I S T R I B U T I O N B L O C K
GND	G R O U N D
R1	W A S H T A N K H E A T C O N T A C T O R
R2	R E C I R C U L A T I N G R I N S E H E A T C O N T A C T O R
R3	D R I V E M O T O R C O N T A C T O R
R4	W A S H P U M P M O T O R C O N T A C T O R
R5	R E C I R C U L A T I N G R I N S E P U M P M O T O R C O N T A C T O R
R6	F I N A L R I N S E R E L A Y #1
R7	F I N A L R I N S E R E L A Y #2
R8	W A S H T A N K F I L L R E L A Y
R9	R E C I R C U L A T I N G R I N S E T A N K F I L L R E L A Y
R1	D O O R S A F E T Y S W I T C H R E L A Y
H1	W A S H H E A T E R
H2	R E C I R C U L A T I N G R I N S E H E A T E R
M1	D R I V E M O T O R
M2	W A S H P U M P M O T O R
M3	R E C I R C U L A T I N G R I N S E P U M P M O T O R
CB	C E N T R A L C I R C U I T B R E A K E R
T1	C E N T R A L T R A N S F O R M E R
S1	P O W E R S W I T C H
S2	D O O R S A F E T Y S W I T C H 1
S3	D O O R S A F E T Y S W I T C H 2
S4	W A S H P U M P S W I T C H 1
S5	W A S H P U M P S W I T C H 2
S6	A U T O - M A N / D E L I M E S W I T C H
S7	R E C I R C U L A T I N G R I N S E P U M P S W I T C H
S8	F I N A L R I N S E S W I T C H
E1	P O W E R L I G H T
E2	W A S H H E A T E R H I G H L I M I T L I G H T
E3	R E C I R C U L A T I N G R I N S E H E A T E R H I G H L I M I T L I G H T
WFSW1	W A S H F L O A T S W I T C H 1
WFSW2	W A S H F L O A T S W I T C H 2
RRFSW1	R E C I R C U L A T I N G R I N S E F L O A T S W I T C H 1
RRFSW2	R E C I R C U L A T I N G R I N S E F L O A T S W I T C H 2
TS1	W A S H H E A T E R H I G H L I M I T T H E R M S T A T
TS2	W A S H R E G U L A T I N G T H E R M S T A T
TS3	R - R I N S E H E A T E R H I G H L I M I T T H E R M S T A T
TS4	R - R I N S E R E G U L A T I N G T H E R M S T A T
CWTS	C O L D W A T E R T H E R M S T A T (P T I N A L)
CWV	C O L D W A T E R V A L V E (P T I N A L)
TLS	T A B L E L I M I T S W I T C H (P T I N A L)
WFS	W A S H F I L L S E N S I N G I D
RRFS	R E C I R C U L A T I N G R I N S E F I L L S E N S I N G I D
RS	F I N A L R I N S E S E N S I N G I D

99-5-002-38-71

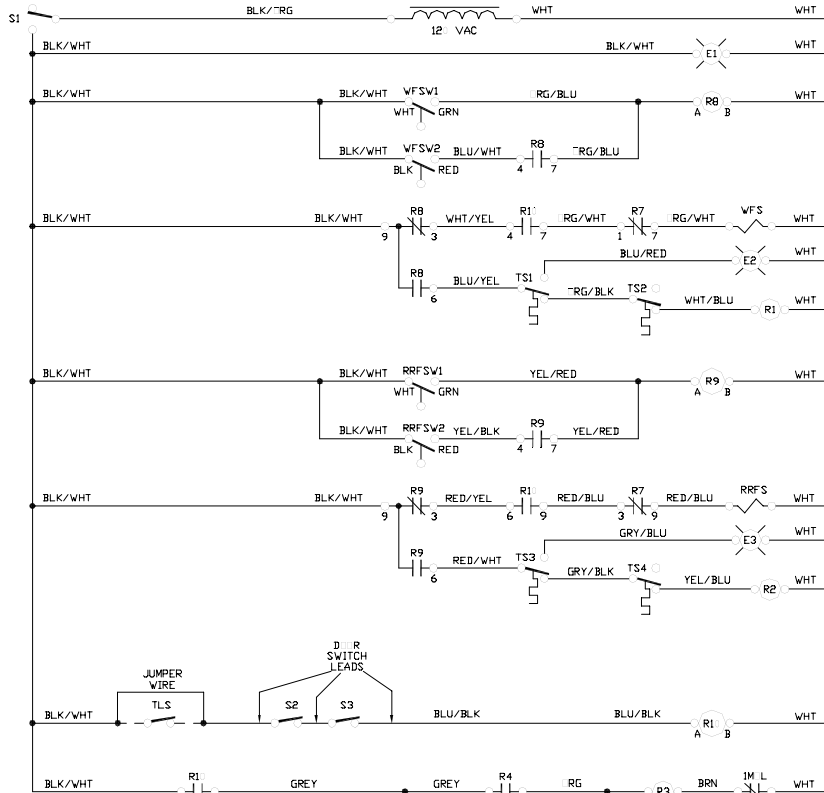
SECTION 6: ELECTRICAL SCHEMATICS

AJ-64CE (208-230 VOLT, 60 HZ, THREE PHASE) PRIMARY SIDE



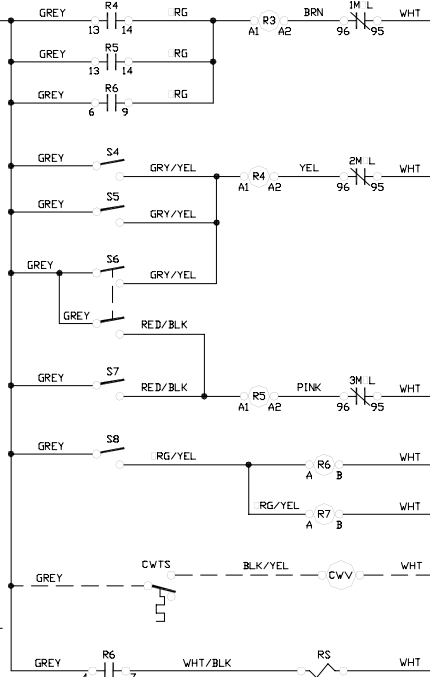
SECTION 6: ELECTRICAL SCHEMATICS

AJ-64CE (208-230 VOLT, 60 HZ, THREE PHASE) SECONDARY SIDE



LEGEND

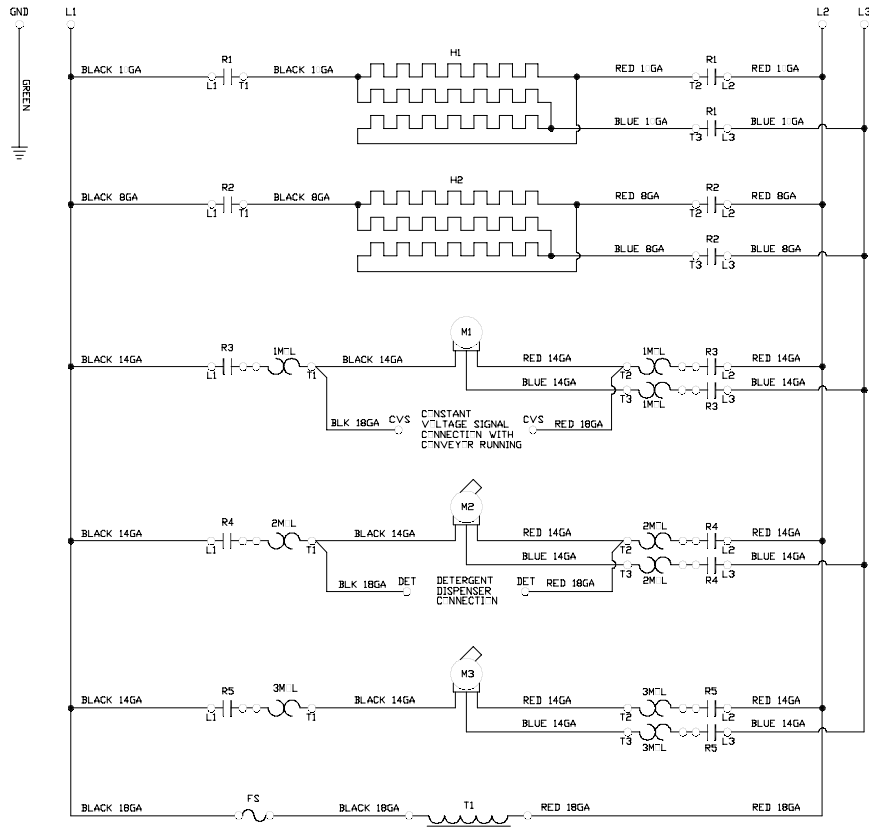
L1 L2 L3	P WER DISTRIBUTI N BL CK
GND	GR UND
R1	WASH TANK HEAT C N TACT R
R2	RECIRCULATING RINSE HEAT C N TACT R
R3	DRIVE M T R C N TACT R
R4	WASH PUMP M T R C N TACT R
R5	RECIRCULATING RINSE PUMP M T R C N TACT R
R6	FINAL RINSE RELAY #1
R7	FINAL RINSE RELAY #2
R8	WASH TANK FILL RELAY
R9	RECIRCULATING RINSE TANK FILL RELAY
R1	D I R SAFETY SWITCH RELAY
H1	WASH HEATER
H2	RECIRCULATING RINSE HEATER
M1	DRIVE M T R
M2	WASH PUMP M T R
M3	RECIRCULATING RINSE PUMP M T R
1M L	DRIVE M T R O V ERL AD
2M L	WASH PUMP M T R O V ERL AD
3M L	RECIRCULATING RINSE PUMP M T R O V ERL AD
CB	C N T R L C I R C U I T B R E A K E R
T1	C N T R L T R A N S F R M E R
DET	D E T E R G E N T D I S P E N S E R C N N E C T I N
CVS	C N S T A N T V L T A G E S I G N A L
S1	P W E R S W I T C H
S2	D I R S A F E T Y S W I T C H 1
S3	D I R S A F E T Y S W I T C H 2
S4	W A S H P U M P S W I T C H 1
S5	W A S H P U M P S W I T C H 2
S6	A U T - M A N / D E L I M E S W I T C H
S7	R E C I R C U L A T I N G R I N S E P U M P S W I T C H
S8	F I N A L R I N S E S W I T C H
E1	P W E R L I G H T
E2	W A S H H E A T E R H I G H L I M I T L I G H T
E3	R E C I R C U L A T I N G R I N S E H E A T E R H I G H L I M I T L I G H T
WFSW1	W A S H F L A T S W I T C H 1
WFSW2	W A S H F L A T S W I T C H 2
RRFSW1	R E C I R C U L A T I N G R I N S E F L A T S W I T C H 1
RRFSW2	R E C I R C U L A T I N G R I N S E F L A T S W I T C H 2
TS1	W A S H H E A T E R H I G H L I M I T T H E R M S T A T
TS2	W A S H R E G U L A T I N G T H E R M S T A T
TS3	R - R I N S E H E A T E R H I G H L I M I T T H E R M S T A T
TS4	R - R I N S E R E G U L A T I N G T H E R M S T A T
CWTS	C L D W A T E R T H E R M S T A T (P T I N A L)
CWV	C L D W A T E R V A L V E (P T I N A L)
TLS	T A B L E L I M I T S W I T C H (P T I N A L)
WFS	W A S H F I L L S L E N I D
RRFS	R E C I R C U L A T I N G R I N S E F I L L S L E N I D
RS	F I N A L R I N S E S L E N I D



99 5-31-82-66

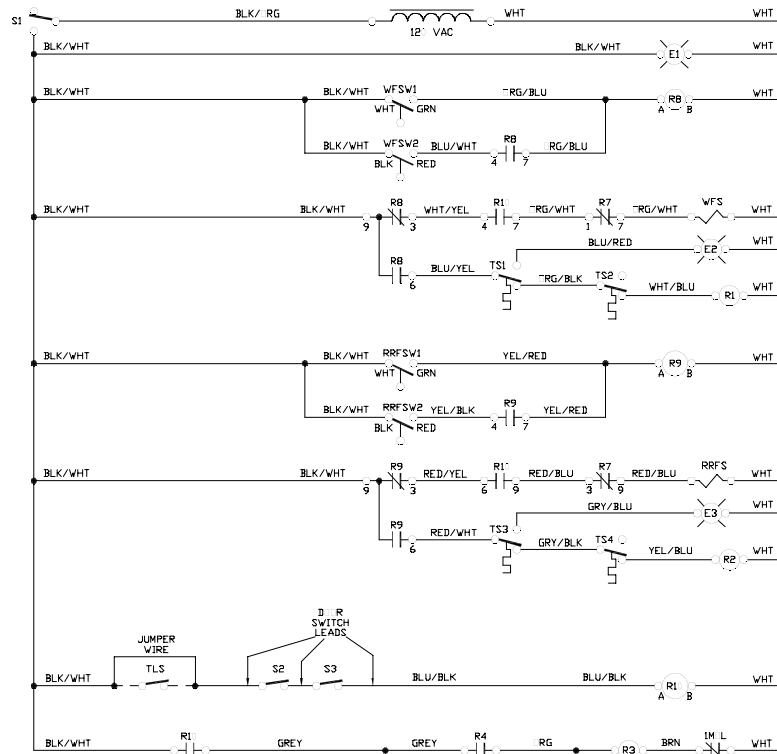
SECTION 6: ELECTRICAL SCHEMATICS

AJ-64CE (460 VOLT, 60 HZ, THREE PHASE) PRIMARY SIDE



SECTION 6: ELECTRICAL SCHEMATICS

AJ-64CE (460 VOLT, 60 HZ, THREE PHASE) SECONDARY SIDE



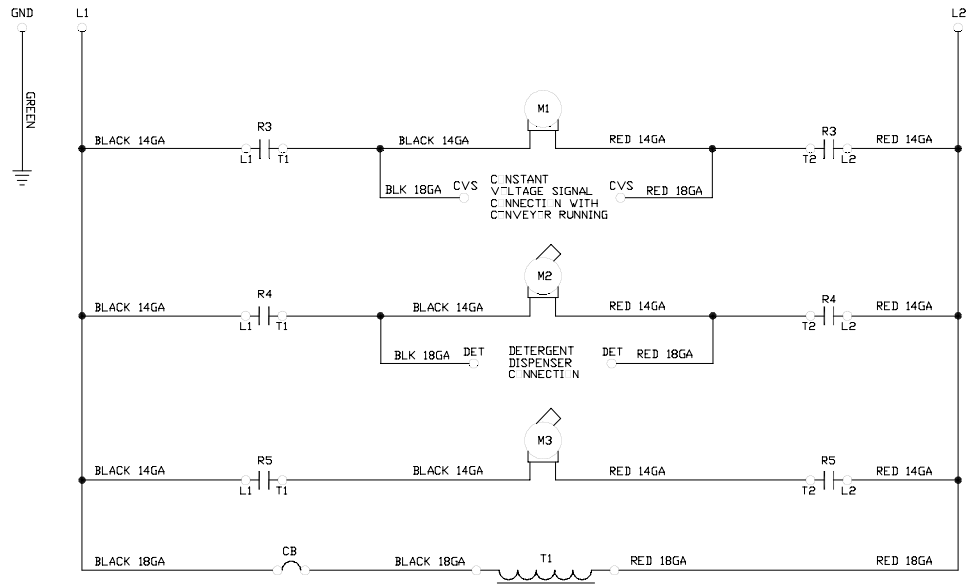
LEGEND

- L1 L2 L3 POWER DISTRIBUTION BLACK
- GND GROUND
- R1 WASH TANK HEAT CONTACTOR
- R2 RECIRCULATING RINSE HEAT CONTACTOR
- R3 DRIVE MOTOR CONTACTOR
- R4 WASH PUMP MOTOR CONTACTOR
- R5 RECIRCULATING RINSE PUMP MOTOR CONTACTOR
- R6 FINAL RINSE RELAY #1
- R7 FINAL RINSE RELAY #2
- R8 WASH TANK FILL RELAY
- R9 RECIRCULATING RINSE TANK FILL RELAY
- R10 DOOR SAFETY SWITCH RELAY
- H1 WASH HEATER
- H2 RECIRCULATING RINSE HEATER
- M1 DRIVE MOTOR
- M2 WASH PUMP MOTOR
- M3 RECIRCULATING RINSE PUMP MOTOR
- 1M L DRIVE MOTOR VERLAD
- 2M L WASH PUMP MOTOR VERLAD
- 3M L RECIRCULATING RINSE PUMP MOTOR VERLAD
- FS CONTROL FUSE
- T1 CONTROL TRANSFORMER
- DET DETERGENT DISPENSER CONNECTION
- CVS CONSTANT VOLTAGE SIGNAL
- S1 POWER SWITCH
- S2 DOOR SAFETY SWITCH 1
- S3 DOOR SAFETY SWITCH 2
- S4 WASH PUMP SWITCH 1
- S5 WASH PUMP SWITCH 2
- S6 AUTO - MAN/DELIME SWITCH
- S7 RECIRCULATING RINSE PUMP SWITCH
- S8 FINAL RINSE SWITCH
- E1 POWER LIGHT
- E2 WASH HEATER HIGH LIMIT LIGHT
- E3 RECIRCULATING RINSE HEATER HIGH LIMIT LIGHT
- WFSW1 WASH FLAT SWITCH 1
- WFSW2 WASH FLAT SWITCH 2
- RRFSW1 RECIRCULATING RINSE FLAT SWITCH 1
- RRFSW2 RECIRCULATING RINSE FLAT SWITCH 2
- TS1 WASH HEATER HIGH LIMIT THERM STAT
- TS2 WASH REGULATING THERM STAT
- TS3 R - RINSE HEATER HIGH LIMIT THERM STAT
- TS4 R - RINSE REGULATING THERM STAT
- CWTS CLD WATER THERM STAT (PTI NAL)
- CWV CLD WATER VALVE (PTI NAL)
- TLS TABLE LIMIT SWITCH (PTI NAL)
- WFS WASH FILL SLEN ID
- RRFS RECIRCULATING RINSE FILL SLEN ID
- RS FINAL RINSE SLEN ID

09905-031-95-56

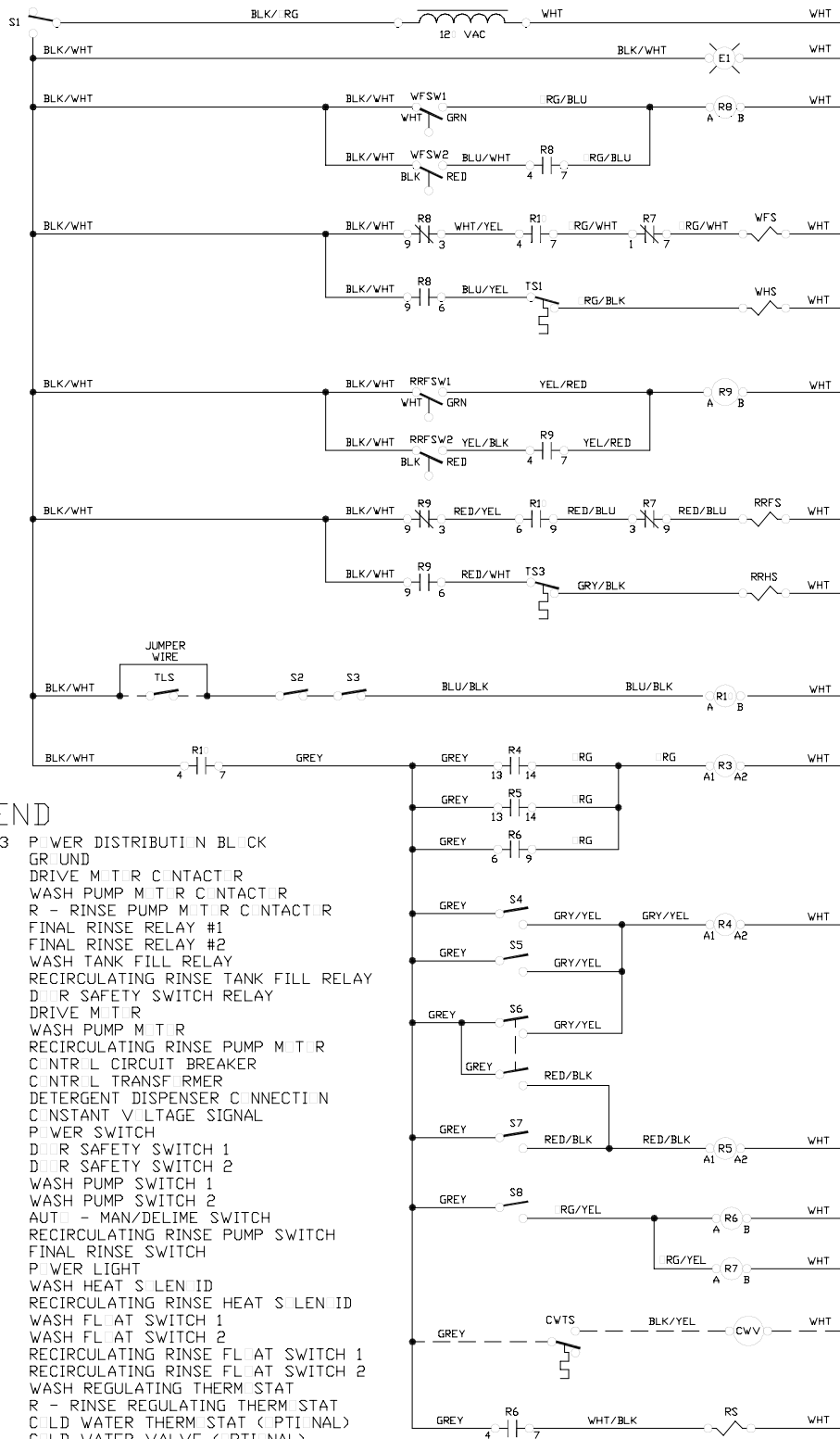
SECTION 6: ELECTRICAL SCHEMATICS

AJ-64CS (208-230 VOLT, 60 HZ, SINGLE PHASE) PRIMARY SIDE



SECTION 6: ELECTRICAL SCHEMATICS

AJ-64CS (208-230 VOLT, 60 HZ, SINGLE PHASE) SECONDARY SIDE



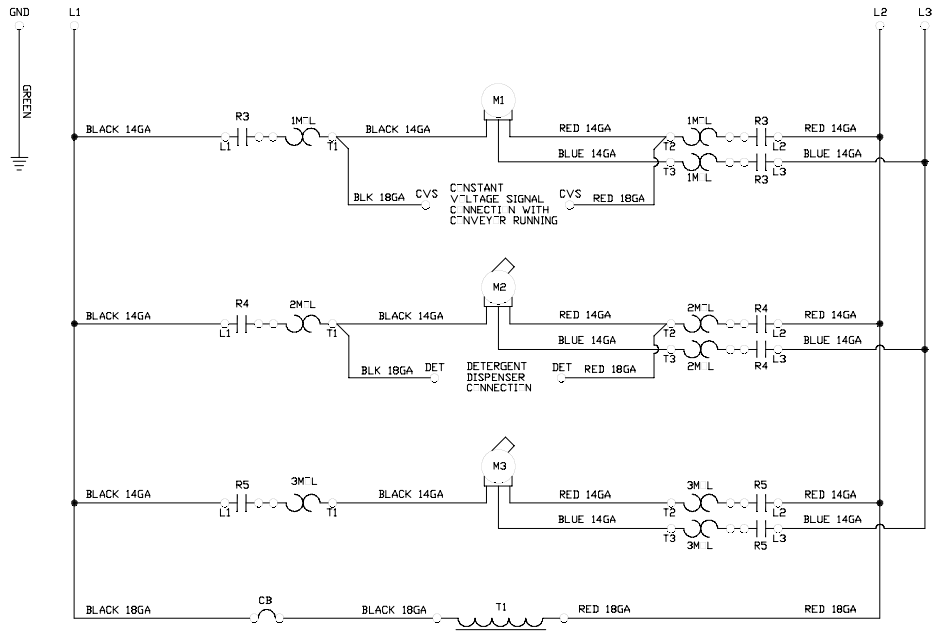
LEGEND

L1 L2 L3	POWER DISTRIBUTION BLOCK
GND	GROUND
R3	DRIVE MOTOR CONTACTOR
R4	WASH PUMP MOTOR CONTACTOR
R5	R - RINSE PUMP MOTOR CONTACTOR
R6	FINAL RINSE RELAY #1
R7	FINAL RINSE RELAY #2
R8	WASH TANK FILL RELAY
R9	RECIRCULATING RINSE TANK FILL RELAY
R10	DOOR SAFETY SWITCH RELAY
M1	DRIVE MOTOR
M2	WASH PUMP MOTOR
M3	RECIRCULATING RINSE PUMP MOTOR
CB	CENTRAL CIRCUIT BREAKER
T1	CENTRAL TRANSFORMER
DET	DETERGENT DISPENSER CONNECTION
CVS	CONSTANT VOLTAGE SIGNAL
S1	POWER SWITCH
S2	DOOR SAFETY SWITCH 1
S3	DOOR SAFETY SWITCH 2
S4	WASH PUMP SWITCH 1
S5	WASH PUMP SWITCH 2
S6	AUT - MAN/DELIME SWITCH
S7	RECIRCULATING RINSE PUMP SWITCH
S8	FINAL RINSE SWITCH
E1	POWER LIGHT
WHS	WASH HEAT SILEN ID
RRHS	RECIRCULATING RINSE HEAT SILEN ID
WFSW1	WASH FLAT SWITCH 1
WFSW2	WASH FLAT SWITCH 2
RRFSW1	RECIRCULATING RINSE FLAT SWITCH 1
RRFSW2	RECIRCULATING RINSE FLAT SWITCH 2
TS1	WASH REGULATING THERM STAT
TS3	R - RINSE REGULATING THERM STAT
CWTS	COLD WATER THERM STAT (PTI NAL)
CWV	COLD WATER VALVE (PTI NAL)
TL	TABLE LIMIT SWITCH (PTI NAL)
WFS	WASH FILL SILEN ID
RRFS	RECIRCULATING RINSE FILL SILEN ID
RS	FINAL RINSE SILEN ID

9905-002-55-96a

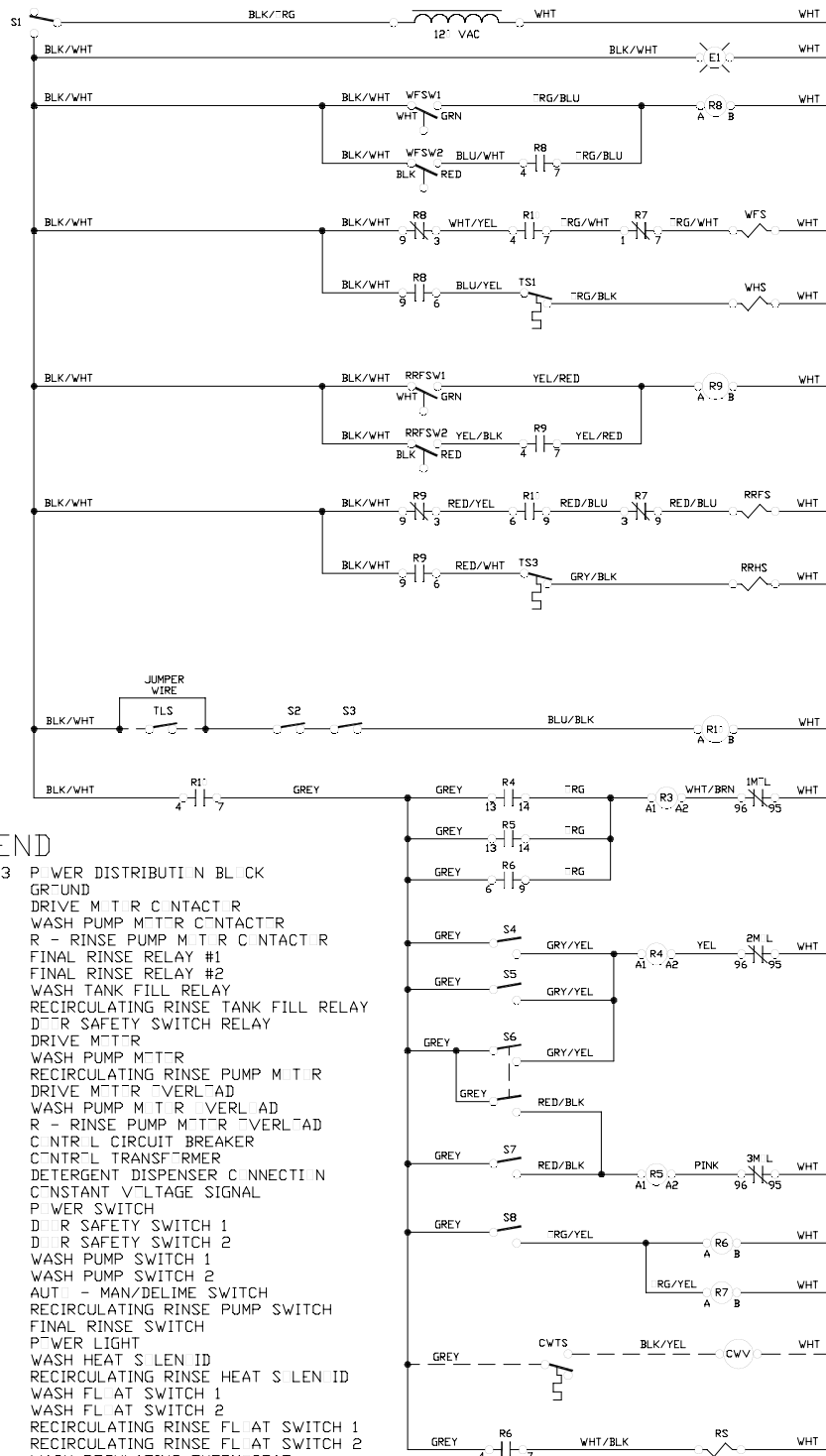
SECTION 6: ELECTRICAL SCHEMATICS

AJ-64CS (208-230 VOLT, 60 HZ, THREE PHASE) PRIMARY SIDE



SECTION 6: ELECTRICAL SCHEMATICS

AJ-64CS (208-230 VOLT, 60 HZ, THREE PHASE) SECONDARY SIDE



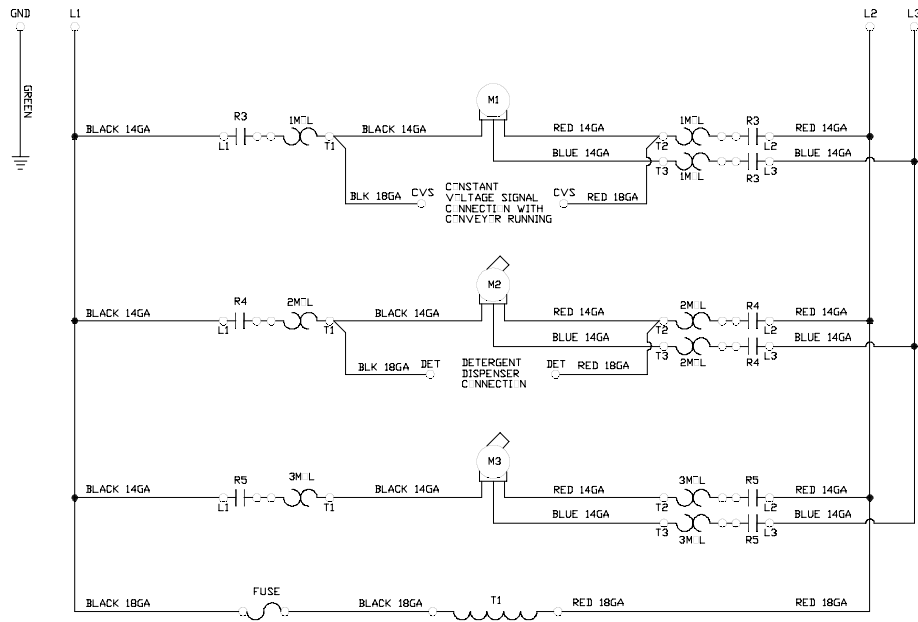
LEGEND

- L1 L2 L3 POWER DISTRIBUTION BLOCK
- GND GR-UND
- R3 DRIVE MOTOR CONTACTOR
- R4 WASH PUMP MOTOR CONTACTOR
- R5 R - RINSE PUMP MOTOR CONTACTOR
- R6 FINAL RINSE RELAY #1
- R7 FINAL RINSE RELAY #2
- R8 WASH TANK FILL RELAY
- R9 RECIRCULATING RINSE TANK FILL RELAY
- R10 MOTOR SAFETY SWITCH RELAY
- M1 DRIVE MOTOR
- M2 WASH PUMP MOTOR
- M3 RECIRCULATING RINSE PUMP MOTOR
- 1M^L DRIVE MOTOR OVERLOAD
- 2M^L WASH PUMP MOTOR OVERLOAD
- 3M^L R - RINSE PUMP MOTOR OVERLOAD
- CB CONTROL CIRCUIT BREAKER
- T1 CONTROL TRANSFORMER
- DET DETERGENT DISPENSER CONNECTION
- CVS CONSTANT VOLTAGE SIGNAL
- S1 POWER SWITCH
- S2 MOTOR SAFETY SWITCH 1
- S3 MOTOR SAFETY SWITCH 2
- S4 WASH PUMP SWITCH 1
- S5 WASH PUMP SWITCH 2
- S6 AUTO - MAN/DELTIME SWITCH
- S7 RECIRCULATING RINSE PUMP SWITCH
- S8 FINAL RINSE SWITCH
- E1 POWER LIGHT
- WHS WASH HEAT SLENID
- RRHS RECIRCULATING RINSE HEAT SLENID
- WFSW1 WASH FLAT SWITCH 1
- WFSW2 WASH FLAT SWITCH 2
- RRFSW1 RECIRCULATING RINSE FLAT SWITCH 1
- RRFSW2 RECIRCULATING RINSE FLAT SWITCH 2
- TS1 WASH REGULATING THERMISTAT
- TS3 R - RINSE REGULATING THERMISTAT
- CWTS COLD WATER THERMISTAT (PTINAL)
- CWV COLD WATER VALVE (PTINAL)
- TLS TABLE LIMIT SWITCH (PTINAL)
- WFS WASH FILL SLENID
- RRFS RECIRCULATING RINSE FILL SLENID
- RS FINAL RINSE SLENID

99 5-12-17-6.

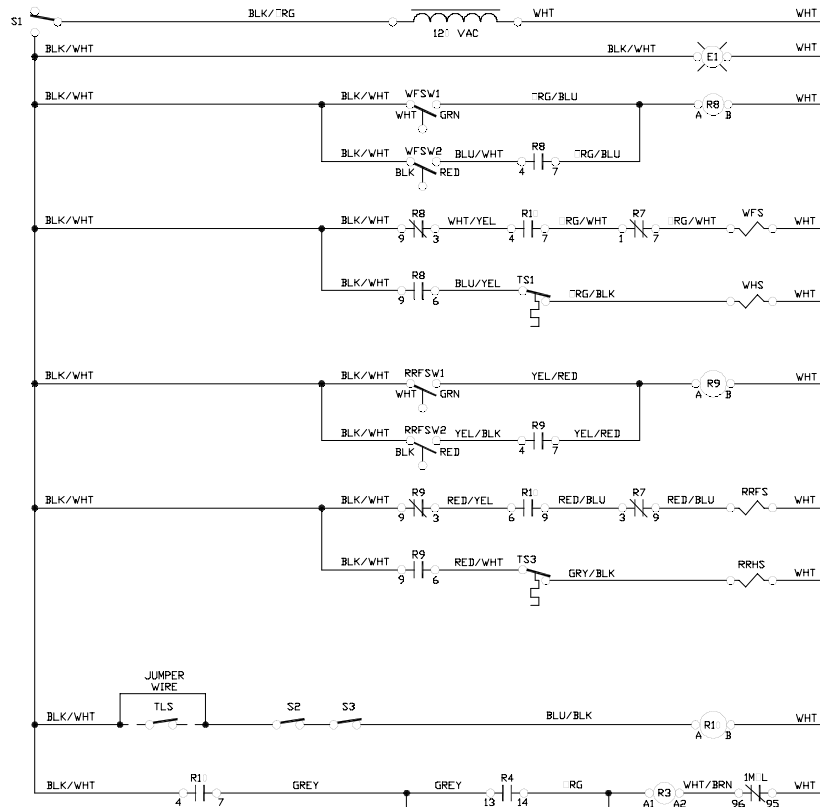
SECTION 6: ELECTRICAL SCHEMATICS

AJ-64CS (460 VOLT, 60 HZ, THREE PHASE) PRIMARY SIDE



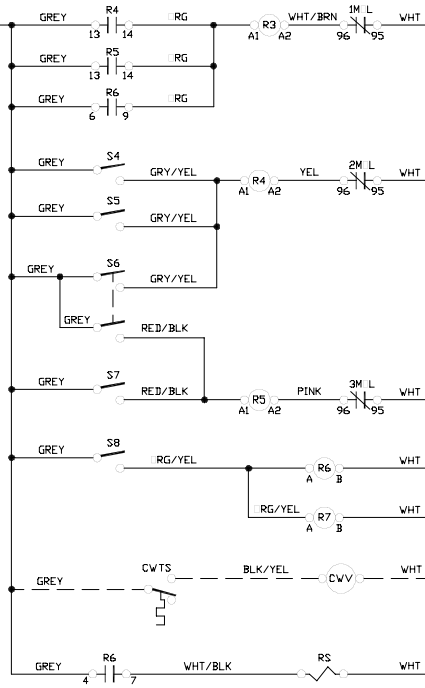
SECTION 6: ELECTRICAL SCHEMATICS

AJ-64CS (460 VOLT, 60 HZ, THREE PHASE) SECONDARY SIDE



LEGEND

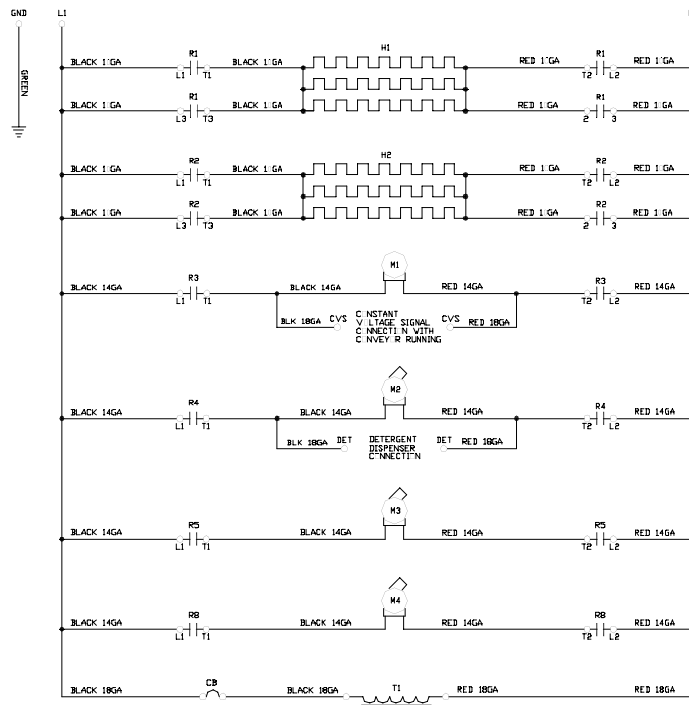
L1 L2 L3	POWER DISTRIBUTION BLACK
GND	GROUND
R3	DRIVE MOTOR CONTACTOR
R4	WASH PUMP MOTOR CONTACTOR
R5	R - RINSE PUMP MOTOR CONTACTOR
R6	FINAL RINSE RELAY #1
R7	FINAL RINSE RELAY #2
R8	WASH TANK FILL RELAY
R9	RECIRCULATING RINSE TANK FILL RELAY
R10	DOOR SAFETY SWITCH RELAY
M1	DRIVE MOTOR
M2	WASH PUMP MOTOR
M3	RECIRCULATING RINSE PUMP MOTOR
1M L	DRIVE MOTOR OVERLOAD
2M L	WASH PUMP MOTOR OVERLOAD
3M L	R - RINSE PUMP MOTOR OVERLOAD
FUSE	CENTRAL FUSE
T1	CENTRAL TRANSFORMER
DET	DETERGENT DISPENSER CONNECTION
CVS	CONSTANT VOLTAGE SIGNAL
S1	POWER SWITCH
S2	DOOR SAFETY SWITCH 1
S3	DOOR SAFETY SWITCH 2
S4	WASH PUMP SWITCH 1
S5	WASH PUMP SWITCH 2
S6	AUT - MAN/DELIME SWITCH
S7	RECIRCULATING RINSE PUMP SWITCH
S8	FINAL RINSE SWITCH
E1	POWER LIGHT
WHS	WASH HEAT SOLENOID
RRHS	RECIRCULATING RINSE HEAT SOLENOID
WFSW1	WASH FLAT SWITCH 1
WFSW2	WASH FLAT SWITCH 2
RRFSW1	RECIRCULATING RINSE FLAT SWITCH 1
RRFSW2	RECIRCULATING RINSE FLAT SWITCH 2
TS1	WASH REGULATING THERM STAT
TS3	R - RINSE REGULATING THERM STAT
CWTS	COLD WATER THERM STAT (PTIONAL)
CWV	COLD WATER VALVE (PTIONAL)
TL5	TABLE LIMIT SWITCH (PTIONAL)
WFS	WASH FILL SOLENOID
RRFS	RECIRCULATING RINSE FILL SOLENOID
RS	FINAL RINSE SOLENOID



99-5-002-55-97A

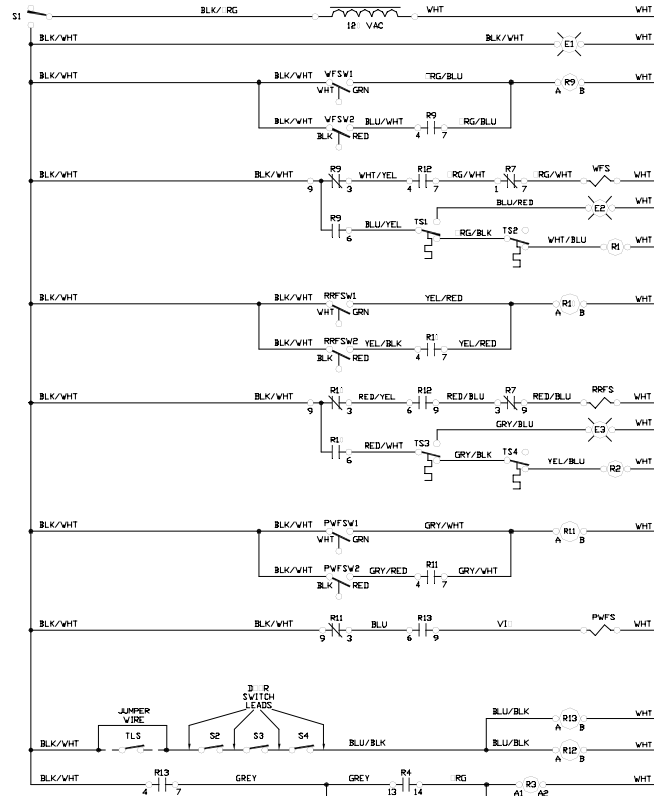
SECTION 6: ELECTRICAL SCHEMATICS

AJ-86CE & AJ-100CE (208-230 VOLT, 60 HZ, SINGLE PHASE) PRIMARY SIDE



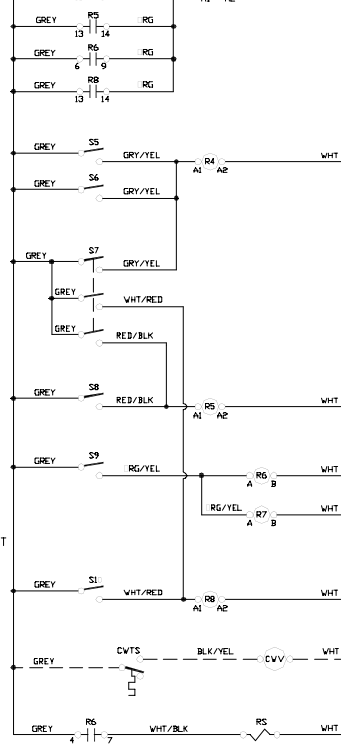
SECTION 6: ELECTRICAL SCHEMATICS

AJ-86CE & AJ-100CE (208-230 VOLT, 60 HZ, SINGLE PHASE) SECONDARY SIDE



LEGEND

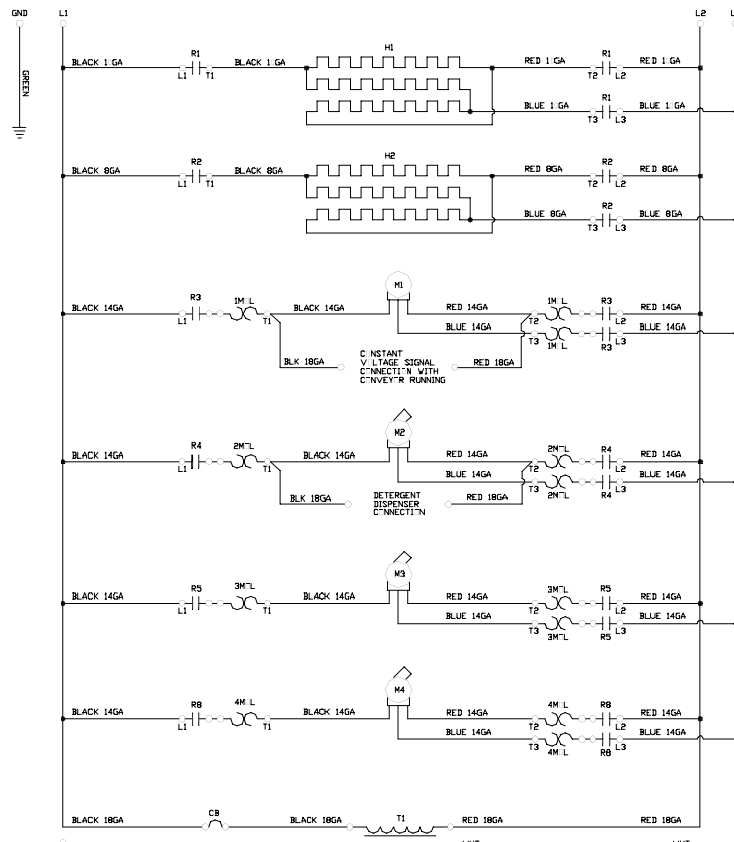
- L1 L2 L3 POWER DISTRIBUTION BLOCK
- GR GND
- R1 WASH TANK HEAT CONTACTOR
- R2 RECIRCULATING RINSE HEAT CONTACTOR
- R3 DRIVE MOTOR CONTACTOR
- R4 WASH PUMP MOTOR CONTACTOR
- R5 RECIRCULATING RINSE PUMP MOTOR CONTACTOR
- R6 FINAL RINSE RELAY #1
- R7 FINAL RINSE RELAY #2
- R8 PREWASH PUMP MOTOR CONTACTOR
- R9 WASH TANK FILL RELAY
- R11 RECIRCULATING RINSE TANK FILL RELAY
- R11 PRE-WASH TANK FILL RELAY
- R12 D/R SAFETY SWITCH RELAY #1
- R13 D/R SAFETY SWITCH RELAY #2
- H1 WASH HEATER
- H2 RECIRCULATING RINSE HEATER
- M1 DRIVE MOTOR
- M2 WASH PUMP MOTOR
- M3 RECIRCULATING RINSE PUMP MOTOR
- M4 PRE-WASH PUMP MOTOR
- CB CONTROL CIRCUIT BREAKER
- CNTL TRANSFORMER
- DET DETERGENT DISPENSER CONNECTION
- CVS CONSTANT VOLTAGE SIGNAL
- S1 POWER SWITCH
- S2 D/R SAFETY SWITCH 1
- S3 D/R SAFETY SWITCH 2
- S4 D/R SAFETY SWITCH 3
- S5 WASH PUMP SWITCH 1
- S6 WASH PUMP SWITCH 2
- S7 AUT - MAN/DELIME SWITCH
- S8 RECIRCULATING RINSE PUMP SWITCH
- S9 FINAL RINSE SWITCH
- S11 PRE-WASH PUMP SWITCH
- E1 POWER LIGHT
- E2 WASH HEATER HIGH LIMIT LIGHT
- E2 RECIRCULATING RINSE HEATER HIGH LIMIT LIGHT
- WFSV1 WASH FL AT SWITCH 1
- WFSV2 WASH FL AT SWITCH 2
- RRFSW1 RECIRCULATING RINSE FL AT SWITCH 1
- RRFSW2 RECIRCULATING RINSE FL AT SWITCH 2
- PWFSW1 PRE-WASH FL AT SWITCH 1
- PWFSW2 PRE-WASH FL AT SWITCH 2
- TS1 HEATER HIGH LIMIT THERM STAT
- TS2 WASH REGULATING THERM STAT
- TS1 R - RINSE HEATER HIGH LIMIT THERM STAT
- TS2 R - RINSE REGULATING THERM STAT
- CVTS COLD WATER THERM STAT (PTI NAL)
- CVV COLD WATER VALVE (PTI NAL)
- TLS TABLE LIMIT SWITCH (PTI NAL)
- WFS WASH FILL SIGNAL ID
- RRFS RECIRCULATING RINSE FILL SIGNAL ID
- PWFS PRE-WASH FILL SIGNAL ID
- RS FINAL RINSE SIGNAL ID



09905-031-80-35

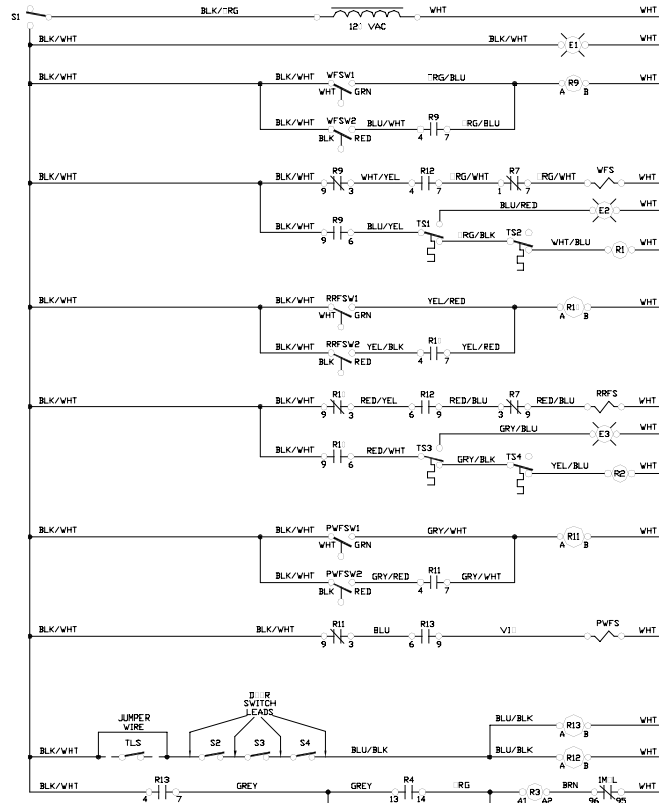
SECTION 6: ELECTRICAL SCHEMATICS

AJ-86CE & AJ-100CE (208-230 VOLT, 60 HZ, THREE PHASE) PRIMARY SIDE



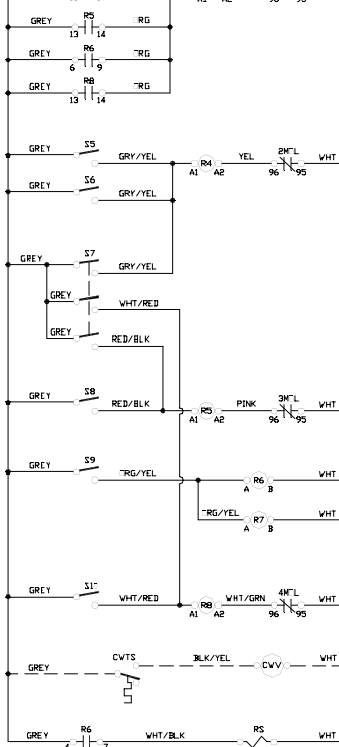
SECTION 6: ELECTRICAL SCHEMATICS

AJ-86CE & AJ-100CE (208-230 VOLT, 60 HZ, THREE PHASE) SECONDARY SIDE



LEGEND

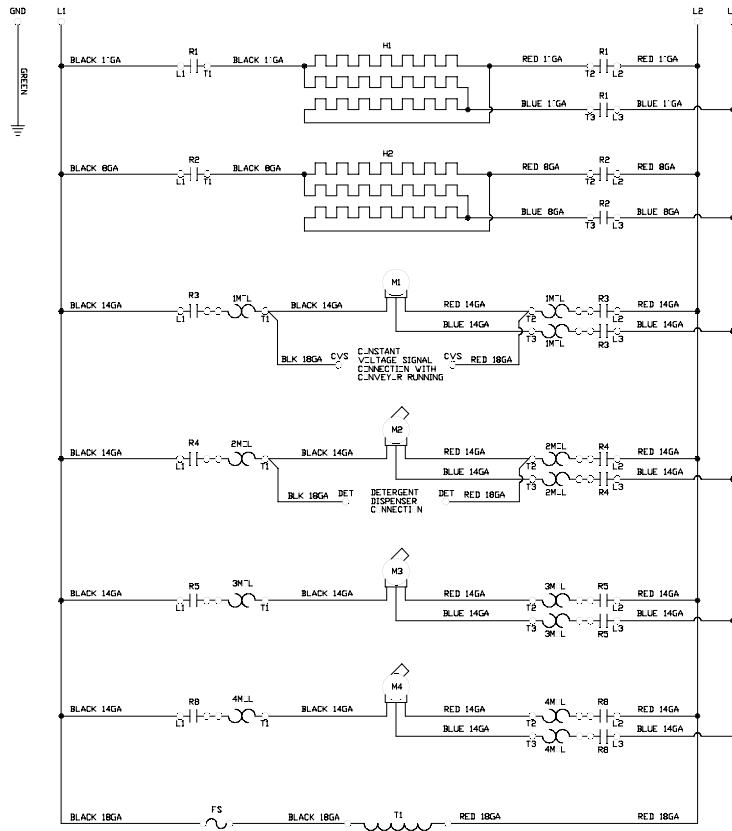
- L1 L2 L3 POWER DISTRIBUTION BLACK
- GND GROUND
- R1 WASH TANK HEAT CONTACTOR
- R2 RECIRCULATING RINSE HEAT CONTACTOR
- R3 DRIVE MOTOR CONTACTOR
- R4 WASH PUMP MOTOR CONTACTOR
- R5 R - RINSE PUMP MOTOR CONTACTOR
- R6 FINAL RINSE RELAY #1
- R7 FINAL RINSE RELAY #2
- R8 PRE-WASH PUMP MOTOR CONTACTOR
- R9 WASH TANK FILL RELAY
- R10 RECIRCULATING RINSE TANK FILL RELAY
- R11 PRE-WASH TANK FILL RELAY
- R12 MOTOR SAFETY SWITCH RELAY #1
- R13 MOTOR SAFETY SWITCH RELAY #2
- H1 WASH HEATER
- H2 RECIRCULATING RINSE HEATER
- M1 DRIVE MOTOR
- M2 WASH PUMP MOTOR
- M3 RECIRCULATING RINSE PUMP MOTOR
- M4 PRE-WASH PUMP MOTOR
- 1M7L DRIVE MOTOR OVERLOAD
- 2M7L WASH PUMP MOTOR OVERLOAD
- 3M7L R - RINSE PUMP MOTOR OVERLOAD
- 4M7L PRE-WASH PUMP MOTOR OVERLOAD
- CB CENTRAL CIRCUIT BREAKER
- T1 CENTRAL TRANSFORMER
- S1 POWER SWITCH
- S2 MOTOR SAFETY SWITCH 1
- S3 MOTOR SAFETY SWITCH 2
- S4 MOTOR SAFETY SWITCH 3
- S5 WASH PUMP SWITCH 1
- S6 WASH PUMP SWITCH 2
- S7 AUT - MAN/DELIME SWITCH
- S8 RECIRCULATING RINSE PUMP SWITCH
- S9 FINAL RINSE SWITCH
- S10 PRE-WASH PUMP SWITCH
- E1 POWER LIGHT
- E2 WASH HEATER HIGH LIMIT LIGHT
- E3 R - RINSE HEATER HIGH LIMIT LIGHT
- WFSW1 WASH FLAT SWITCH 1
- WFSW2 WASH FLAT SWITCH 2
- RRFSW1 RECIRCULATING RINSE FLAT SWITCH 1
- RRFSW2 RECIRCULATING RINSE FLAT SWITCH 2
- PVFSW1 PRE-WASH FLAT SWITCH 1
- PVFSW2 PRE-WASH FLAT SWITCH 2
- TS1 HEATER HIGH LIMIT THERMISTAT
- TS2 WASH REGULATING THERMISTAT
- TS3 R - RINSE HEATER HIGH LIMIT THERMISTAT
- TS4 R - RINSE REGULATING THERMISTAT
- CVTS COLD WATER THERMISTAT (OPTIONAL)
- CVV COLD WATER VALVE (OPTIONAL)
- TLS TABLE LIMIT SWITCH (OPTIONAL)
- WFS WASH FILL SILENTID
- RRFS RECIRCULATING RINSE FILL SILENTID
- PVFS PRE-WASH FILL SILENTID
- RS FINAL RINSE SILENTID



99'S-141-83-76

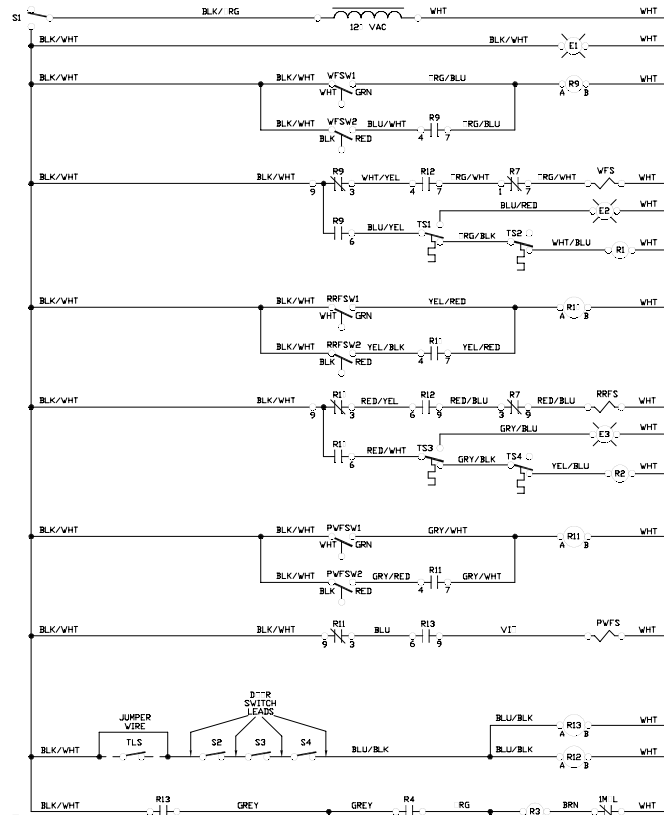
SECTION 6: ELECTRICAL SCHEMATICS

AJ-86CE & AJ-100CE (460 VOLT, 60 HZ, THREE PHASE) PRIMARY SIDE



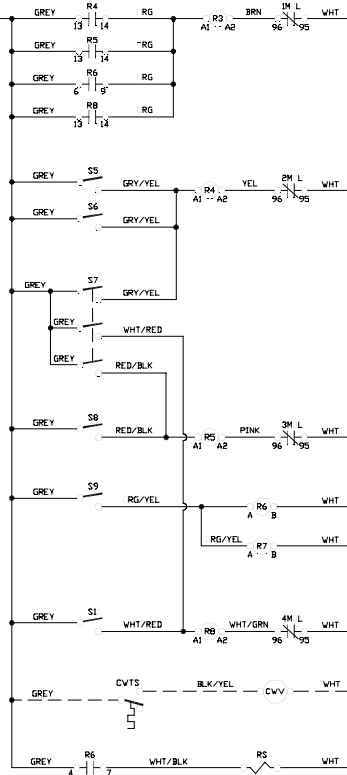
SECTION 6: ELECTRICAL SCHEMATICS

AJ-86CE & AJ-100CE (460 VOLT, 60 HZ, THREE PHASE) SECONDARY SIDE



LEGEND

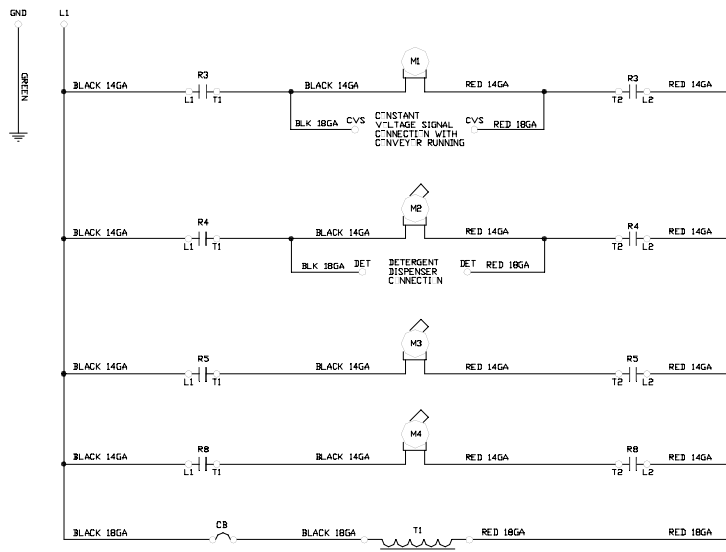
- L1 L2 L3 P-TWER DISTRIBUTION BLK/CK
- GND GR-UND
- R1 WASH TANK HEAT C NTACT R
- R2 RECIRCULATING RINSE HEAT C NTACT R
- R3 DRIVE M T T R C NTACT R
- R4 WASH PUMP M T R C NTACT R
- R5 RECIRCULATING RINSE PUMP M T R C NTACT R
- R6 FINAL RINSE RELAY #1
- R7 FINAL RINSE RELAY #2
- R8 PREWASH PUMP M T R C NTACT R
- R9 WASH TANK FILL RELAY
- R10 RECIRCULATING RINSE TANK FILL RELAY
- R11 PRE-WASH TANK FILL RELAY
- R12 D R SAFETY SWITCH RELAY #1
- R13 D T R SAFETY SWITCH RELAY #2
- H1 WASH HEATER
- H2 RECIRCULATING RINSE HEATER
- M1 DRIVE M T T R
- M2 WASH PUMP M T R
- M3 RECIRCULATING RINSE PUMP M T R
- M4 PRE-WASH PUMP M T R
- 1M L DRIVE M T T R VERL AD
- 2M L WASH PUMP M T T R VERL AD
- 3M L RECIRCULATING RINSE PUMP M T T R VERL AD
- 4M L PRE-WASH PUMP M T T R VERL AD
- FS C NTR L FUSE
- T1 C NTR L TRANSF RMER
- DET DETERGENT DISPENSER C NNECTI N
- CVS C NSTAT V LTAGE SIGNAL
- P WER SWITCH
- S1 D R SAFETY SWITCH 1
- S2 D R SAFETY SWITCH 2
- S3 D R SAFETY SWITCH 3
- S4 WASH PUMP SWITCH 1
- S5 WASH PUMP SWITCH 2
- S6 AUT - MAN/DELTIME SWITCH
- S7 RECIRCULATING RINSE PUMP SWITCH
- S8 FINAL RINSE SWITCH
- S9 PRE-WASH PUMP SWITCH
- E1 P WER LIGHT
- E2 WASH HEATER HIGH LIMIT LIGHT
- WFSW1 WASH FL AT SWITCH 1
- WFSW2 WASH FL AT SWITCH 2
- RRFSW1 RECIRCULATING RINSE FL AT SWITCH 1
- RRFSW2 RECIRCULATING RINSE FL AT SWITCH 2
- PWFSW1 PRE-WASH FL AT SWITCH 1
- PWFSW2 PRE-WASH FL AT SWITCH 2
- TS1 HEATER HIGH LIMIT THERM STAT
- TS2 WASH REGULATING THERM STAT
- TS1 R - RINSE HEATER HIGH LIMIT THERM STAT
- TS2 R - RINSE REGULATING THERM STAT
- CVTS C LD WATER THERM STAT (P T I NAL)
- CVV C LD WATER VALVE (P T I NAL)
- TLS TABLE LIMIT SWITCH (P T I NAL)
- WFS WASH FILL S LEN ID
- RRFS RECIRCULATING RINSE FILL S LEN ID
- PWFS PRE-WASH FILL S LEN ID
- RS FINAL RINSE S LEN ID



99 5- 41-94-99

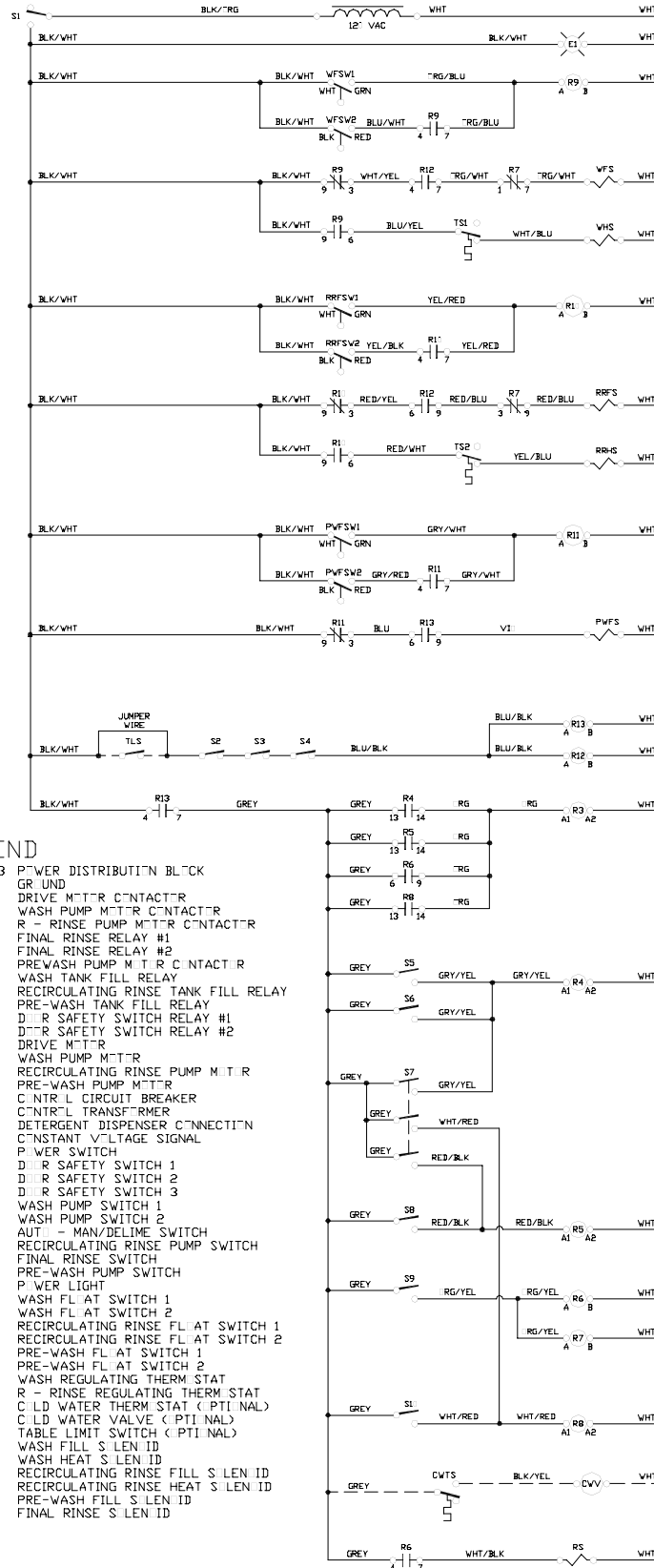
SECTION 6: ELECTRICAL SCHEMATICS

AJ-86CS & AJ-100CS (208-230 VOLT, 60 HZ, SINGLE PHASE) PRIMARY SIDE



SECTION 6: ELECTRICAL SCHEMATICS

AJ-86CS & AJ-100CS (208-230 VOLT, 60 HZ, SINGLE PHASE) SECONDARY SIDE



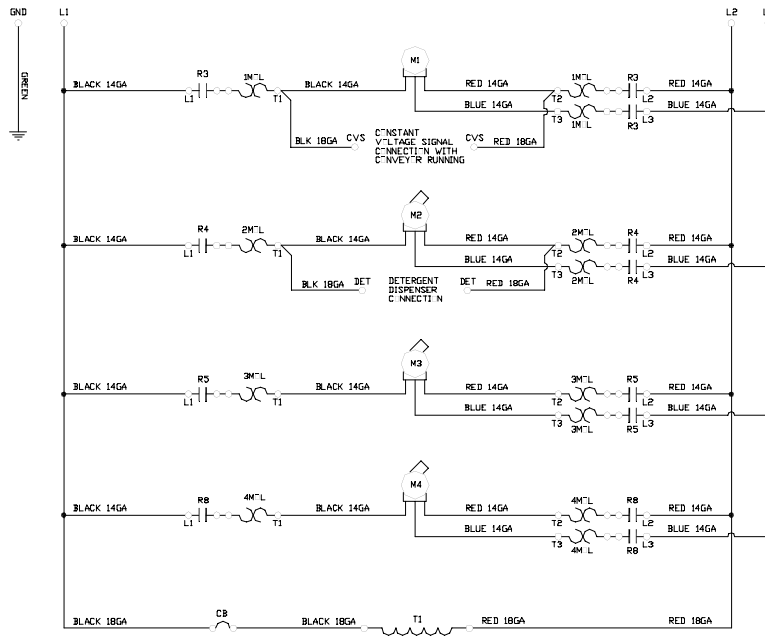
LEGEND

- L1 L2 L3 POWER DISTRIBUTION BLOCK
- GND GR. UND
- R3 DRIVE MOTOR CONTACTOR
- R4 WASH PUMP MOTOR CONTACTOR
- R5 R - RINSE PUMP MOTOR CONTACTOR
- R6 FINAL RINSE RELAY #1
- R7 FINAL RINSE RELAY #2
- R8 PREWASH PUMP MOTOR CONTACTOR
- R9 WASH TANK FILL RELAY
- R1 RECIRCULATING RINSE TANK FILL RELAY
- R11 PRE-WASH TANK FILL RELAY
- R12 DOR SAFETY SWITCH RELAY #1
- R13 DOR SAFETY SWITCH RELAY #2
- M1 DRIVE MOTOR
- M2 WASH PUMP MOTOR
- M3 RECIRCULATING RINSE PUMP MOTOR
- M4 PRE-WASH PUMP MOTOR
- CB CIRCUIT BREAKER
- T1 TRANSFORMER
- DET DETERGENCY DISCONNECT
- CVS CONSTANT VOLTAGE SIGNAL
- S1 POWER SWITCH
- S2 DOR SAFETY SWITCH 1
- S3 DOR SAFETY SWITCH 2
- S4 DOR SAFETY SWITCH 3
- S5 WASH PUMP SWITCH 1
- S6 WASH PUMP SWITCH 2
- S7 AUTO - MAN/DELIM SWITCH
- S8 RECIRCULATING RINSE PUMP SWITCH
- S9 FINAL RINSE SWITCH
- S1 PRE-WASH PUMP SWITCH
- E1 POWER LIGHT
- WFSW1 WASH FL AT SWITCH 1
- WFSW2 WASH FL AT SWITCH 2
- RRFSW1 RECIRCULATING RINSE FL AT SWITCH 1
- RRFSW2 RECIRCULATING RINSE FL AT SWITCH 2
- PWFSW1 PRE-WASH FL AT SWITCH 1
- PWFSW2 PRE-WASH FL AT SWITCH 2
- TS1 WASH REGULATING THERM. STAT
- TS2 R - RINSE REGULATING THERM. STAT
- CVTS COLD WATER THERM. STAT (PTI. NAL)
- CWV COLD WATER VALVE (PTI. NAL)
- TLS TABLE LIMIT SWITCH (PTI. NAL)
- WFS WASH FILL S LEN ID
- WHS WASH HEAT S LEN ID
- RRFS RECIRCULATING RINSE FILL S LEN ID
- RRHS RECIRCULATING RINSE HEAT S LEN ID
- PWFS PRE-WASH FILL S LEN ID
- RS FINAL RINSE S LEN ID

99-5-002-56-3

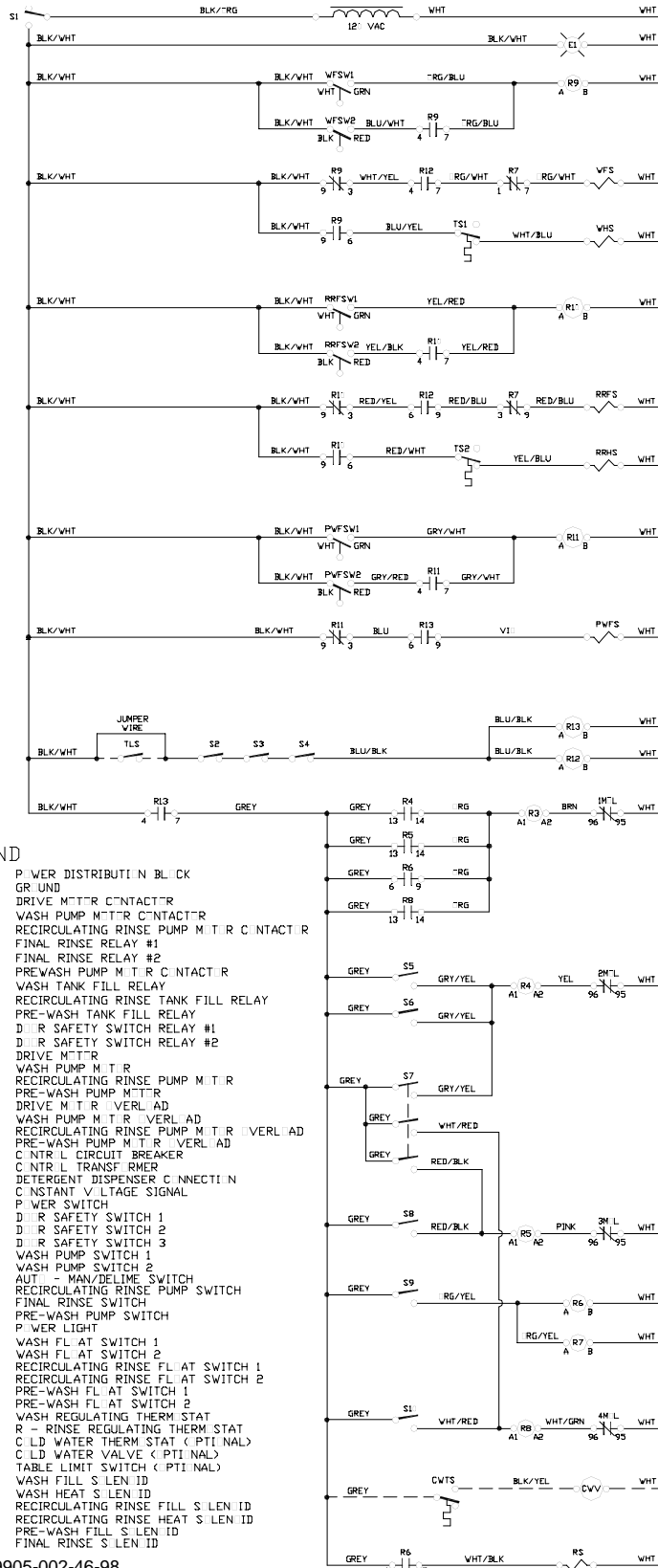
SECTION 6: ELECTRICAL SCHEMATICS

AJ-86CS & AJ-100CS (208-230 VOLT, 60 HZ, THREE PHASE) PRIMARY SIDE



SECTION 6: ELECTRICAL SCHEMATICS

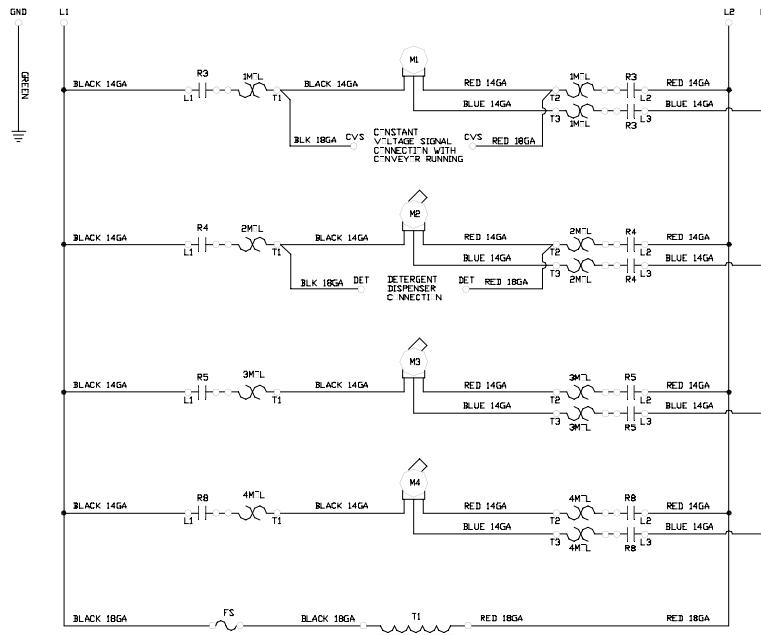
AJ-86CS & AJ-100CS (208-230 VOLT, 60 HZ, THREE PHASE) SECONDARY SIDE



09905-002-46-98

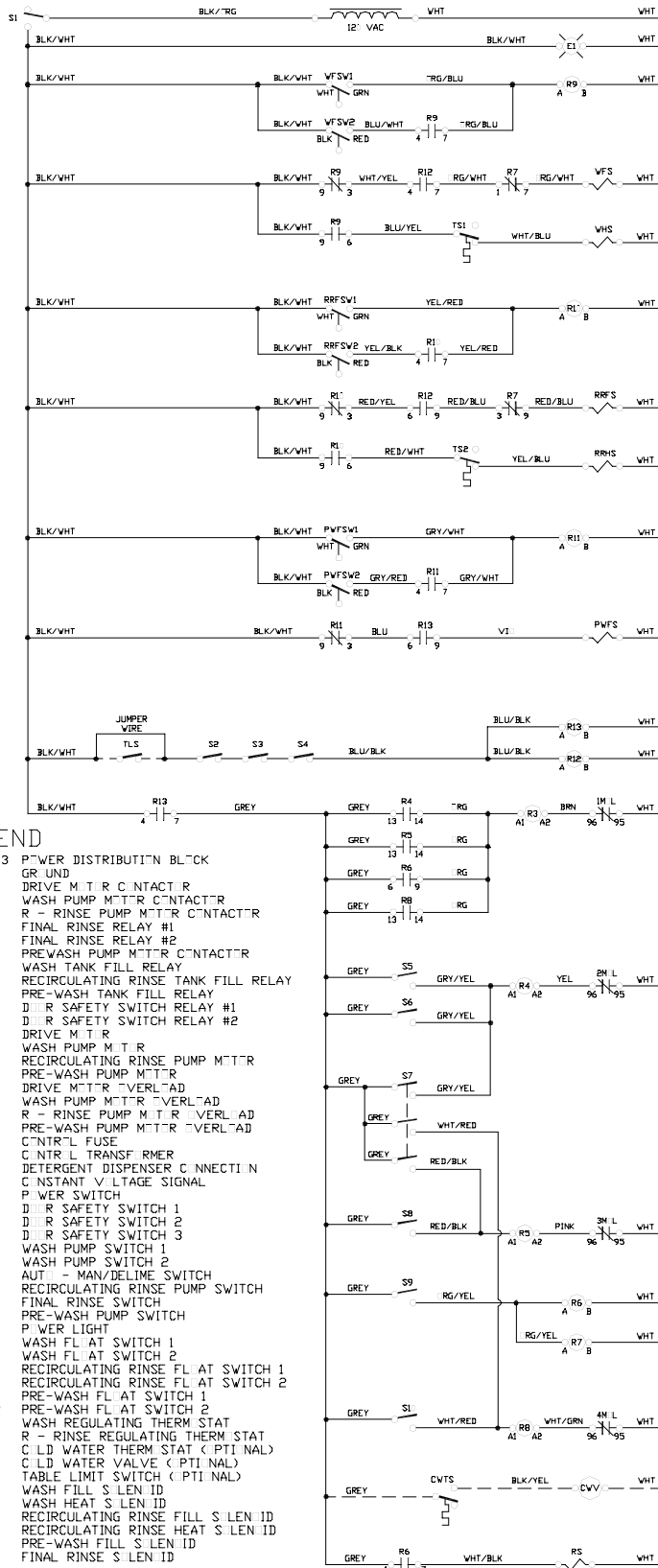
SECTION 6: ELECTRICAL SCHEMATICS

AJ-86CS & AJ-100CS (460 VOLT, 60 HZ, THREE PHASE) PRIMARY SIDE



SECTION 6: ELECTRICAL SCHEMATICS

AJ-86CS & AJ-100CS (460 VOLT, 60 HZ, THREE PHASE) SECONDARY SIDE



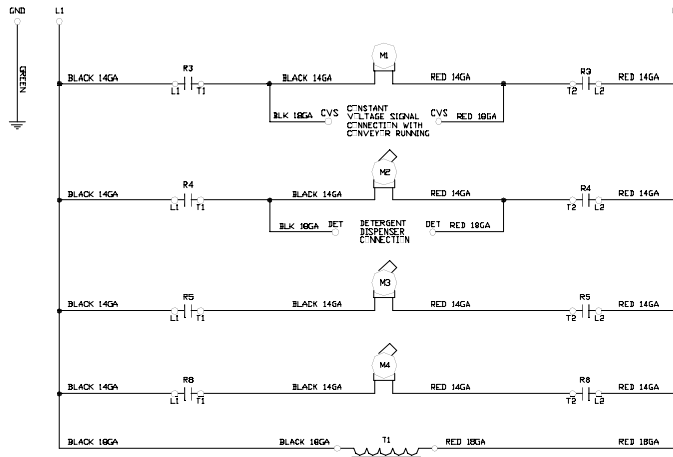
LEGEND

- L1 L2 L3 POWER DISTRIBUTION BLOCK
- GND GROUND
- R3 DRIVE MOTOR CONTACTOR
- R4 WASH PUMP MOTOR CONTACTOR
- R5 R - RINSE PUMP MOTOR CONTACTOR
- R6 FINAL RINSE RELAY #1
- R7 FINAL RINSE RELAY #2
- R8 PREWASH PUMP MOTOR CONTACTOR
- R9 WASH TANK FILL RELAY
- R1 RECIRCULATING RINSE TANK FILL RELAY
- R11 PRE-WASH TANK FILL RELAY
- R12 DETERGENT SAFETY SWITCH RELAY #1
- R13 DETERGENT SAFETY SWITCH RELAY #2
- M1 DRIVE MOTOR
- M2 WASH PUMP MOTOR
- M3 RECIRCULATING RINSE PUMP MOTOR
- M4 PRE-WASH PUMP MOTOR
- 1M^L DRIVE MOTOR OVERLOAD
- 2M^L WASH PUMP MOTOR OVERLOAD
- 3M^L R - RINSE PUMP MOTOR OVERLOAD
- 4M^L PRE-WASH PUMP MOTOR OVERLOAD
- FS CONTROL FUSE
- T1 CONTROL TRANSFORMER
- DET DETERGENT DISPENSER CONNECTION
- CVS CONSTANT VOLTAGE SIGNAL
- S1 POWER SWITCH
- S2 DETERGENT SAFETY SWITCH 1
- S3 DETERGENT SAFETY SWITCH 2
- S4 DETERGENT SAFETY SWITCH 3
- S5 WASH PUMP SWITCH 1
- S6 WASH PUMP SWITCH 2
- S7 AUTO - MAN/DELIMIT SWITCH
- S8 RECIRCULATING RINSE PUMP SWITCH
- S9 FINAL RINSE SWITCH
- S10 PRE-WASH PUMP SWITCH
- E1 POWER LIGHT
- WFSW1 WASH FLAT SWITCH 1
- WFSW2 WASH FLAT SWITCH 2
- RRFWS1 RECIRCULATING RINSE FLAT SWITCH 1
- RRFWS2 RECIRCULATING RINSE FLAT SWITCH 2
- PWFSW1 PRE-WASH FLAT SWITCH 1
- PWFSW2 PRE-WASH FLAT SWITCH 2
- TS1 WASH REGULATING THERMISTAT
- TS2 R - RINSE REGULATING THERMISTAT
- CWTS COLD WATER THERMISTAT (PTI)NAL
- CWV COLD WATER VALVE (PTI)NAL
- TLS TABLE LIMIT SWITCH (PTI)NAL
- VFS WASH FILL SLENID
- VHS WASH HEAT SLENID
- RRFS RECIRCULATING RINSE FILL SLENID
- RRHS RECIRCULATING RINSE HEAT SLENID
- PWFS PRE-WASH FILL SLENID
- RS FINAL RINSE SLENID

99-5-41-93-74

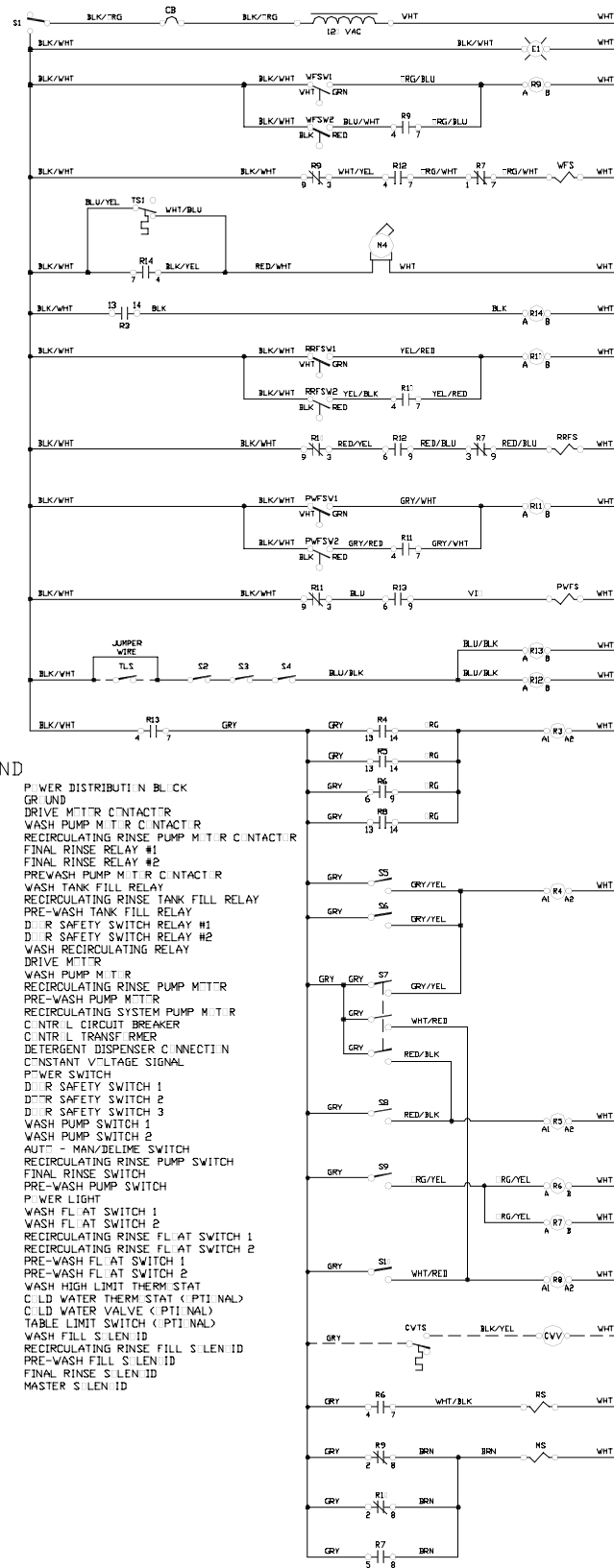
SECTION 6: ELECTRICAL SCHEMATICS

AJ-86CGP & AJ-100CGP (208-230 VOLTS, 60 HZ, SINGLE PHASE) PRIMARY SIDE



SECTION 6: ELECTRICAL SCHEMATICS

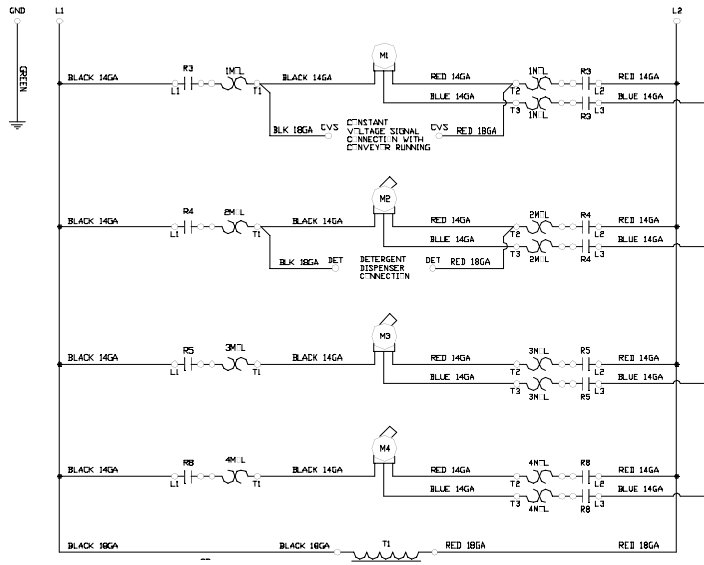
AJ-86CGP & AJ-100CGP (208-230 VOLTS, 60 HZ, SINGLE PHASE) SECONDARY SIDE



99 5--2-6--59.

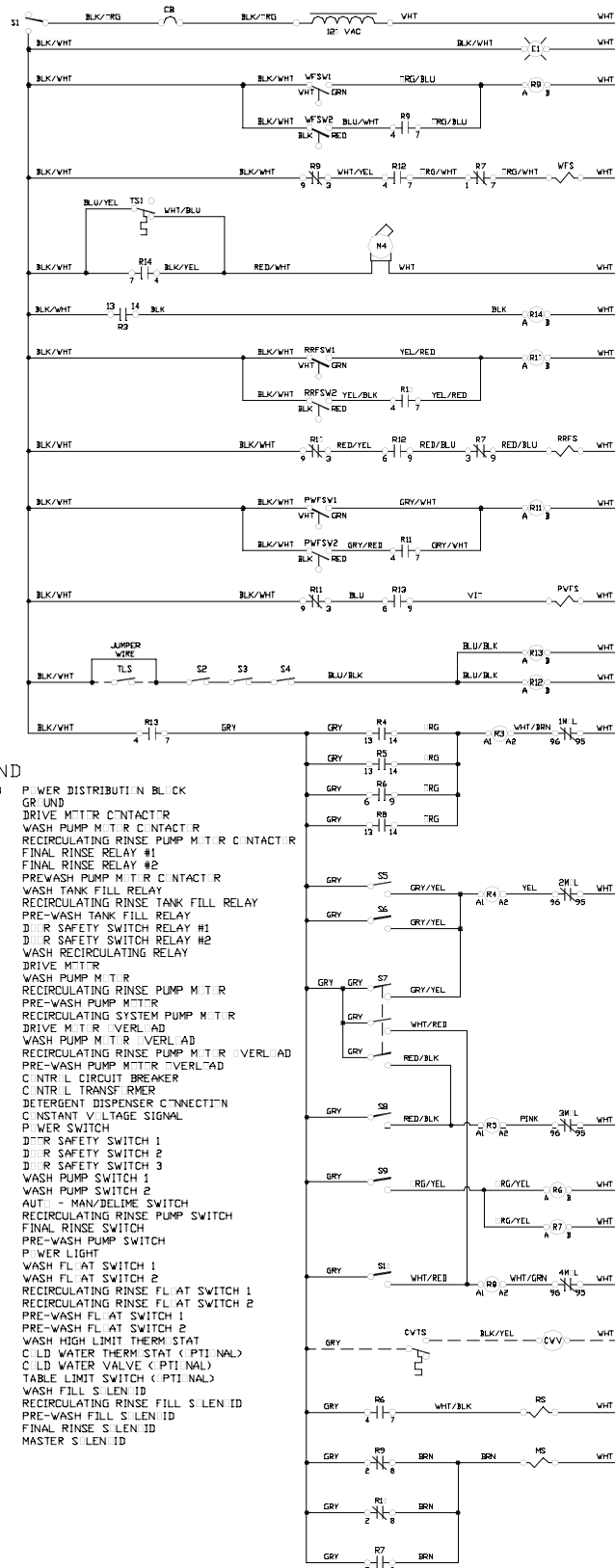
SECTION 6: ELECTRICAL SCHEMATICS

AJ-86CGP & AJ-100CGP (208-230 VOLTS, 60 HZ, THREE PHASE) PRIMARY SIDE



SECTION 6: ELECTRICAL SCHEMATICS

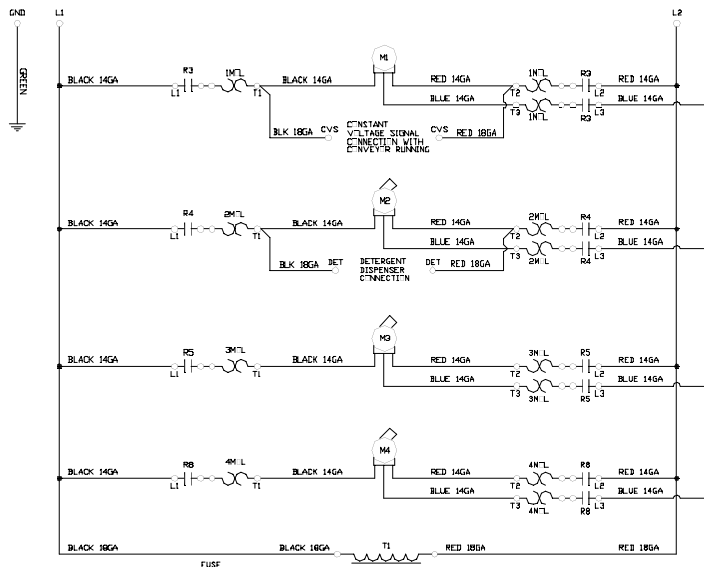
AJ-86CGP & AJ-100CGP (208-230 VOLTS, 60 HZ, THREE PHASE) SECONDARY SIDE



9915-41-06-74c

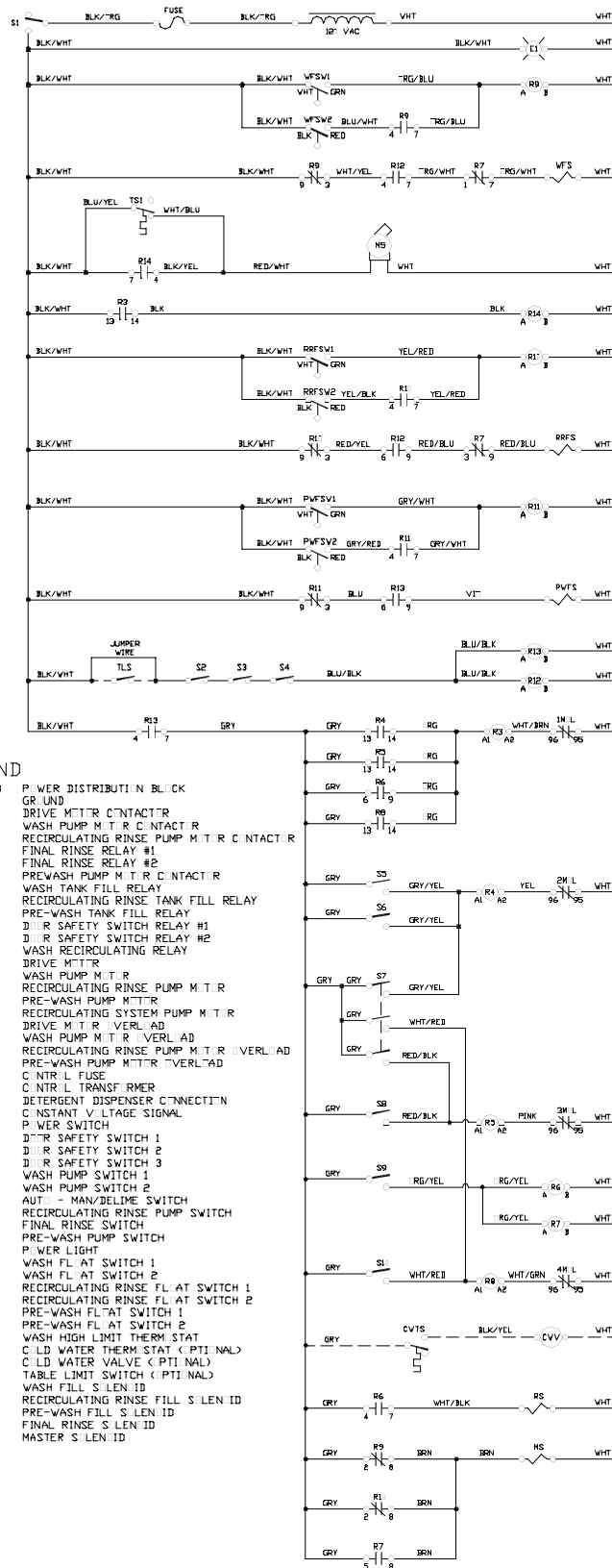
SECTION 6: ELECTRICAL SCHEMATICS

AJ-86CGP & AJ-100CGP (460 VOLTS, 60 HZ, THREE PHASE) PRIMARY SIDE



SECTION 6: ELECTRICAL SCHEMATICS

AJ-86CGP & AJ-100CGP (460 VOLTS, 60 HZ, THREE PHASE) SECONDARY SIDE

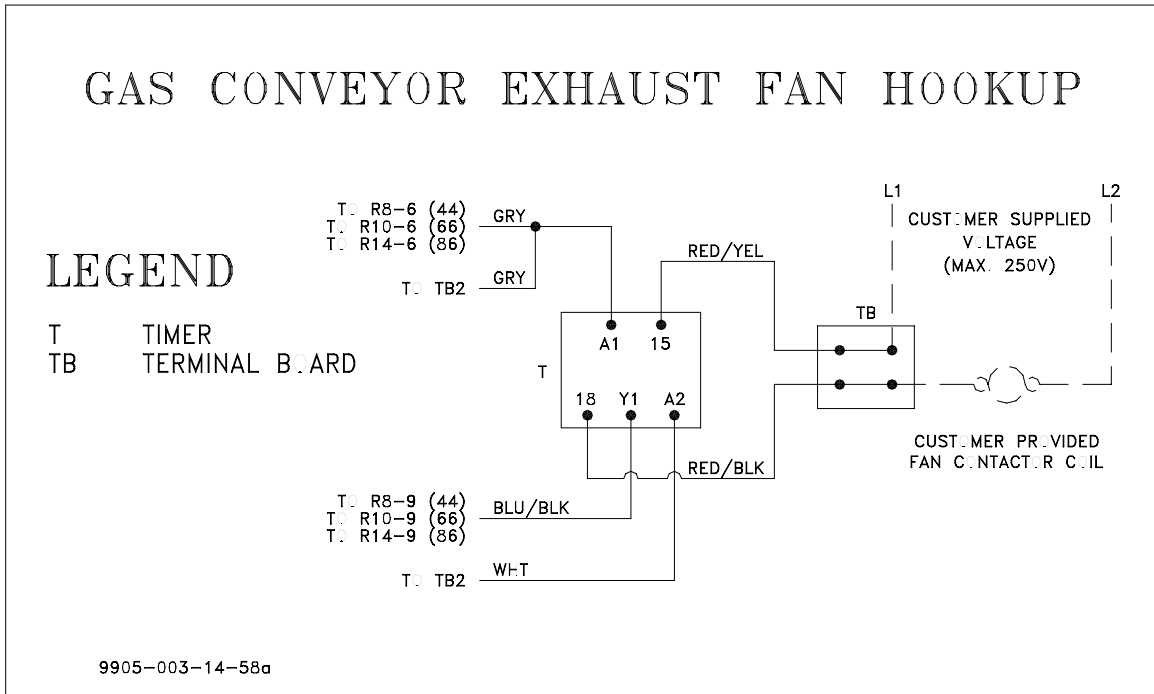
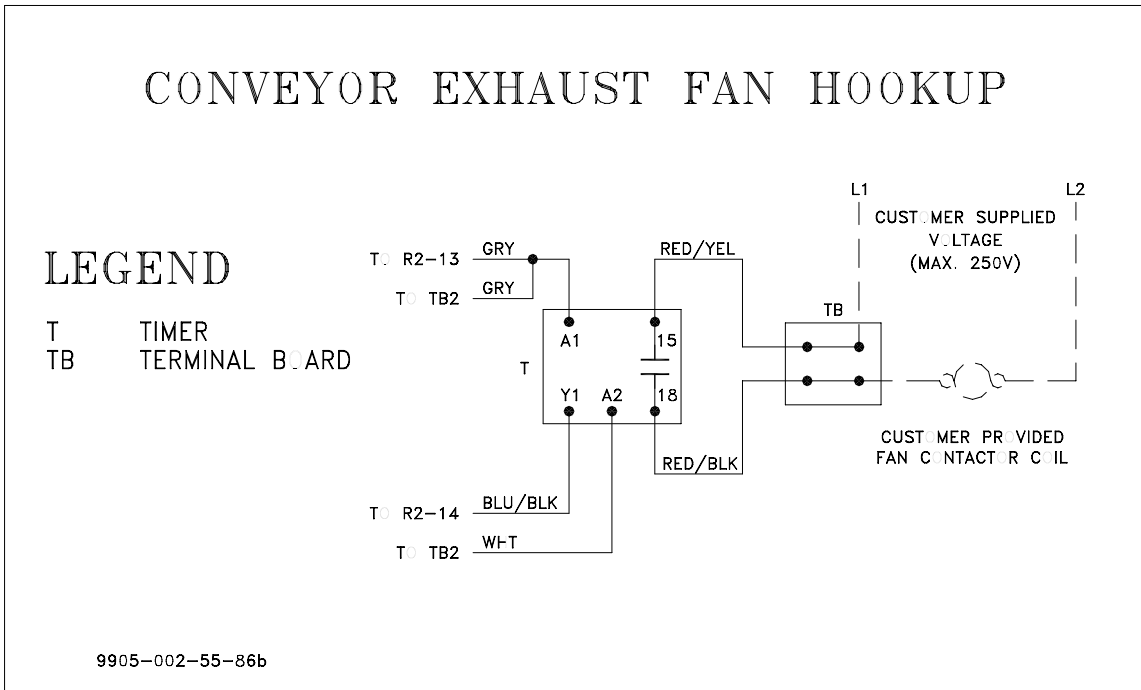


LEGEND

- L1 L2 L3 POWER DISTRIBUTION BLOCK
- GR GROUND
- R3 DRIVE MOTOR CONTACTOR
- R4 WASH PUMP MOTOR CONTACTOR
- R5 RECIRCULATING RINSE PUMP MOTOR CONTACTOR
- R6 FINAL RINSE RELAY #1
- R7 FINAL RINSE RELAY #2
- R8 PREWASH PUMP MOTOR CONTACTOR
- R9 WASH TANK FILL RELAY
- R11 RECIRCULATING RINSE TANK FILL RELAY
- R12 DETERGENT SAFETY SWITCH RELAY #1
- R13 DETERGENT SAFETY SWITCH RELAY #2
- R14 WASH RECIRCULATING RELAY
- M1 DRIVE MOTOR
- M2 WASH PUMP MOTOR
- M3 RECIRCULATING RINSE PUMP MOTOR
- M4 PRE-WASH PUMP MOTOR
- M5 RECIRCULATING SYSTEM PUMP MOTOR
- 1M L DRIVE MOTOR OVERLOAD
- 2M L WASH PUMP MOTOR OVERLOAD
- 3M L RECIRCULATING RINSE PUMP MOTOR OVERLOAD
- 4M L PRE-WASH PUMP MOTOR OVERLOAD
- FUSE CENTRAL FUSE
- T1 CENTRAL TRANSFORMER
- DET DETERGENT DISPENSER CONNECTION
- CVS INSTANT VOLTAGE SIGNAL
- S1 POWER SWITCH
- S2 DETERGENT SAFETY SWITCH 1
- S3 DETERGENT SAFETY SWITCH 2
- S4 DETERGENT SAFETY SWITCH 3
- S5 WASH PUMP SWITCH 1
- S6 WASH PUMP SWITCH 2
- S7 AUTO - MAN/DELIMIT SWITCH
- S8 RECIRCULATING RINSE PUMP SWITCH
- S9 FINAL RINSE SWITCH
- S11 PRE-WASH PUMP SWITCH
- E1 POWER LIGHT
- WFSW1 WASH FLAT SWITCH 1
- WFSW2 WASH FLAT SWITCH 2
- RRFSW1 RECIRCULATING RINSE FLAT SWITCH 1
- RRFSW2 RECIRCULATING RINSE FLAT SWITCH 2
- PVFSW1 PRE-WASH FLAT SWITCH 1
- PVFSW2 PRE-WASH FLAT SWITCH 2
- WHTS WASH HIGH LIMIT THERM. STAT
- CVTS COLD WATER THERM. STAT (PTI.NAL)
- CVV COLD WATER VALVE (PTI.NAL)
- TLS TABLE LIMIT SWITCH (PTI.NAL)
- WFS WASH FILL SLEN ID
- RRFS RECIRCULATING RINSE FILL SLEN ID
- PVFS PRE-WASH FILL SLEN ID
- RS FINAL RINSE SLEN ID
- MS MASTER SLEN ID

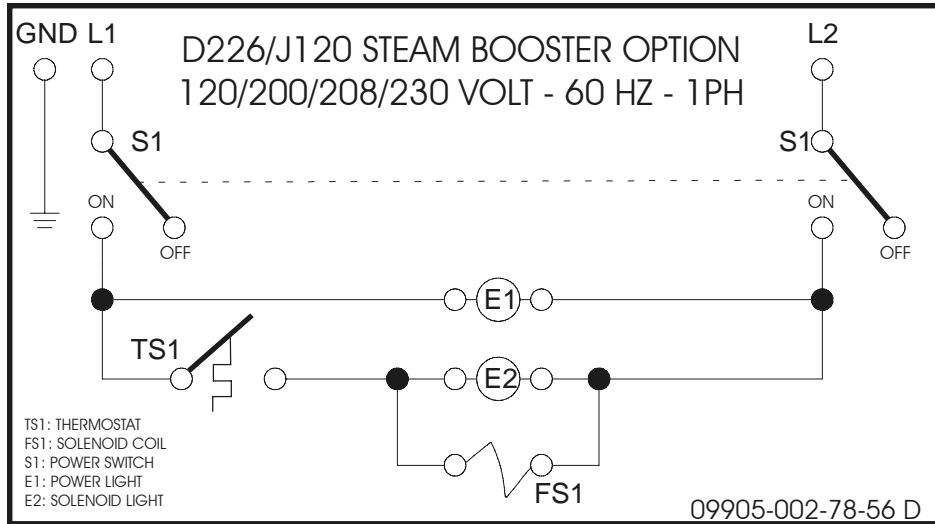
99'5-112-61-52

SECTION 6: ELECTRICAL SCHEMATICS
CONVEYOR EXHAUST FAN HOOKUP

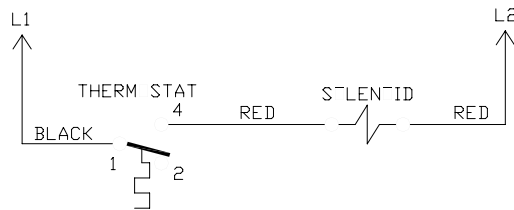


SECTION 6: ELECTRICAL SCHEMATICS

D226 STEAM BOOSTER/DRAIN QUENCH SYSTEM/SIDE LOADER



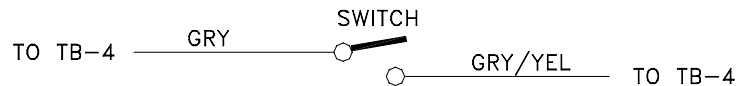
Drain Quench System



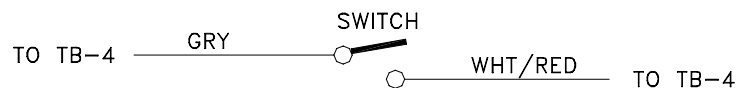
CONNECT BLACK WIRE TO THERM CONTACTOR - L1 WITH PIGGYBACK TERMINAL PROVIDED
CONNECT WHITE WIRE TO THERM CONTACTOR - L2 WITH PIGGYBACK TERMINAL PROVIDED

CONVEYOR SIDE LOADER

64" CONVEYORS



86" & 100" CONVEYORS



9905-002-56-84a

**SECTION 7:
JACKSON MAINTENANCE
& REPAIR CENTERS**

SECTION 7: JACKSON MAINTENANCE & REPAIR CENTERS

ALABAMA TO FLORIDA

ALABAMA

JONES-McLEOD APPLIANCE SVC

1616 7TH AVE. NORTH
BIRMINGHAM, AL 35203
(205) 251-0159
800-821-1150
FAX: (205) 322-1440
service@jones-mcleod.com

JONES-McLEOD APPLIANCE SVC

854 LAKESIDE DRIVE
MOBILE, AL 36693
(251) 666-7278
800-237-9859
FAX: (251) 661-0223

ALASKA

RESTAURANT APPLIANCE SERVICE

7219 ROOSEVELT WAY NE
SEATTLE, WA 98115
(206) 524-8200
800-433-9390
FAX: (206) 525-2890
info@restappl.com

ARIZONA

AUTHORIZED COMMERCIAL FOOD EQMT. SVC

4832 SOUTH 35TH STREET
PHOENIX, AZ 85040
(602) 234-2443
800-824-8875
FAX: (602) 232-5862
acsboss@aol.com

GCS SERVICE INC.

PHOENIX, AZ
(602) 474-4510
800-510-3497
FAX: (602) 470-4511

ARKANSAS

BROMLEY PARTS & SVC

10TH AND RINGO
P.O. BOX 1688
LITTLE ROCK, AR 72202
(501) 374-0281
800-482-9269
FAX: (501) 374-8352
service@bromleyparts.com
parts@bromleyparts.com

GCS SERVICE, INC.

3717 CHERRY ROAD
MEMPHIS, TN 38118
(901) 366-4587
800-262-9155
FAX: (901) 366-4588

CALIFORNIA

BARKERS FOOD MACHINERY SERVICES

5367 SECOND STREET
IRWINDALE, CA 91706
(626) 960-9390
800-258-6999
FAX: (626) 337-4541
service@barkers.com

GCS SERVICE INC.

LOS ANGELES, CA
(213) 683-2090
800-327-1433
FAX: (213) 683-2099

GCS SERVICE INC.

SANTA ANA, CA
(714) 542-1798
800-540-0719
FAX: (714) 542-4787

GCS SERVICE INC.

S. SAN FRANCISCO, CA
(650) 635-0720
800-969-4427
FAX: (650) 871-4019

COMMERCIAL APPLIANCE SERVICE, INC.

6507 PACIFIC AVENUE, SUITE 102
STOCKTON, CA 95207
(916) 567-0203
(800) 464-2222
(916) 567-0266 FAX

GCS SERVICE INC.

SAN DIEGO, CA
(858) 549-8411
800-422-7278
FAX: (858) 549-2323

INDUSTRIAL ELECTRIC SVC.

5662 ENGINEER DRIVE
HUNTINGTON BEACH, CA 92649
(714) 379-7100
(800-457-3783
FAX: (714) 379-7109

P & D APPLIANCE SVC

100 SOUTH LINDEN AVE.
S. SAN FRANCISCO, CA 94080
(650) 635-1900
800-424-1414
FAX: (650) 635-1919
pndappl@aol.com

P & D APPLIANCE

4220-C ROSEVILLE ROAD
NORTH HIGHLANDS, CA 95660
(916) 974-2772
800-824-7219
FAX: (916) 974-2774

COMMERCIAL APPLIANCE SERVICE, INC.

281 LATHROP WAY, #100
SACRAMENTO, CA 95815
(916) 567-0203
(800) 464-2222
(916) 567-0324 FAX

COLORADO

GCS SERVICE INC.

SHERIDAN, CO
(303) 371-9054
800-972-5314
FAX: (303) 371-4754

HAWKINS COMMERCIAL APPLIANCE SERVICE

3000 S. WYANDOT ST.
ENGLEWOOD, CO 80110
(303) 781-5548
(800) 624-2117
FAX: (303) 761-5561
johns@hawkinscommercial.com

METRO APPLIANCE SERVICE

1640 S BROADWAY
DENVER, CO 80210
(303) 778-1126
800-525-3532
FAX: (303) 778-0268
metroappls@aol.com

CONNECTICUT

GCS SERVICE INC.

HARTFORD, CT
(860) 549-5575
800-423-1562
FAX: (860) 527-6355

SUPERIOR KITCHEN SERVICE INC.

22 THOMPSON ROAD
WINDSOR, CT 06088
(888) 590-1899
(888) 590-1996 FAX

DELAWARE

FOOD SERVICE EQMT.

2101 PARKWAY SOUTH
BROOMALL, PA 19008
(610) 356-6900
FAX: (610) 356-2038
dancerule@aol.com

GCS SERVICE INC.

PHILADELPHIA, PA
(215)925-6217
800-441-9115
FAX: (215) 925-6208

ELMER SCHULTZ SERVICE

36 BELMONT AVE.
WILLMINGTON, DE 19804
(302) 655-8900
800-225-0599
FAX: (302) 656-3673
elmer2@erols.com

EMR SERVICE DIVISION

106 WILLIAMSPORT CIRCLE
SALISBURY, MD 21804
(410) 543-8197
FAX: (410) 548-4038

FLORIDA

COMMERCIAL APPLIANCE SERVICE

8416 LAUREL FAIR CIRCLE
BLDG 6, SUITE 114
TAMPA, FL 33610
(813) 663-0313
800-282-4718
FAX: (813) 663-0212
commercialappliance@world-net.att.net

GCS SERVICE INC

MIAMI, FL
(305) 621-6666
800-766-8966
FAX: (305) 621-6656

GCS SERVICE INC

ORLANDO, FL
(407) 841-2551
800-338-7322
FAX: (407) 423-8425

NASS PARTS AND SERVICE, INC.

1144 BELVILLE ROAD, UNIT 359
DAYTONA BEACH, FL 32114
(386) 226-2642
(800) 432-2795
(386) 736-7695 FAX

GCS SERVICE INC

TAMPA, FL
(813) 626-6044
800-282-3008
FAX: (813) 621-1174

SECTION 7: JACKSON MAINTENANCE & REPAIR CENTERS

FLORIDA TO MARYLAND

JONES-McLEOD APPLIANCE SVC

854 LAKESIDE DRIVE
MOBILE, AL 36693
(251) 666-7278
800-237-9859
FAX: (251) 661-0223
service@jones-mcleod.com

NASS PARTS AND SERVICE, INC.

1108 SOUTH WOODS AVENUE
ORLANDO, FL 32805
(407) 425-2681
(800) 432-2795
(407) 425-3463 FAX

NASS PARTS AND SERVICE, INC.

1376 HEIDE AVENUE
PALM BAY, FL 32907
(321) 952-2012
(800) 432-2795
(321) 953-0266 FAX

GEORGIA

GCS SERVICE INC

ATLANTA, GA
(770) 452-7322
800-334-3599
FAX: (770) 452-7473

HERITAGE FOODSERVICE

GROUP OF ATLANTA
2100 NORCROSS PKWY.
SUITE 130
NORCROSS, GA 30071
(770) 368-1465
866-388-9837
FAX: (866) 388-9838

WHALEY FOODSERVICE REPAIRS

109-A OWENS INDUSTRIAL DRIVE
SAVANNAH, GA 31405
(912) 447-0827
888-765-0036
FAX: (912) 447-0826

PIERCE PARTS & SERVICE

2422 ALLEN ROAD
MACON, GA 31216
(478) 781-6003
800-368-2512
FAX: (478) 781-7186

HAWAII

FOOD EQMT. PARTS & SERVICE CO.

300 PUUHALE RD.
HONOLULU, HI 96819
(808) 847-4871
FAX: (808) 842-1560
fepsco@hula.net

IDAHO

RESTAURANT APPLIANCE SVC.

7219 ROOSEVELT WAY NE
SEATTLE, WA 98115
(206) 524-8200
800-433-9390
FAX: (206) 525-2890
info@restappl.com

RON'S SERVICE

703 E 44TH STREET STE 10
GARDEN CITY, ID 83714
(208) 375-4073
FAX: (208) 375-4402

ILLINOIS

CONES REPAIR SVC.

2408 40TH AVE.
MOLINE, IL 61265
(309) 797-5323
800-716-7070
FAX: (309) 797-3631
jackb@cones.com

EICHENAUER SERVICES INC.

130 S OAKLAND ST.
DECATUR, IL 62522
(217) 429-4229
800-252-5892
FAX: (217) 429-0226
esi@esiquality.com

GCS SERVICE INC.

ELMHURST, IL
(630) 941-7800
800-942-9689
FAX: (630) 941-6048

GCS SERVICE INC.

ST. LOUIS, MO
(314) 683-7444
800-284-4427
FAX: (314) 638-0135

GENERAL PARTS, INC.

248 JAMES STREET
BENSONVILLE, IL 60106
(630) 595-3300
(800) 880-3604
FAX: (630) 595-0006

INDIANA

GCS SERVICE INC.

INDIANAPOLIS, IN
(317) 545-9655
800-727-8710
FAX: (317) 549-6286

B622 LA PAS TRAIL

INDIANAPOLIS, IN 46268
(317) 290-8060
(800) 410-9794
(317) 290-8085 FAX

IOWA

GOODWIN TUCKER GROUP

2900 DELAWARE AVENUE

DES MOINES, IA 50317
(515) 262-9308
800-372-6066
FAX: (515) 262-2936
parts@goodwintucker.com

CONES REPAIR SVC.

1056 27TH AVENUE SW
CEDAR RAPIDS, IA 52404
(319) 365-3325
800-747-3326
FAX: (319) 365-0885

KANSAS

GCS SERVICE INC.

KANSAS CITY, MO
(816) 920-5999
800-229-6477
FAX: (816) 920-7387

GENERAL PARTS, INC.

1101 E. 13TH STREET
KANSAS CITY, MO 64106
(816) 421-5400
(800) 279-9967
(816) 421-1270 FAX

KENTUCKY

CERTIFIED SERVICE CENTER

127 DISHMAN LANE
BOWLING GREEN, KY 42101
(270) 783-0012
(877) 907-0012
FAX: (270) 783-0058

CERTIFIED SERVICE CENTER

RAMCO BUSINESS PARK

4283 PRODUCE ROAD
LOUISVILLE, KY 40218
(502) 964-7007
800-637-6350
FAX: (502) 964-7202
cwalker@certifiedsc.com
droenigk@certifiedsc.com

CERTIFIED SERVICE CENTER

1051 GOODWIN DRIVE
LEXINGTON, KY 40505
(606) 254-8854
800-432-9269
FAX: (606) 231-7781
jatkens@certifiedsc.com

GCS SERVICE INC.

LOUISVILLE, KY
(502) 367-1788
800-752-6160
FAX: (502) 367-0400

GCS SERVICE INC.

LEXINGTON, KY
(606) 255-0746
800-432-9260
FAX: (606) 255-0748

LOUISIANA

HERITAGE SERVICE GROUP

1532 RIVER OAKS WEST
NEW ORLEANS, LA 70123
(504) 734-8864
(800) 499-2351
(504) 733-2559 FAX

MAINE

GCS SERVICE INC.

CHELSEA, MA
(617) 889-9393
800-225-1155
FAX: (617) 889-1222

MASSACHUSETTS RESTAURANT SUPPLY

34 SOUTH STREET
SOMERVILLE, MA 02143
(617) 868-1930
800-338-6737
FAX: (617) 686-5331

PINE TREE FOOD EQUIPMENT

175 LEWISTON ROAD
GRAY, ME 04039
(207) 657-6400
(800) 540-5427
(207) 657-5464 FAX

MARYLAND

EMR SERVICE DIVISION

700 EAST 25TH STREET
BALTIMORE, MD 21218
(410) 467-8080
800-879-4994
FAX: (410) 467-4191
baltparts@emrco.com

SECTION 7: JACKSON MAINTENANCE & REPAIR CENTERS

MARYLAND TO NEW YORK

EMR SERVICE DIVISION
106 WILLIAMSPORT CIRCLE
SALISBURY, MD 21804
(410) 543-8197
888-687-8080
FAX: (410) 548-4038
baltparts@emrco.com

EMR SERVICE DIVISION

5316 Sunnyside Ave.
Beltsville, MD 20715
(301) 931-7000
800-348-2365
FAX: (301) 931-3060
baltparts@emrco.com

GCS SERVICE INC.

SILVER SPRING, MD
(301) 585-7550 (DC)
(410) 792-0338 (BALT)
(800) 638-7278
FAX: (301) 495-4410

MASSACHUSETTS

ACE SERVICE CO.

95 HAMPTON AVE.
NEEDHAM, MA 02494
(781) 449-4220
800-225-4510 MA & NH
FAX: (781) 444-4789
taceservice@aol.com

**MASSACHUSETTS RESTAU-
RANT SUPPLY**

34 SOUTH STREET
SOMERVILLE, MA 02143
(617) 868-1930
800-338-6737
FAX: (617) 868-5331

GCS SERVICE INC.

CHELSEA, MA
(617) 889-9393
800-225-1155
FAX: (617) 889-1222

GCS SERVICE INC.

HARTFORD, CT
(860) 549-5575
800-723-1562
FAX: (860) 527-6355

**SUPERIOR KITCHEN SER-
VICE INC.**

399 FERRY STREET
EVERETT, MA 02149
(617) 389-1899
(888) 590-1899
(617) 389-1996 FAX

MICHIGAN

GCS SERVICE INC.

LIVONIA, MI
(248) 426-9500
800-772-2936
FAX: (248) 426-7555

**JACKSON SERVICE COMPA-
NY**

3980 BENSTEIN RD.
COMMERCE TWSHP, MI 48382
(248) 363-4159
800-332-4053
FAX: (248) 363-5448

GCS SERVICE INC.

GRAND RAPIDS, MI
(616) 241-0200
800-823-4866
FAX: (616) 241-0541

MINNESOTA

GCS SERVICE INC.

MINNEAPOLIS, MN
(612) 546-4221
800-345-4221
FAX: (612) 546-4286

GENERAL PARTS, INC.

11311 HAMPSHIRE AVENUE
SOUTH
BLOOMINGTON, MN 55438-
2456
(952) 944-5800
(800) 279-9980
(800) 279-9980 FAX

MISSISSIPPI

GCS SERVICE INC.

JACKSON, MS
(601) 956-7800
800-274-5954
FAX: (601) 956-1200

GCS SERVICE INC.

MEMPHIS, TN
(901) 366-4587
800-262-9155
FAX: (901) 366-4588

MISSOURI

GCS SERVICE INC.

KANSAS CITY, MO
(816) 920-5999
800-229-6477
FAX: (816) 920-7387

GCS SERVICE INC.

ST. LOUIS, MO
(314) 638-7444
800-284-4427
FAX: (314) 638-0135

KAEMMERLIN PARTS & SVC.

2728 LOCUST STREET
ST. LOUIS, MO 63103
(314) 535-2222
FAX: (314) 535-6205
petek@kps.stl.com

GENERAL PARTS, INC.

1101 EAST 13TH STREET
KANSAS CITY, MO 64106
(816) 421-5400
(800) 279-9967
(816) 421-1270 FAX

MONTANA

**RESTAURANT APPLIANCE
SVC.**

7219 ROOSEVELT WAY NE
SEATTLE, WA 98115
(206) 524-8200
800-433-9390
FAX: (206) 525-2890
info@restappl.com

NEBRASKA

GOODWIN - TUCKER GROUP

7535 D STREET
OMAHA, NE 68124
(402) 397-2880
800-228-0342
FAX: (402) 397-2881
askme@goodwintucker.com

NEVADA

**HI TECH COMMERCIAL SER-
VICE**

1840 STELLA LAKE STREET
NORTH LAS VEGAS, NV 89106
(702) 649-4616
(877) 924-4832
FAX: (702) 649-4607
larry@hitechnv.com

5454 LOUIE LANE
RENO, NV 89511
(775) 852-9696
FAX: (775) 852-5104

GCS SERVICE INC.

LAS VEGAS, NV
(702) 450-3495
800-500-9060
FAX: (702) 450-3491

NEW HAMPSHIRE

GCS SERVICE INC.

CHELSEA, MA
(617)889-9393
800-225-1155
FAX: (617) 889-1222

ACE SERVICE CO.

95 HAMPTON AVE.
NEEDHAM, MA 02494
(781) 449-4220
800-225-4510 MA & NH
FAX: (781) 444-4789
taceservice@aol.com

**MASSACHUSETTS RESTAU-
RANT SUPPLY**

34 SOUTH STREET
SOMERVILLE, MA 02143
(617) 868-1930
800-338-6737
FAX: (617) 868-5331

NEW JERSEY

JAY HILL REPAIRS

90 CLINTON RD.
FAIRFIELD, NJ 07004
(973) 575-9145
800-836-0643
FAX: (973) 575-5890
jhrepair@aol.com

GCS SERVICE INC.

EAST RUTHERFORD, NJ
(973) 614-0003
800-399-8294
FAX: (973) 614-0230

GCS SERVICE INC.

PHILADELPHIA, PA
(215) 925-6217
800-441-9115
FAX: (215) 925-6208

ELMER SCHULTZ SERVICES

201 W. WASHINGTON AVE.
PLEASANTVILLE, NJ 08232
(609) 641-0317
800-378-1641
FAX:(609) 641-8703
elmer2@erols.com

NEW YORK

**APPLIANCE INSTALLATION
AND SERVICE CORP.**

1336 MAIN STREET
BUFFALO, NY 14209
(716) 884-7425
800-722-1252
FAX: (716) 884-0410
ais@worldnet.att.net

SECTION 7: JACKSON MAINTENANCE & REPAIR CENTERS

NEW YORK TO PENNSYLVANIA

B.E.S.T. INC.

3003 GENESEE STREET
BUFFALO, NY 14225
(716) 893-6464
800-338-5011
FAX: (716) 893-6466
bestserv@aol.com

DUFFY'S EQUIPMENT SVC.

3138 ONEIDA STREET
SAUQUOIT, NY 13456
(315) 737-9401
800-443-8339
FAX: (315) 737-7132
duffyequip@aol.com

NORTHERN PARTS & SVC.

21 NORTHERN AVENUE
PLATTSBURGH, NY 12903
(518) 563-3200
800-634-5005
FAX: (800) 782-5424
info@northernparts.com

GCS SERVICE INC.

BROOKLYN, NY
(718) 486-5220
800-969-4271
FAX: (718) 486-6772

ALL SERVICE KITCHEN

EQUIPMENT REPAIR
10 CHARLES ST.
NEW HYDE PARK, NY 11040
(516) 378-1176
FAX: (516) 378-1735

ALL ISLAND REPAIRS

40-9 BURT DRIVE
DEER PARK, NY 11729
(631) 242-5588
FAX: (631) 242-6102

NORTH CAROLINA

AUTHORIZED APPLIANCE SERVICECENTER

1020 TUCKASEEGEE RD.
CHARLOTTE, NC 28208
(704) 377-4501
(800) 532-6127
FAX:(704) 377-4504

AUTHORIZED APPLIANCE SERVICECENTER

800 N. PERSON ST.
RALEIGH, NC 27604
(919) 834-3476
FAX:(919) 834-3477

AUTHORIZED APPLIANCE SERVICECENTER

904 S. MARSHALL ST.
WINSTON-SALEM, NC 27403
(336) 725-5396
FAX:(336) 721-1289

AUTHORIZED APPLIANCE SERVICECENTER

104 HINTON AVE.
WILMINGTON, NC 28403
(910) 313-1250
FAX:(910) 313-6130

WHALEY FOODSERVICE

8334-K ARROWRIDGE BLVD
CHARLOTTE, NC 28273
(704) 529-6242
FAX: (704) 529-1558
info@whaleyfoodservice.com

WHALEY FOODSERVICE REPAIRS

203-D CREEK RIDGE RD.
GREENSBORO, NC 27406
(336) 333-2333
FAX: (336) 333-2533
info@whaleyfoodservice.com

WHALEY FOODSERVICE REPAIRS

335-105 SHERWEE DRIVE
RALEIGH, NC 27603
(919) 779-2266
FAX: (919) 779-2224
info@whaleyfoodservice.com

WHALEY FOODSERVICE REPAIRS

6418-101 AMSTERDAM WAY
WILMINGTON, NC 28405
(910) 791-0000
FAX: (910) 791-6662
info@whaleyfoodservice.com

NORTH DAKOTA

GCS SERVICE INC.

MINNEAPOLIS, MN
(612) 546-4221
800-345-4221
FAX: (612) 546-4286

GENERAL PARTS, INC.

10 SOUTH 18TH STREET
FARGO, ND 58103
(701) 235-4161
(800) 279-9987
(701) 235-0539 FAX

OHIO

CERTIFIED SERVICE CENTER

890 REDNA TERRACE
CINCINNATI, OH 45215
(513) 772-6600
800-543-2060
FAX: (513) 612-6600
sbarasch@certifiedsc.com

CERTIFIED SERVICE CENTER

171J-K NORTH HAMILTON RD.
COLUMBUS, OH 43213
(614) 751-3769
(866) 862-1252
FAX: (614) 751-5792
jadkins@certifiedsc.com

CERTIFIED SERVICE CENTER

6025 N. DIXIE DRIVE
DAYTON, OH 45414
(937) 898-4040
(800) 257-2611
FAX: (937) 898-4177
dharvey@certifiedsc.com

COMMERCIAL PARTS & SVC. OF COLUMBUS

5033 TRANSAMERICA DRIVE
COLUMBUS, OH 43228
(614) 221-0057
800-837-8327
FAX: (614) 221-3622

GCS SERVICE INC.

COLUMBUS, OH
(614) 476-3225
800-282-5406
FAX: (614) 476-1196

ELECTRICAL APPLIANCE REPAIR SVC.

5805 VALLEY BELT ROAD
CLEVELAND, OH 44131
(216) 459-8700
800-621-8259
FAX: (216) 459-8707
tomr@electapprep.com

OKLAHOMA

HAGAR RESTAURANT EQMT.

1229 W MAIN STREET
OKLAHOMA CITY, OK 73106
(405) 235-2184
800-445-1791
FAX: (405) 236-5592

OREGON

RON'S SERVICE

16364 SW 72ND AVE
PORTLAND, OR 97224
(503) 624-0890
800-851-4118
FAX: (503) 684-6107
robinson@ronsservice.com

PENNSYLVANIA

A.I.S. COMMERCIAL PARTS & SERVICE

1816 WEST 26TH STREET
ERIE, PA 16508
(814) 456-3732
800-332-3732
FAX: (814) 452-4843
aiserie@aol.com

ELMER SCHULTZ SVC.

540 NORTH 3RD STREET
PHILADELPHIA, PA 19123
(215) 627-5400
FAX: (215) 627-5408
elmer2@erols.com

GCS SERVICE INC.

PHILADELPHIA, PA
(215) 925-6217
800-441-9115
FAX: (215) 925-6208

GCS SERVICE INC.

HARRISBURG, PA
(717) 564-3282
800-367-3225
FAX: (717) 564-9286

GCS SERVICE INC.

PITTSBURGH, PA
(412) 787-1970
800-738-1221
FAX: (412) 787-5005

K & D PARTS AND SERVICE CO.

1833-41 N CAMERON STREET
HARRISBURG, PA 17103
(717) 236-9039
800-932-0503
FAX: (717) 238-4367
kdparts-service@paonline.com

CLARK SERVICE & PARTS

306 AIRPORT DRIVE
BOX 10
SMOKETOWN, PA 17576
(717) 392-5590
(717) 392-5735

SECTION 7: JACKSON MAINTENANCE & REPAIR CENTERS

RHODE ISLAND TO WISCONSIN

RHODE ISLAND

GCS SERVICE INC.
EAST PROVIDENCE, RI
(401) 434-6803
800-462-6012
FAX: (401) 438-9400

SUPERIOR KITCHEN SERVICE INC.

669 ELMWOOD AVENUE
PROVIDENCE, RI 02907
(888) 590-1899
(401) 781-1996 FAX

SOUTH CAROLINA

AUTHORIZED APPLIANCE SERVICECENTER

1811 TAYLOR ST.
COLUMBIA, SC 29202
(803) 254-8414
FAX: (803) 254-5146

AUTHORIZED APPLIANCE SERVICECENTER

2249 AUGUSTA RD.
GREENVILLE, SC 29605
(864) 235-9616
FAX: (864) 235-9623

WHALEY FOODSERVICE REPAIRS

I 26&US1
P.O. BOX 4023
WEST COLUMBIA, SC 29170
(803) 791-4420
800-877-2662
FAX: (803) 794-4630
info@whaleyfoodservice.com

WHALEY FOODSERVICE REPAIRS

748 CONGAREE ROAD
GREENVILLE, SC 29607
(864) 234-7011
800-494-2539
FAX: (864) 234-6662
info@whaleyfoodservice.com

WHALEY FOODSERVICE REPAIRS

1406-C COMMERCE PL.
MYRTLE BEACH, SC 29577
(843) 626-1866
FAX: (843) 626-2632
info@whaleyfoodservice.com

WHALEY FOODSERVICE REPAIRS

4740-A FRANCHISE STREET
N. CHARLESTON, SC 29418
(843) 760-2110
FAX: (843) 760-2255
info@whaleyfoodservice.com

SOUTH DAKOTA

GCS SERVICE INC.

MINNEAPOLIS, MN
(612) 546-4221
800-345-4221
FAX: (612) 546-4286

GENERAL PARTS, INC.

10 SOUTH 18TH STREET
FARGO, ND 58103
(701) 235-4161
(800) 279-9987
(701) 235-0539 FAX

TENNESSEE

GCS SERVICE INC.

MEMPHIS, TN
(901) 366-4587
800-262-9155
FAX: (901) 366-4588

GCS SERVICE INC.

NASHVILLE, TN
(615) 244-8050
800-831-7174
FAX: (615) 244-8885

TEXAS

ARMSTRONG REPAIR CENTER

5110 GLENMOUNT DRIVE
HOUSTON, TX 77081
(713) 666-7100
800-392-5325
FAX: (713) 661-0520
gm@armstrongrepair.com

COMMERCIAL KITCHEN REPAIR CO.

1377 N BRAZOS
P.O BOX 831128
SAN ANTONIO, TX 78207
(210) 735-2811
800-292-2120
FAX: (210) 735-7421
brock@commercialkitchen.com

GCS SERVICE INC.

DALLAS, TX
(972) 484-2954
800-442-5026
FAX: (972) 484-2531

GCS SERVICE INC.

HOUSTON, TX
(713)785-9187
800-868-6957
FAX: (713) 785-3979

GCS/STOVE PARTS

2120 SOLANA STREET
FORT WORTH, TX 76117
(817) 831-0381
800-433-1804
FAX: (817) 834-7754
bud@stoveparts.com

UTAH

LA MONICA'S RESTAURANT EQMT. SVC.

6182 SOUTH STRATLER
AVENUE
MURRAY, UT 84107
(801) 263-3221
800-527-2561
FAX: (801) 263-3229
lamonica81@aol.com

VERMONT

NORTHERN PARTS & SVC.

4874 S. CATHERINE STREET
PLATTSBURGH, NY 12901
(518) 563-3200
800-634-5005
FAX: (800) 782-5424
info@northernparts.com

GCS SERVICE INC.

CHELSEA, MA
(617)889-9393
800-225-1155
FAX: (617) 889-1222

VIRGINIA

DAUBERS, INC.

7645 DYNATECH COURT
SPINGFIELD, VA 22153
(703) 866-3600
800-554-7788
FAX: (703) 866-4071
daubers@aol.com

GCS SERVICE INC.

SILVER SPRING, MD
(301) 585-7550(DC)
(410) 792-0388(BALT)
800-638-7278
FAX: (301)495-4410

GCS SERVICE INC.

RICHMOND, VA
(804) 672-1700
800-899-5949
FAX: (804) 672-2888

GCS SERVICE INC.

VIRGINIA BEACH, VA
(757) 464-3500
800-476-4278
FAX: (757) 464-4106

WASHINGTON

GCS SERVICE INC.

SEATTLE, WA
(206) 763-0353
800-211-4274
FAX: (206) 763-5943

RESTAURANT APPLIANCE SERVICE

7219 ROOSEVELT WAY, NE
SEATTLE, WA 98115
(206) 524-8200
800-433-9390
FAX: (206) 525-2890
info@restappl.com

WEST VIRGINIA

STATEWIDE SERVICE, INC.

603 MAIN AVE.
NITRO, WV 25143
(304) 755-1811
(800) 441-9739
FAX: (304) 755-4001
sws3182@aol.com

WISCONSIN

APPLIANCE SERVICE CENTER, INC.

2439 ATWOOD AVE
MADISON, WI 53704
(608) 246-3160
800-236-7440
FAX: (608) 246-2721
ascmad@execpc.com

APPLIANCE SERVICE CENTER, INC.

6843 W. BELOIT RD.
WEST ALLIS, WI 53219
(414) 543-6460
800-236-6460
FAX: (414) 543-6480
ascmil@execpc.com

APPLIANCE SERVICE CENTER

786 MORRIS AVE
GREEN BAY, WI 54304
(920) 496-9993
800-236-0871
FAX: (920) 496-9927
ascfox@execpc.com

SECTION 7: JACKSON MAINTENANCE & REPAIR CENTERS

WISCONSIN TO WYOMING/INTERNATIONAL

GENERAL PARTS, INC.

W223 N735 SARATOGA DRIVE
WAUKESHA, WI 53186
(262) 650-6666
(800) 279-9946
(262) 650-6660 FAX

WYOMING

HAWKINS COMMERCIAL APPLIANCE SERVICE

3000 S. WYANDOT ST.
ENGLEWOOD, CO 80110
(303) 781-5548
(800) 624-2117
FAX: (303) 761-5561
johns@hawkinscommercial.com

METRO APPLIANCE SERVICE

1640 S BROADWAY
DENVER, CO 80210
(303) 778-1126
800-525-3532
FAX: (303) 778-0268
metroappls@aol.com

INTERNATIONAL

GLOBAL PARTS AND SUPPLY

7758 NW 72ND ST
MIAMI, FL 33166
(305) 885-6353

H.D. SHELDON AND CO

19 UNION SQUARE, WEST
NEW YORK, NY 10003
(212) 627-1759
(212) 924-6920

CANADA

THE GARLAND GROUP

1177 KAMATO ROAD
MISSISSAUGA, ONTARIO L4W
1X4
(905) 206-8380
SALES
(905) 624-1419
FAX: (905) 624-1851
SERVICE
800-427-6668
FAX: 800-361-7745

March 13, 2007

